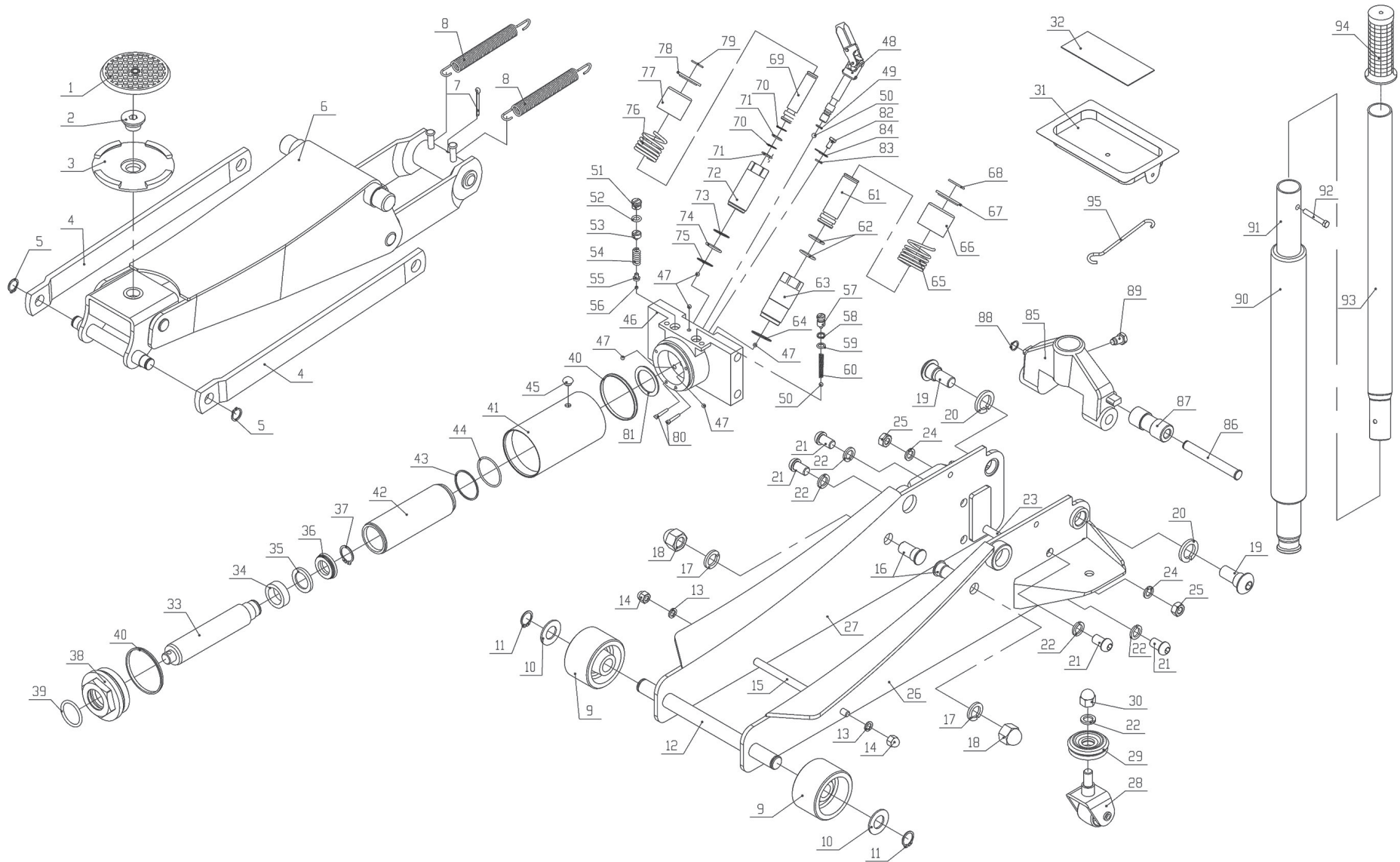




Parts Information:
Trolley Jack 3tonne Rocket Lift
Model No: 3040.V2 SERIES



Sealey Group, Kempson Way, Suffolk Business Park, Bury St Edmunds, Suffolk. IP32 7AR



01284 757500



01284 703534



sales@sealey.co.uk



www.sealey.co.uk



Parts Information: Trolley Jack 3tonne Rocket Lift Model No: 3040.V2 SERIES

| Item | Part No. | Description |
|------|-----------|--|
| 1 | 4040A.01 | Saddle Pad |
| 2 | 4040A.02 | Saddle Pin |
| 3 | 4040A.03 | Saddle |
| 4 | 4040A.04 | Radius Link |
| 5 | 4040A.05 | Snap Ring |
| 6 | 3040AB.06 | Lifting Arm Assembly 'Black' (3040AB only) |
| 6 | 3040AG.06 | Lifting Arm Assembly 'Green' (3040AG only) |
| 6 | 3040AO.06 | Lifting Arm Assembly 'Orange' (3040AO only) |
| 6 | 3040AR.06 | Lifting Arm Assembly 'Red' (3040AR only) |
| 6 | 3040AY.06 | Lifting Arm Assembly 'Yellow' (3040AY only) |
| 7 | 4040A.07 | Split Pin |
| 8 | 4040A.08 | Return Spring |
| 9 | 3040AB.09 | Front Wheel 'Black' (3040AB only) |
| 9 | 3040AG.09 | Front Wheel 'Green' (3040AG only) |
| 9 | 3040AO.09 | Front Wheel 'Orange' (3040AO only) |
| 9 | 3040AR.09 | Front Wheel 'Red' Assembly (3040AR only) |
| 9 | 3040AY.09 | Front Wheel 'Yellow' (3040AY only) |
| 10 | 3040A.10 | Sealing Ring |
| 11 | 3040A.11 | Ext Circlip 20.2mm OD. |
| 12 | 3040A.12 | Front Axle |
| 13 | 3040A.13 | Lock Washer |
| 14 | 3040A.14 | Domed Nut |
| 15 | 3040A.15 | Frame Rod |
| 16 | 4040A.15 | Radius Link Stud |
| 17 | 4040A.16 | Lock Washer |
| 18 | 4040A.17 | Domed Nut |
| 19 | 3040A.29 | Button Head Socket Screw |
| 20 | 4040A.19 | Lock Washer |
| 21 | 4040A.20 | Button Head Socket Screw |
| 22 | SWM12.S | Spring Washer M12 Zinc (single) |
| 23 | 3040A.30 | Frame Rod |
| 24 | 4040A.88 | Lock Washer |
| 25 | 3040A.27 | Nut |
| 26 | 3040A.22 | Side Frame, Right |
| 27 | 3040A.21 | Side Frame, Left |
| 28 | 4040AB.26 | Castor Wheel Assembly 'Black' (3040AB only) |
| 28 | 4040AG.26 | Castor Wheel Assembly 'Green' (3040AG only) |
| 28 | 4040AO.26 | Castor Wheel Assembly 'Orange' (3040AO only) |
| 28 | 4040AR.26 | Castor Wheel Assembly 'Red' |
| 28 | 4040AY.26 | Castor Wheel Assembly 'Yellow' (3040AY only) |
| 29 | 4040A.27 | Bearing Race Assembly |
| 30 | 4040A.28 | Domed Nut |
| 31 | 3040A.31 | Tool Tray c/w Part 32 |

| Item | Part No. | Description |
|------|-----------|--------------------------------|
| 32 | 4040A.30 | Magnetic Rubber Pad |
| 33 | 3040A.33 | Ram Plunger Assembly |
| 34 | 3040A.34 | Bushing Cover |
| 35 | 3040A.35 | Back-Up Washer |
| 36 | 3040A.36 | U-Cup Seal |
| 37 | 3040A.37 | Retaining Ring |
| 38 | 3040A.38 | Top Nut |
| 39 | 3040A.39 | O-Ring |
| 40 | 3040A.40 | Sealing Ring |
| 41 | 3040A.41 | Reservoir |
| 42 | 3040A.42 | Cylinder |
| 43 | 3040A.43 | Back-Up Washer |
| 44 | 3040A.44 | O-Ring |
| 45 | 4040A.43 | Oil Filler Plug |
| 46 | 3040A.46 | Base Plate |
| 47 | 4040A.45 | Steel Ball |
| 48 | 3040A.48N | Release Valve Assembly |
| 49 | 4040A.48 | O-Ring |
| 50 | 4040A.49 | Steel Ball |
| 51 | 4040A.50 | Guide Screw |
| 52 | 4040A.51 | O-Ring |
| 53 | 4040A.52 | Safety Valve Screw |
| 54 | 4040A.53 | Valve Spring |
| 55 | 4040A.54 | Valve |
| 56 | 4040A.55 | Steel Ball |
| 57 | 4040A.56 | Bolt |
| 58 | 4040A.57 | Back-Up Washer |
| 59 | 4040A.58 | O-Ring |
| 60 | 4040A.59 | Spring |
| 61 | 4040A.60 | Pump Piston (Large) |
| 62 | 4040A.61 | O-Ring (Piston Pump 'Large') |
| 63 | 4040A.62 | Pump Cylinder (Large) |
| 64 | 4040A.63 | Washer (Pump Cylinder 'Large') |
| 65 | 3040A.65 | Spring (Pump Core 'Large') |
| 66 | 4040A.65 | Pump Core (Large) |
| 67 | 3040A.67 | Spring Cover Plate |
| 68 | 4040A.67 | Snap Ring |
| 69 | 4040A.68 | Pump Piston (Small) |
| 70 | 4040A.69 | Back-Up Washer |
| 71 | 4040A.70 | O-Ring (Pump Piston 'Small') |
| 72 | 4040A.71 | Pump Cylinder (Small) |
| 73 | 4040A.72 | Back-Up Washer |
| 74 | 4040A.73 | O-Ring (Pump Cylinder 'Small') |
| 75 | 4040A.74 | Washer (Pump Cylinder 'Small') |

NOTE: It is our policy to continually improve products and as such we reserve the right to alter data, specifications and component parts without prior notice.

IMPORTANT: No liability is accepted for incorrect use of product.

WARRANTY: Guarantee is 12 months from purchase date, proof of which will be required for any claim.

Sealey Group, Kempson Way, Suffolk Business Park, Bury St Edmunds, Suffolk. IP32 7AR



01284 757500



01284 703534



sales@sealey.co.uk



www.sealey.co.uk



Parts Information:
Trolley Jack 3tonne Rocket Lift
Model No: 3040.V2 SERIES

| Item | Part No. | Description |
|------|-----------|----------------------------|
| 76 | 4040A.75 | Spring (Pump Core 'Small') |
| 77 | 4040A.76 | Pump Core (Small) |
| 78 | 4040A.77 | Spring Cover Plate (Small) |
| 79 | 4040A.78 | Snap Ring |
| 80 | 4040A.79 | Strainer |
| 81 | 3040A.81 | Washer |
| 82 | 4040A.80 | Bolt |
| 83 | 4040A.81 | Lock Washer |
| 84 | 3040A.84 | Washer |
| 85 | 4040A.83N | Handle Socket |
| 86 | 4040A.84 | Handle Socket Pin |
| 87 | 4040A.85 | Handle Socket Roller |

| Item | Part No. | Description |
|------|-----------|--|
| 88 | 4040A.86 | Snap Ring |
| 89 | 4040A.87N | Handle Socket Bolt |
| 90 | 4040A.92 | Handle Sleeve |
| 91 | 4040A.89N | Lower Handle c/w Part 92 |
| 92 | 4040A.90N | Handle Screw |
| 93 | 4040A.91N | Upper Handle c/w Part 93 |
| 94 | 4040A.93 | Handle Grip |
| 95 | 4040A.94N | Hook |
| -- | 3040A.HU | Hydraulic Unit Complete (not shown) |
| -- | 3040A.RK | Repair Kit (not shown) |

NOTE: It is our policy to continually improve products and as such we reserve the right to alter data, specifications and component parts without prior notice.

IMPORTANT: No liability is accepted for incorrect use of product.

WARRANTY: Guarantee is 12 months from purchase date, proof of which will be required for any claim.

Sealey Group, Kempson Way, Suffolk Business Park, Bury St Edmunds, Suffolk. IP32 7AR



01284 757500



01284 703534



sales@sealey.co.uk



www.sealey.co.uk