



Figure can vary

Part no.: 50136772
DCR55M2/R2
Stationary 2D-code reader



Contents

- Technical data
- Dimensioned drawings
- Electrical connection
- Diagrams
- Notes

Technical data

Basic data	
Series	DCR 55
Functions	
Software functions	Reading of 1D codes Reading of 2D codes
Read data	
Code types, readable	2/5 Hong Kong 2/5 Interleaved 2/5 NEC 2/5 Straight Australian Post Aztec BC412 Canada Post Codabar Codablock F Code 11 Code 128 Code 32 Code 39 Code 49 Code 93 Data Matrix Code EAN/UPC GS1 Databar HanXin Intelligent Mail Japan Post KIX Code Korea Post QR code
Optical data	
Reading distance	30 ... 425 mm
LED group	Exempt group (in acc. with EN 62471:2008)
Camera resolution, horizontal	1,280 px
Camera resolution, vertical	960 px
Modulus size	0.127 ... 0.528 mm
Electrical data	
Protective circuit	
Performance data	
Supply voltage U_B	4.75 ... 5.25 V , DC
Current consumption, max.	425 mA
Inputs	
Number of digital switching inputs	1 Piece(s)
Switching inputs	
Digital switching input 1	
Function	Reading gate
Outputs	
Number of digital switching outputs	1 Piece(s)
Switching outputs	
Voltage type	DC
Switching output 1	
Switching element	Transistor , NPN

Part no.: 50136772 – DCR55M2/R2 – Stationary 2D-code reader
Interface

Type	RS 232
RS 232	
Function	Process
Transmission speed	9,600 ... 115,200 Bd
Data format	configurable

Connection

Number of connections	1 Piece(s)
-----------------------	------------

Connection 1

Function	Data interface Signal IN Signal OUT Voltage supply
Type of connection	Cable
Cable length	2,000 mm
Sheathing material	PUR
Cable color	Black
Number of conductors	6 -wire

Mechanical data

Design	Cubic
Dimension (W x H x L)	31.5 mm x 20 mm x 40.3 mm
Housing material	Metal , Diecast aluminum
Lens cover material	Plastic
Net weight	89 g
Housing color	Red Silver
Type of fastening	Mounting thread

Operation and display

Type of display	LED
Type of configuration	Software

Environmental data

Ambient temperature, operation	0 ... 50 °C
Ambient temperature, storage	-20 ... 60 °C
Relative humidity (non-condensing)	10 ... 90 %

Certifications

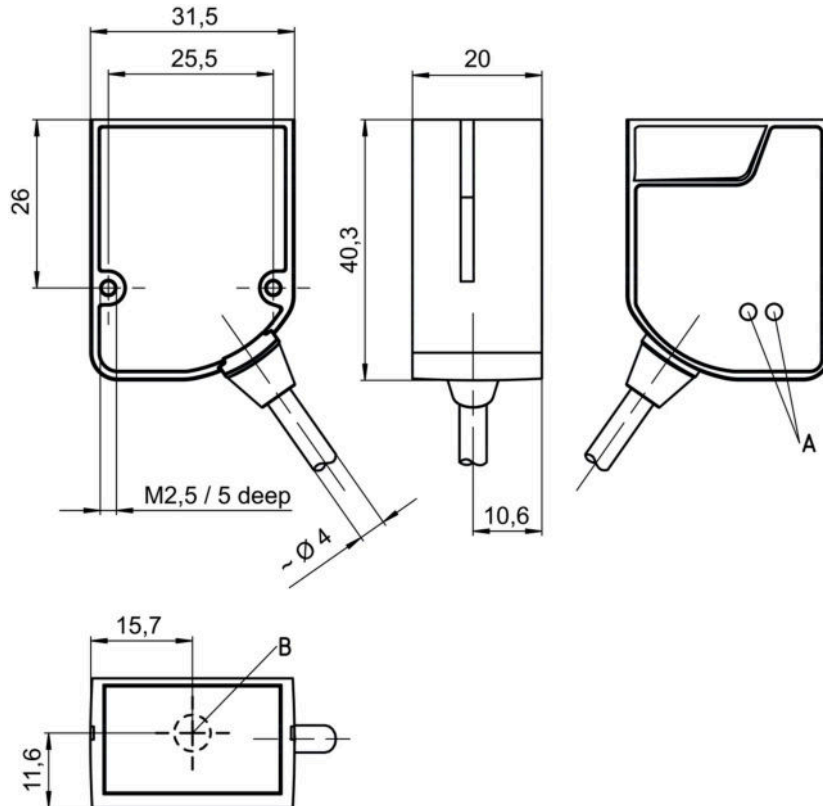
Degree of protection	IP 54
Certifications	c UL US FCC RoHS
Test procedure for EMC in accordance with standard	EN 61326-1

Classification

Customs tariff number	84719000
eCl@ss 8.0	27280103
eCl@ss 9.0	27280103
ETIM 5.0	EC002999

Dimensioned drawings

All dimensions in millimeters



A LED indicator
B Optical axis

Electrical connection

Connection 1	
Function	Data interface Signal IN Signal OUT Voltage supply
Type of connection	Cable
Cable length	2,000 mm
Sheathing material	PUR
Cable color	Black
Number of conductors	6 -wire
Wire cross section	

Conductor color	Conductor assignment
Red	V+
Violet	GND
Black	OUT 1
Orange	IN 1
White	RS 232 RxD
Green	RS 232 TxD

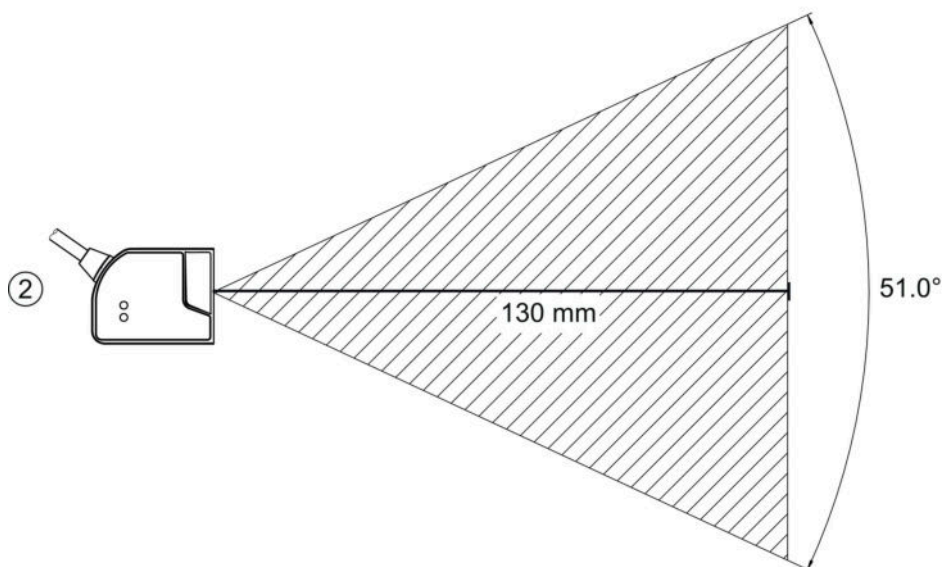
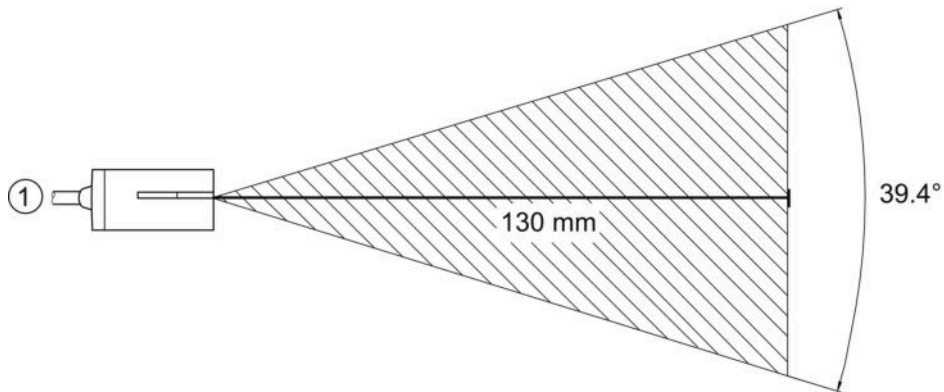
Diagrams

Reading distances

A	B	
Code 39 / 0,190mm (7,5mil)	50 (2,0)	245 (9,6)
GS1 Databar / 0,267mm (10,5mil)	35 (1,4)	225 (8,9)
UPC / 0,330mm (13mil)	40 (1,5)	370 (14,6)
PDF417 / 0,147mm (5,8mil)	85 (3,3)	155 (6,1)
PDF417 / 0,170mm (6,7mil)	65 (2,6)	175 (6,9)
Data Matrix / 0,127mm (5mil)	75 (3,0)	90 (3,5)
Data Matrix / 0,160mm (6,3mil)	70 (2,8)	135 (5,3)
Data Matrix / 0,254mm (10mil)	50 (2,0)	205 (8,1)
Data Matrix / 0,528mm (20,8mil)	30 (1,2)	425 (16,7)

- A Code type / resolution mm
 B Reading distance [mm] ([inch])

Reading field



- 1 Reading field, lateral
- 2 Reading field, top view

Notes**Observe intended use!**

- This product is not a safety sensor and is not intended as personnel protection.
- The product may only be put into operation by competent persons.
- Only use the product in accordance with its intended use.