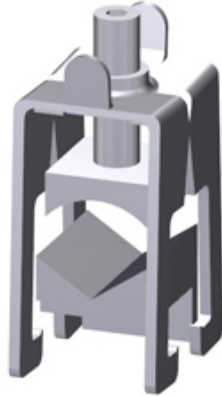


BUSBAR ADAPTER SYSTEM TERMINAL 150-300MM<sup>2</sup>  
FOR BUSBARS 20 X 5-30 X 10MM AS WELL AS FOR  
T- AND DOUBLE-T-PROFILE



## Model

product brand name	SENTRON
--------------------	---------

General Product Approval	Declaration of Conformity	Test Certificates
--------------------------	---------------------------	-------------------



CSA



GOST



UR



EG-Konf.

[Special Test Certificate](#)

Shipping Approval	other
-------------------	-------



GL



PRS



RINA

[other](#)

## Further information

**Information- and Downloadcenter (Catalogs, Brochures,...)**

<http://www.siemens.com/lowvoltage/catalogs>

**Industry Mall (Online ordering system)**

<https://eb.automation.siemens.com/mall/en/WW/Catalog/Product/8US19412AA02>

**Service&Support (Manuals, Certificates, Characteristics, FAQs,...)**

<http://support.automation.siemens.com/WW/view/en/8US19412AA02/all>

**Image database (product images, 2D dimension drawings, 3D models, device circuit diagrams, ...)**

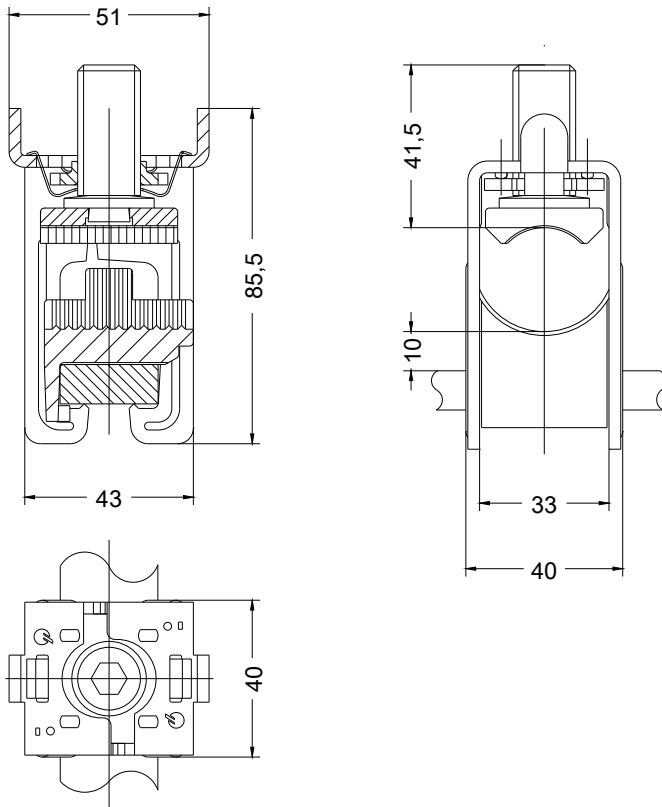
[http://www.automation.siemens.com/bilddb/cax\\_en.aspx?mlfb=8US19412AA02](http://www.automation.siemens.com/bilddb/cax_en.aspx?mlfb=8US19412AA02)

**Cx-Online-Generator**

<http://www.siemens.com/cax>

**Tender specifications**

<http://ausschreibungstexte.siemens.com/tiplv>



**last modified:**

11.03.2015