

92mm sq.

San Ace 92W

25mm thick(W/S type), 25mm thick(WP type)
38mm thick(WV type)



Model no. 9WP0912F401, 9WP0924S401 is not certified.

General Specifications

- Material Frame: Plastics (Flammability: UL94V-0),
Impeller: Plastics (Flammability: UL94V-0)
- Expected Life Refer to specifications (Indoor, L10:Survival rate: 90% at 60°C,
rated voltage, and continuously run in a free air state)
- Lead Wire ⊕red ⊖black or blue (Sensor) yellow
- Storage Temperature -30°C to +70°C (Non-condensing)

92×92×25mm (Mass : 120g) **IP 68** **WP**type

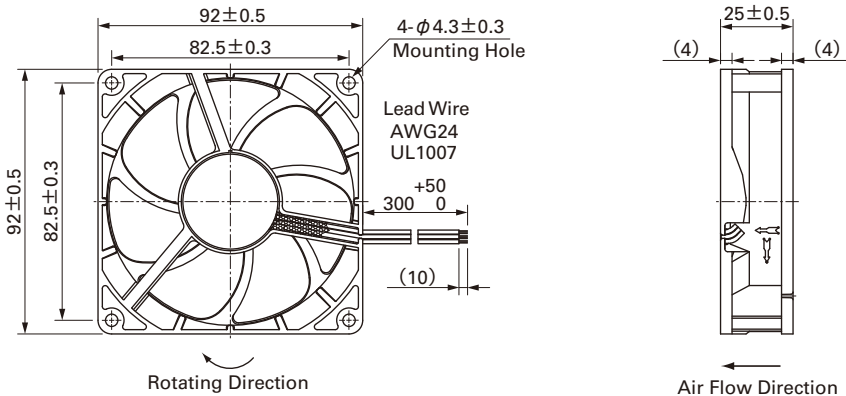
Specifications

The following nos. have pulse sensors and ribs.

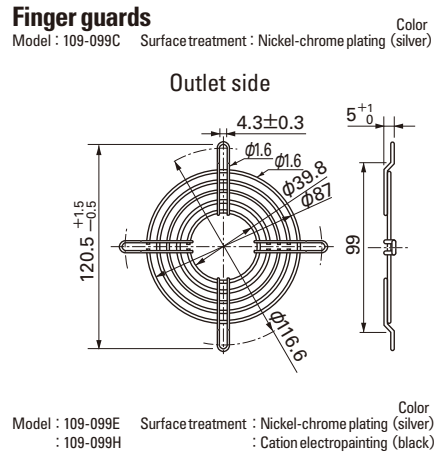
Model No.	Rated Voltage [V]	Operating Voltage Range [V]	Rated Current [A]	Rated Input [W]	Rated Speed [min ⁻¹]	Max. Air Flow [m ³ /min] [CFM]	Max. Static Pressure [Pa] [inchH ₂ O]	SPL [dB(A)]	Operating Temperature [°C]	Expected Life [h]		
9WP0912S401	12	6 to 13.8	0.27	3.24	3,550	1.66	58.6	57.7	0.231	-20 to +70	40,000	
9WP0912F401			0.14	1.68	2,650	1.24	43.8	32.2	0.129			
9WP0924G401			0.19	4.56	3,900	1.76	62.2	66.5	0.267			43
9WP0924S401	24	12 to 27.6	0.15	3.6	3,550	1.66	58.6	57.7	0.231			
9WP0924H401			0.1	2.4	3,150	1.45	51.2	44	0.177			33
9WP0924F401			0.08	1.92	2,650	1.24	43.8	32.2	0.129			30
9WP0924B401			0.05	1.20	2,000	0.90	31.8	18.0	0.072	23	-10 to +70	

- Available options: ⇒ Without Sensor
- Please inquire as the availability of these functions depend on the model. ⇒ Lock Sensor

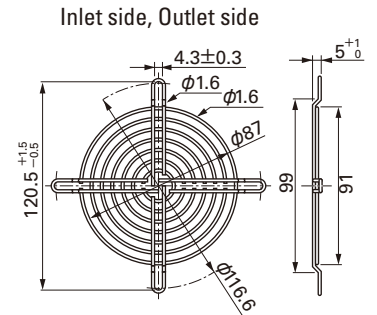
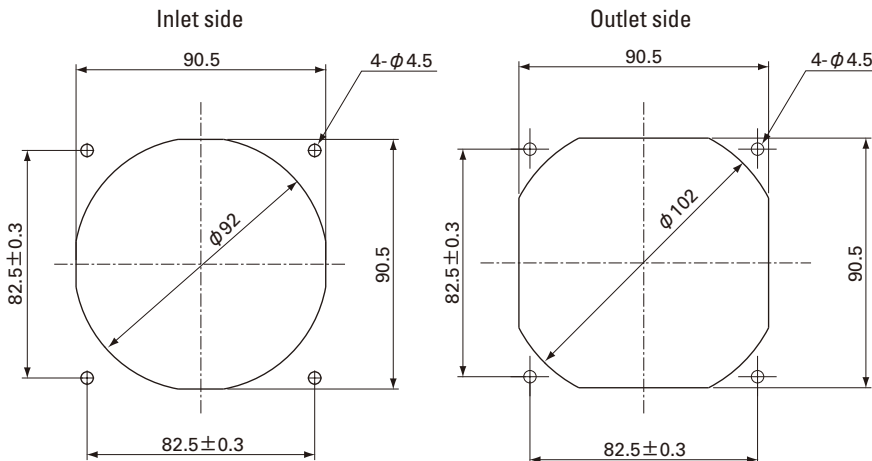
Dimensions (Unit : mm)



Options (Unit : mm)



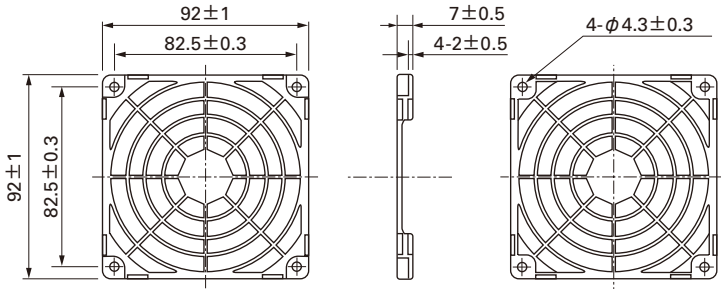
Reference dimension of mounting holes and vent opening (Unit : mm)



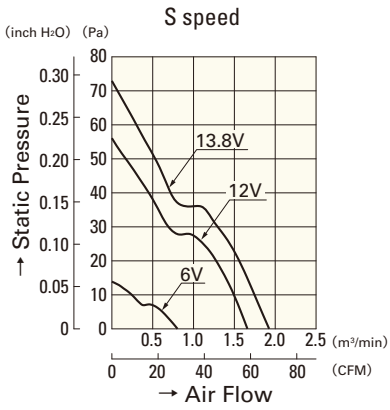
Options (Unit : mm)

Resin Finger guards

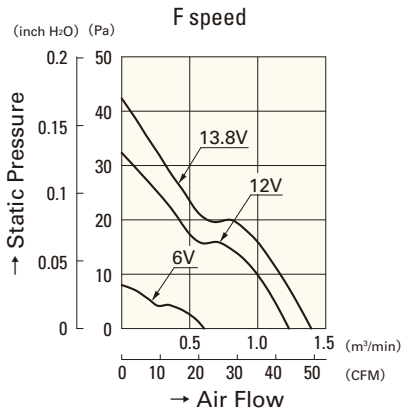
Model : 109-1001G



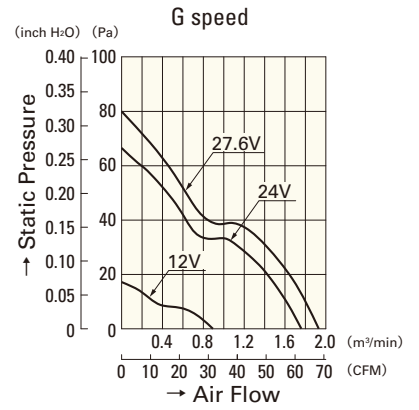
Air Flow - Static Pressure Characteristics



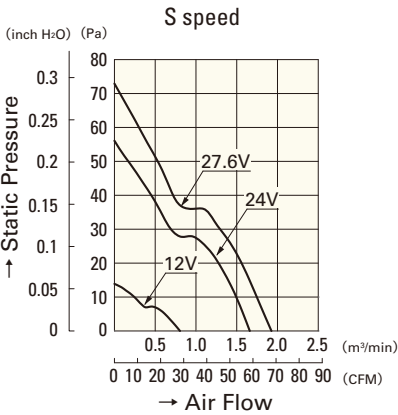
9WP0912S401



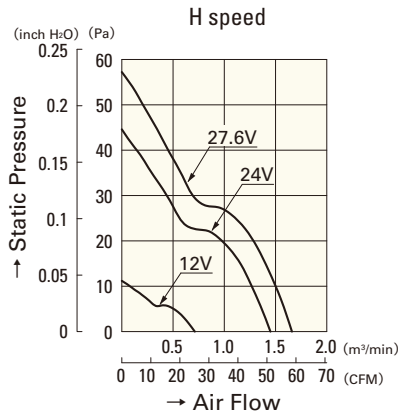
9WP0912F401



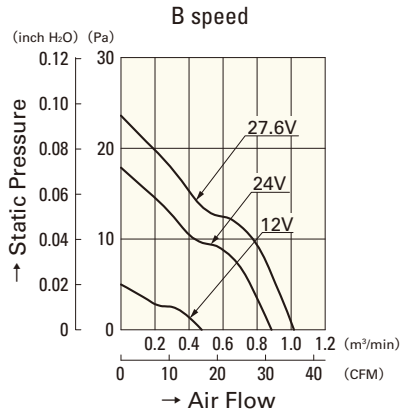
9WP0924G401



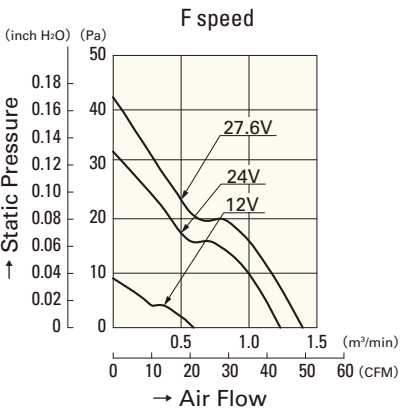
9WP0924S401



9WP0924H401



9WP0924B401



9WP0924F401