

4 Pole Metal Clad Enclosed Switch Disconnecter

multicomp PRO



Approvals	CB, CE & SEMKO
UL Standard	UL508
International/European Standard	IEC & EN 60947-1 and 3

DATA		Range	MCLB324PSTB	MCLB634PSTB	Units
Rated operational voltage Ue					
IEC & EN		Volts	690	690	V
UL		Volts	600	600	V
Main switch: Isolating voltage up to		Volts	750	750	V
Rated impulse withstand voltage Uimp		Volts	6	6	kV
Rated uninterrupted current Iu		Amps	25	40	A
Rated operational current Ie					
IEC & EN	AC-22A	Up to 690V	25	40	A
	AC-21A	Up to 690V	32	63	A
	AC-1	Up to 690V	32	63	A
Rated operational power AC-23A (50-60Hz)					
IEC & EN	3 Phase	230(240)V	11	22	kW
		400(415)V	15	30	kW
		690V	22	45	kW
Rated operational power AC-3 (50-60Hz)					
IEC & EN	3 Phase	230(240)V	7.5	15	kW
		400(415)V	11	18.5	kW
		690V	15	30	kW
UL Power Rating					
DOL	3 Phase	120V	3	5	hp
		240V	7.5	10	hp
		480V	15	20	hp
		600V	20	30	hp
	1 Phase	120V	1.5	3	hp
		240V	2	5	hp
UL Short Circuit Ratings					
Fuse rating, class J		Amps	45	70	A
Rated Fused short circuit current		Amps	10	10	kA
Short Circuit Capacity (IEC)					
Max fuse size (Type gl)		Amps	32	63	A
Rated Fused short circuit current		Amps	30	30	kA

Newark.com/multicomp-pro
 Farnell.com/multicomp-pro
 sg.element14.com/b/multicomp-pro

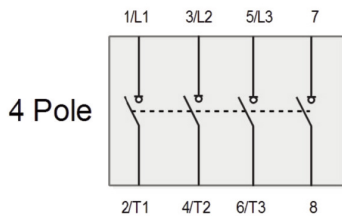
multicomp PRO

4 Pole Metal Clad Enclosed Switch Disconnecter

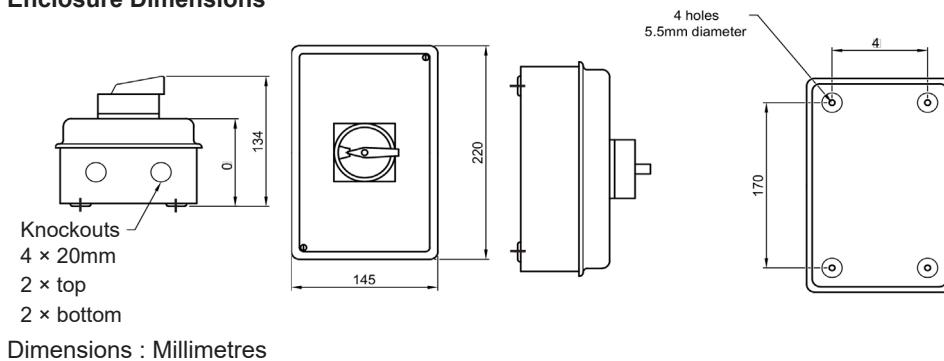
multicomp PRO

DATA	MCLB324PSTB	MCLB634PSTB	Units
Terminal Specification			
Single/ Multiple strand wire	2.5	2.5	Min-mm ²
	10	25	Max-mm ²
Fine strand with sleeve	0.75	2.5	Min-mm ²
	6	10	Max-mm ²
American wire gauge	10	6	AWG
Recommended Tightening Torque	1.7	2	Nm

Terminal Configurations



Enclosure Dimensions



Part Number Table

Description	Part Number
4 Pole Metal Clad Enclosed Switch Disconnecter, 32A	MCLB324PSTB
4 Pole Metal Clad Enclosed Switch Disconnecter, 63A	MCLB634PSTB

Important Notice : This data sheet and its contents (the "Information") belong to the members of the AVNET group of companies (the "Group") or are licensed to it. No licence is granted for the use of it other than for information purposes in connection with the products to which it relates. No licence of any intellectual property rights is granted. The Information is subject to change without notice and replaces all data sheets previously supplied. The Information supplied is believed to be accurate but the Group assumes no responsibility for its accuracy or completeness, any error in or omission from it or for any use made of it. Users of this data sheet should check for themselves the Information and the suitability of the products for their purpose and not make any assumptions based on information included or omitted. Liability for loss or damage resulting from any reliance on the Information or use of it (including liability resulting from negligence or where the Group was aware of the possibility of such loss or damage arising) is excluded. This will not operate to limit or restrict the Group's liability for death or personal injury resulting from its negligence. Multicomp Pro is the registered trademark of Premier Farnell Limited 2019.

Newark.com/multicomp-pro
Farnell.com/multicomp-pro
sg.element14.com/b/multicomp-pro

multicomp PRO