



Main

| | |
|------------------------------------|----------------------|
| Accessory / separate part category | Cabling accessory |
| Accessory / separate part type | Pre-wired connectors |
| Series name | General purpose |

Complementary

| | |
|--------------------------------|--------------------------------------|
| Electrical connection | Elbowed female connector M12, 4 pins |
| Cable connector fixing | Screw-on |
| Collar material | Metal |
| Status LED | Without |
| Cable length | 16.40 ft (5 m) |
| Cable outer diameter | 0.20 in (5.2 mm) |
| Cable composition | 4 x 0.34 mm ² |
| Wire insulation material | PUR |
| [Ue] rated operational voltage | 250 V AC 300 V DC |
| Line Rated Current | 4 A |
| Contact resistance | 5000 µOhm |
| Minimum insulating resistance | 1 GΩ |
| Net Weight | 0.42 lb(US) (0.19 kg) |

Environment

| | |
|---------------------------------------|---|
| IP degree of protection | IP65 IP67 IP69K |
| Product certifications | CULus |
| Ambient air temperature for operation | -40...176 °F (-40...80 °C) static 23...176 °F (-5...80 °C) flexing |
| Ambient air temperature for storage | -40...176 °F (-40...80 °C) |

Ordering and shipping details

| | |
|-----------------------|------------------------|
| Category | 22483 - MACHINE CABLES |
| Discount Schedule | DS3 |
| GTIN | 00785901763215 |
| Nbr. of units in pkg. | 1 |
| Package weight(Lbs) | 0.46 lb(US) (0.21 kg) |
| Returnability | Yes |
| Country of origin | CZ |

Packing Units

| | |
|------------------------------|--------------------------|
| Unit Type of Package 1 | PCE |
| Package 1 Height | 0.79 in (2 cm) |
| Package 1 width | 7.28 in (18.5 cm) |
| Package 1 Length | 7.48 in (19 cm) |
| Unit Type of Package 2 | S02 |
| Number of Units in Package 2 | 20 |
| Package 2 Weight | 7.64 lb(US) (3.464 kg) |
| Package 2 Height | 5.91 in (15 cm) |
| Package 2 width | 11.81 in (30 cm) |
| Package 2 Length | 15.75 in (40 cm) |
| Unit Type of Package 3 | P06 |
| Number of Units in Package 3 | 320 |
| Package 3 Weight | 149.08 lb(US) (67.62 kg) |
| Package 3 Height | 31.50 in (80 cm) |
| Package 3 width | 31.50 in (80 cm) |
| Package 3 Length | 23.62 in (60 cm) |

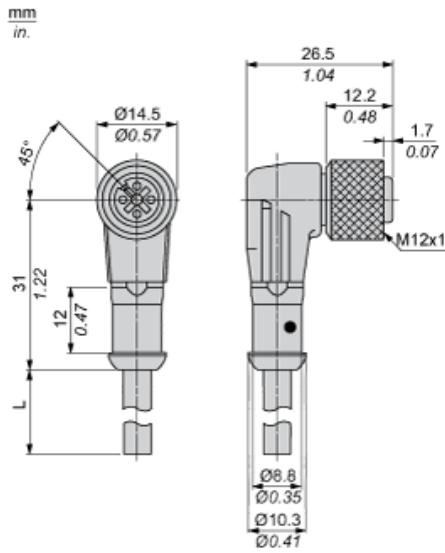
Offer Sustainability

| | |
|----------------------------|---|
| Sustainable offer status | Green Premium product |
| California proposition 65 | WARNING: This product can expose you to chemicals including: Diisononyl phthalate (DINP), which is known to the State of California to cause cancer, and Di-isodecyl phthalate (DIDP), which is known to the State of California to cause birth defects or other reproductive harm. For more information go to www.P65Warnings.ca.gov |
| REACH Regulation | REACH Declaration |
| EU RoHS Directive | Pro-active compliance (Product out of EU RoHS legal scope) EU RoHS Declaration |
| Mercury free | Yes |
| RoHS exemption information | Yes |
| Environmental Disclosure | Product Environmental Profile |
| Circularity Profile | End Of Life Information |

Contractual warranty

| | |
|----------|-----------|
| Warranty | 18 months |
|----------|-----------|

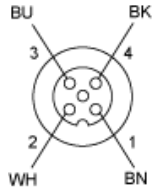
Dimensions



L : Length of cable

Connections and Schemes

Connector



BN : Brown
BK : Black
BU : Blue
WH : White