

## Line laser, green, 532 nm, 90 °, 5 mW

LE532-5-3-F-S(22x130)90  
Order Number: 70109665

| Main Parameters (*)   | min | typ | max | Unit |
|-----------------------|-----|-----|-----|------|
| Wavelength            |     | 532 |     | nm   |
| Optical Output Power  |     | 5   |     | mW   |
| Operating Voltage     | 2.7 | 3   | 3.3 | V DC |
| Operating Current     | 75  | 150 | 250 | mA   |
| Operating Temperature | 15  |     | 30  | °C   |
| Storage Temperature   | -40 |     | 80  | °C   |

### Main Data

Warranty 1 years

### Technical Parameters

Lifetime > 10,000 h  
RoHS yes

### Optical Parameters

|                    |                        |
|--------------------|------------------------|
| Beam Shape         | Line                   |
| Laser Class        | 1                      |
| Divergence         | E - 0.6 mrad           |
| Fan Angle          | 90 °                   |
| Line Thickness     | adjustable             |
| Operating Distance | 5 m                    |
| Optics             | glass lens AR coated   |
| Beam Mode          | TEM00                  |
| Laser technology   | Solid State (YVO4+KTP) |
| Stability          | +/- 20% @ 15-30°C      |
| Focus              | adjustable             |
| Warm up time       | < 15 min               |

### Electrical Parameters

Potential of Housing VDD(+)

### Mechanical Parameters

|                 |            |
|-----------------|------------|
| Size            | Ø22x130 mm |
| Material        | aluminium  |
| Output Aperture | 5 mm       |
| Housing Color   | black      |
| Weight          | 87 g       |

(\*) Over the complete operating temperature range

## Features

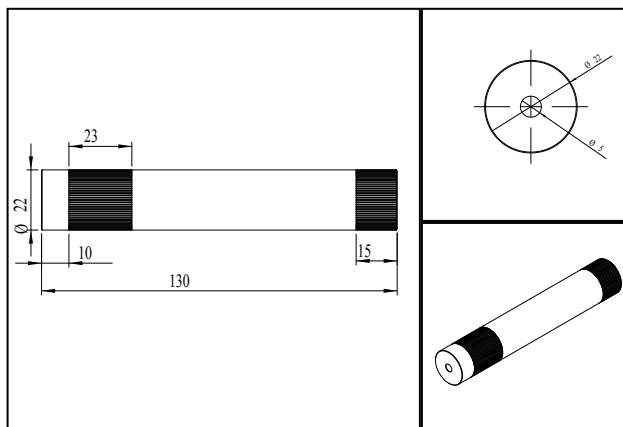


- Operating Voltage 3 V DC
- Compact size
- Laser Class 1
- With battery
- Adjustable focus

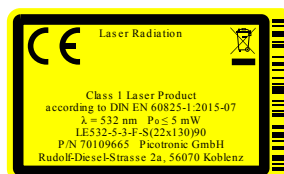
## Picture



## Drawing



## Safety Label



## Valid Revision

4 | 18-NOV-2021