

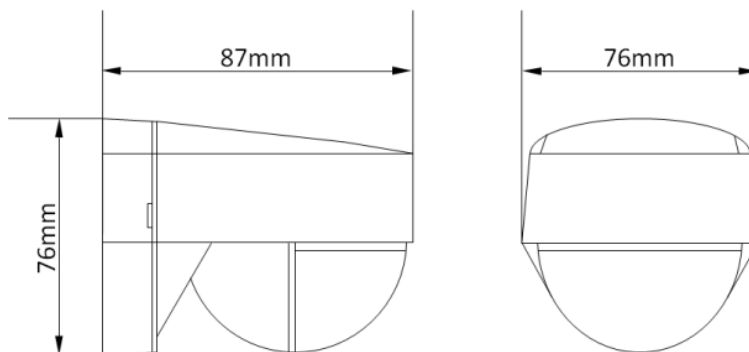
# Data sheet



Light / PIR Presence Detectors

STLW1000 – 180° PIR Light Controller - White

## Product Image & Line Diagram



## Technical Data

<b>General</b>	
Operating Voltage	230V AC
Frequency	50Hz
Installation Type	Surface
Class Protection	Class 2
Number of Channels	1
Weatherproof Rating	IP55 (Rated suitable for restricted external applications)
Operating Temperature	-20°C to + 40°C
Accessories (Included)	Instructions, Fittings, Cable clamps, Lens mask sticker
Switch Rating	1000W Incandescent/Halogen, 200W Fluorescent, 200W Low Energy/CFL, 200W LED
Accessories (Optional)	None
Dimensions	Height 76mm, Width 76mm, Depth 87mm
Weight	119g
EAN	5012483014318
Designed In Accordance To	BS EN 60669-2-1 Includes updates & amendments.
Guarantee Period	2 Years
<b>PIR Sensor</b>	
Warm Up Time	60 Seconds
Detection Angle	180°
Pan/Tilt Adjustment	Pan left and right 45°, Tilt down 35°
Light ON Time	3 seconds to 18 minutes, User adjustable
Slave Terminal	Yes (Maximum of 5 STLW1000 PIR sensors can be wired in parallel. Total load must not exceed the lamp rating of a single STLW1000 unit.)
Detection Range	8-12 meters, Fixed (Achieved at a 2.5m mounting height)
Permanent ON Facility	Yes, Pulse (6 hours max)
Dusk Until Dawn Mode	No
Lux Level	10 - 1000, User adjustable
<b>Construction;</b>	
PIR	Polycarbonate



Article Number: STLW1000 DS130218V1

