

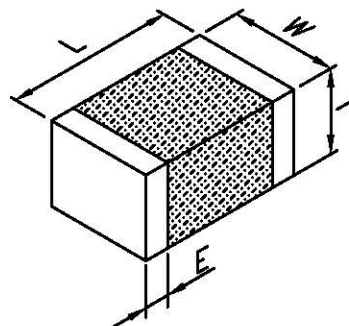
MFB-160808-0120PP

ELECTRICAL CHARACTERISTICS:

	Z @ 100MHz (Ohms)	DCR (Ohms)	Rated Current
Nominal	120		
Minimum	90		
Maximum	150	0.07	2500mA

PHYSICAL DIMENSIONS:

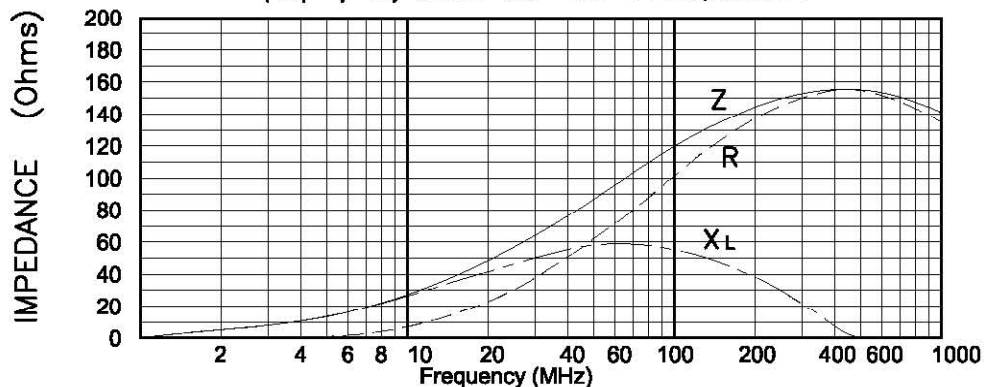
L	1.60(0.063) ±0.150(0.006)
W	0.80(0.031) ±0.150(0.006)
T	0.80(0.031) ±0.150(0.006)
E	0.30(0.012) ±0.200(0.008)



NOTES: UNLESS OTHERWISE SPECIFIED

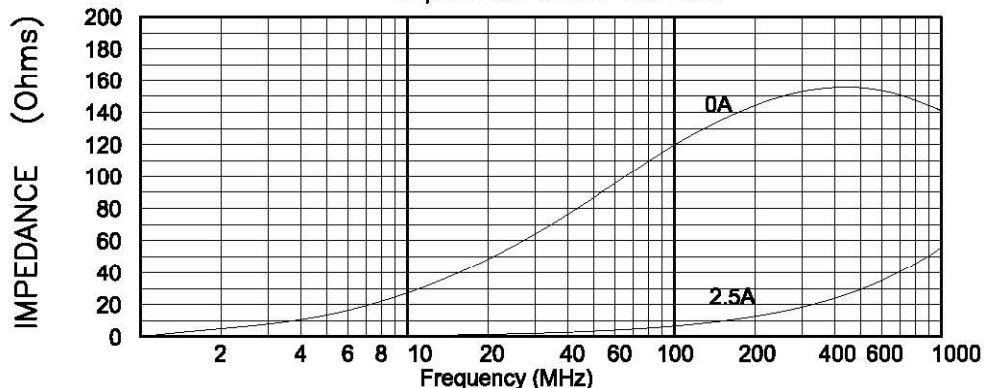
- 1.-All edges and corners must be rounded.
- 2.-Dimensions are in millimeters (inches)
- 3.-Taped and Reeled per current EIA specification.

|Z| , R, AND X_L vs. FREQUENCY



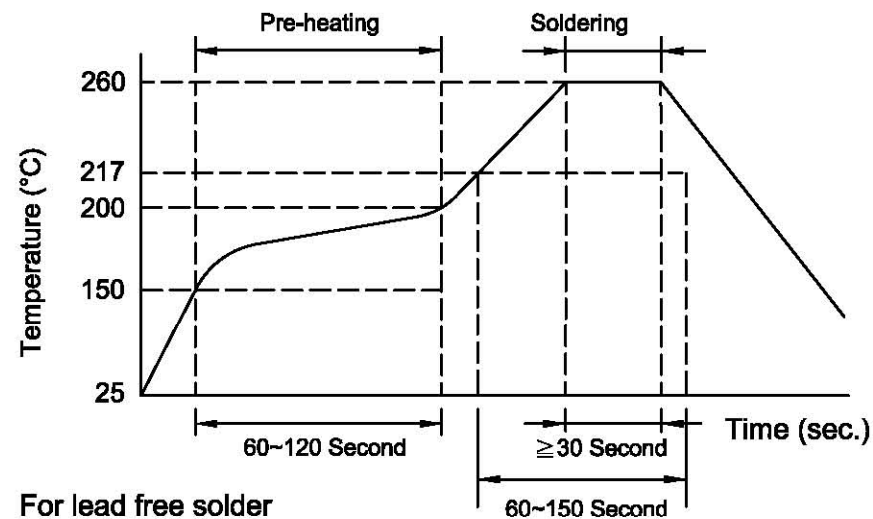
— Z ——— R ——— X_L

Z vs. FREQUENCY
Impedance Under DC Bias



RECOMMENDED SOLDERING CONDITIONS

Reflow Soldering



For lead free solder



APPROVER	DATE	2010/03/11
Sharon	CFM.	