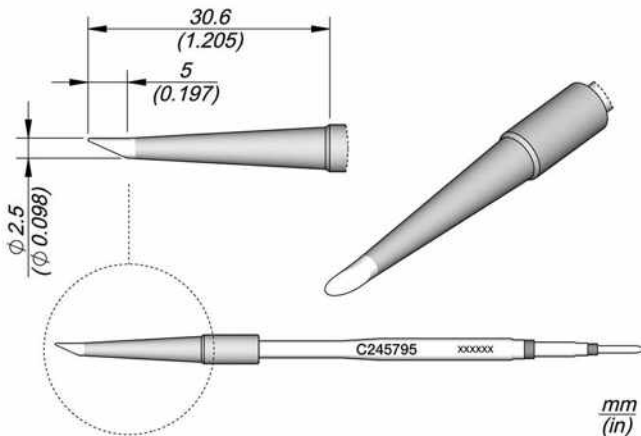


JBC C245795**Bevel Cartridge Ø 2.5****JBC**[Product Application Map](#)[News](#)

This cartridge has a 30 mm long tip which allows you to solder hard-to-access applications.

C245 cartridge range is the widest one of JBC with many shapes, sizes and special models.

They are appropriate for general soldering purposes and they are perfect for both SMD components or for applications with high power requirements such as ground plane soldering.

They work with [T245](#) Handpieces.

[JBC Long Life Tips](#) offer instant heat up, excellent heat transfer and great durability.

They last **5 times longer** than other brands thanks to the JBC Most Efficient Soldering System and the Sleep & Hibernation features.

REFERENCE**C245795****SPECIFICATIONS****Net weight** 0,008 kg (0.02lb)**WEIGHT AND DIMENSIONS****Package** 110 x 12 x 12 mm / 0.01 kg.
4.33 x 0.47 x 0.47 in / 0.02 lbCopyright © 2023 JBC Soldering S.L. | [Legal Notice](#) | [Privacy Policy](#) | [Terms and Conditions](#) | [Cookie policy](#) | [RSS Feed](#) | [JBC Store](#) | [Contact Us](#)

CONNECTABLES

Compatible tools



T245-A

General Purpose Handle



T245-PA

Blue Grip General Purpose Handle



T245-NA

Nitrogen General Purpose Handle