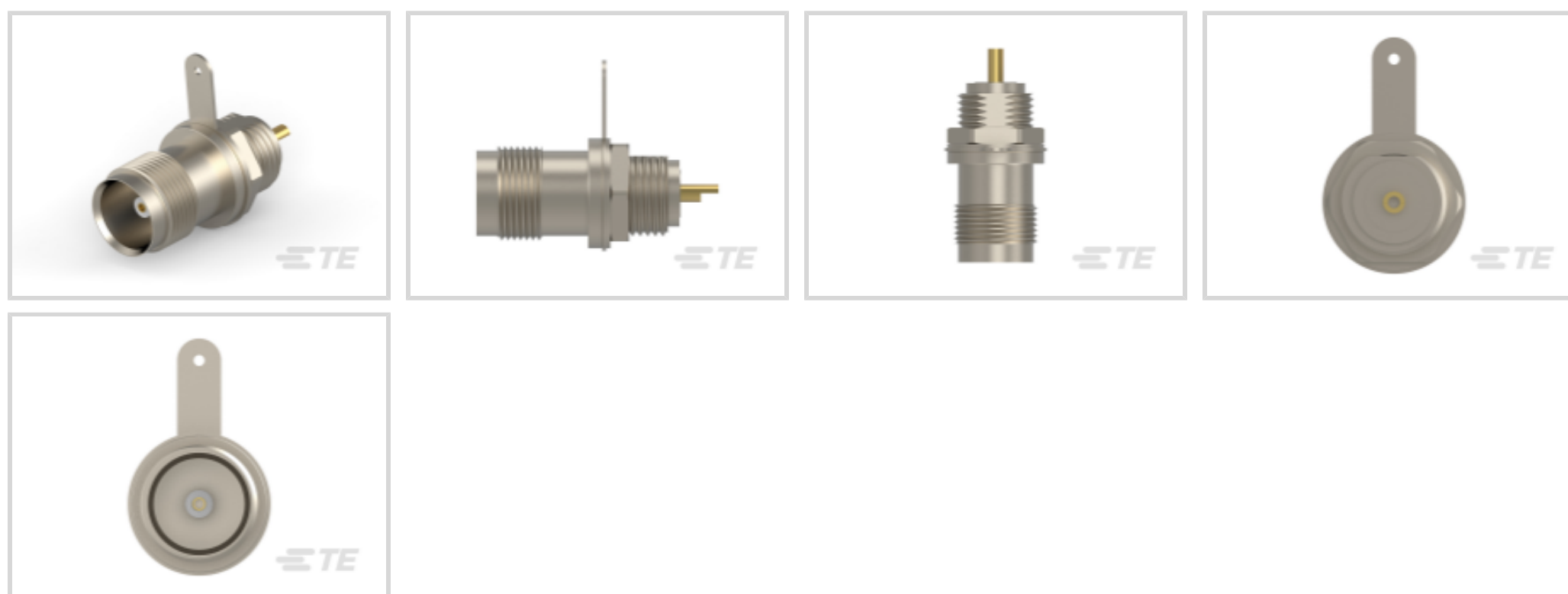




TE Internal #: 5-1814804-3  
 RF Connectors, TNC RF Interface, Jack, RF Connector Mated Outer Diameter (Approximate) .64 in [16.26 mm], 50 Ω, Threaded, 2GHz Operating Frequency

[View on TE.com >](#)

Connectors > RF Coax Connectors > RF Connectors



RF Interface: **TNC**  
 RF Connector Style: **Jack**  
 RF Connector Mated Outer Diameter (Approximate): **16.26 mm [ .64 in ]**  
 Impedance: **50 Ω**  
 RF Connector Coupling Mechanism: **Threaded**

## Features

### Product Type Features

RF Interface	TNC
RF Connector Style	Jack
Connector System	Cable-to-Panel
Sealable	No
Connector & Contact Terminates To	Wire & Cable

### Configuration Features

Number of Positions	1
Number of Coaxial Contacts	1

### Electrical Characteristics

Impedance	50 Ω
-----------	------

### Body Features

Body Shape	Circular
Cable Connector Orientation	Straight
Body Material	Zinc



Body Material Finish	Plated
----------------------	--------

Body Plating Material	Nickel
-----------------------	--------

### Contact Features

RF Connector Center Contact Plating Material	Gold
--	------

RF Connector Center Contact Material	Phosphor Bronze
--------------------------------------	-----------------

### Termination Features

Termination Method to Wire & Cable	Solder Terminal
------------------------------------	-----------------

### Mechanical Attachment

PCB Mount Retention	Without
---------------------	---------

Panel Mount Feature Type	Lockwasher and Nut
--------------------------	--------------------

RF Connector Coupling Mechanism	Threaded
---------------------------------	----------

Connector Mounting Type	Panel Mount
-------------------------	-------------

RF Contact Captivation Method	Solder
-------------------------------	--------

Detent	Without
--------	---------

### Dimensions

RF Connector Mated Outer Diameter (Approximate)	16.26 mm [.64 in]
---	-------------------

### Usage Conditions

Operating Temperature Range	-55 – 85 °C [-67 – 185 °F]
-----------------------------	----------------------------

### Operation/Application

Operating Frequency	2 GHz
---------------------	-------

### Packaging Features

Packaging Method	Box
------------------	-----

### Other

Dielectric Material	PTFE
---------------------	------

### Product Compliance

[For compliance documentation, visit the product page on TE.com>](#)

EU RoHS Directive 2011/65/EU	Compliant with Exemptions
------------------------------	---------------------------

EU ELV Directive 2000/53/EC	Not Yet Reviewed
-----------------------------	------------------

China RoHS 2 Directive MIIT Order No 32, 2016	Restricted Materials Above Threshold
---	--------------------------------------

EU REACH Regulation (EC) No. 1907/2006	Current ECHA Candidate List: JAN 2021 (211)
--	---



Candidate List Declared Against: JUN 2018  
(191)  
SVHC > Threshold:  
Not Yet Reviewed

Halogen Content  
Low Halogen - Br, Cl, F, I < 900 ppm per homogenous material. Also BFR/CFR/PVC Free

Solder Process Capability  
Not applicable for solder process capability

Product Compliance Disclaimer

This information is provided based on reasonable inquiry of our suppliers and represents our current actual knowledge based on the information they provided. This information is subject to change. The part numbers that TE has identified as EU RoHS compliant have a maximum concentration of 0.1% by weight in homogenous materials for lead, hexavalent chromium, mercury, PBB, PBDE, DBP, BBP, DEHP, DIBP, and 0.01% for cadmium, or qualify for an exemption to these limits as defined in the Annexes of Directive 2011/65/EU (RoHS2). Finished electrical and electronic equipment products will be CE marked as required by Directive 2011/65/EU. Components may not be CE marked. Additionally, the part numbers that TE has identified as EU ELV compliant have a maximum concentration of 0.1% by weight in homogenous materials for lead, hexavalent chromium, and mercury, and 0.01% for cadmium, or qualify for an exemption to these limits as defined in the Annexes of Directive 2000/53/EC (ELV). Regarding the REACH Regulations, TE's information on SVHC in articles for this part number is still based on the European Chemical Agency (ECHA) 'Guidance on requirements for substances in articles' (Version: 2, April 2011), applying the 0.1% weight on weight concentration threshold at the finished product level. TE is aware of the European Court of Justice ruling of September 10th, 2015 also known as O5A (Once An Article Always An Article) stating that, in case of 'complex object', the threshold for a SVHC must be applied to both the product as a whole and simultaneously to each of the articles forming part of its composition. TE has evaluated this ruling based on the new ECHA "Guidance on requirements for substances in articles" (June 2017, version 4.0) and will be updating its statements accordingly.

### Compatible Parts



TE Part # 5-1814800-3  
TNC Str Plg Hex 50Ohm Nickel Pltd  
RG58C



TE Part # CAT-076-TNCF50  
TNC Connector: Female (Plug), 50  
Ohm

### Customers Also Bought



TE Part #1-1932000-1  
DDR3 DIMM SOCKETS



TE Part #171638-1  
MINI U-M-N-L PIN CONT. L.P



TE Part #171639-1  
MINI U-M-N-L SOCKET L.P



TE Part #1676675-2  
RN 0805 25R5 0.1% 10PPM 1K RL



## Documents

### Product Drawings

TNC BHSkt + Tag 75Ohm Nickel Gold Pltd

English

### CAD Files

3D PDF

3D

Customer View Model

[ENG\\_CVM\\_CVM\\_5-1814804-3\\_B.2d\\_dxf.zip](#)

English

Customer View Model

[ENG\\_CVM\\_CVM\\_5-1814804-3\\_B.3d\\_igs.zip](#)

English

Customer View Model

[ENG\\_CVM\\_CVM\\_5-1814804-3\\_B.3d\\_stp.zip](#)

English

By downloading the CAD file I accept and agree to the [Terms and Conditions](#) of use.

### Product Specifications

Economy RF Coaxial Connectors

English

Product Specification

English