

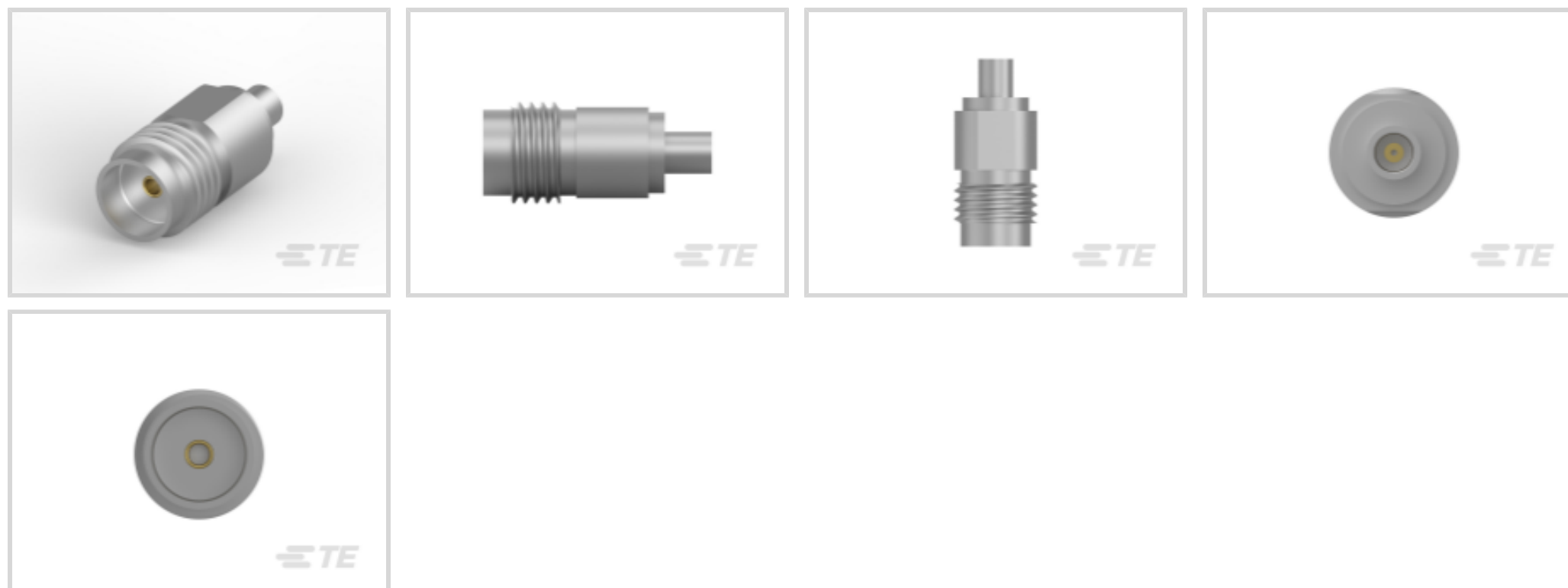
1775230-1 x OBSOLETE

AMP SMA

TE Internal #: 1775230-1

TE Internal Description: SMA Adaptor AMC-901

[View on TE.com >](#)



Product Compliance

[For compliance documentation, visit the product page on TE.com>](#)

EU RoHS Directive 2011/65/EU	Compliant with Exemptions
EU ELV Directive 2000/53/EC	Compliant
China RoHS 2 Directive MIIT Order No 32, 2016	Restricted Materials Above Threshold
EU REACH Regulation (EC) No. 1907/2006	Current ECHA Candidate List: JAN 2021 (211) Candidate List Declared Against: JUN 2016 (169) SVHC > Threshold: Not Yet Reviewed
Halogen Content	Not Low Halogen - contains Br or Cl > 900 ppm.
Solder Process Capability	Not applicable for solder process capability

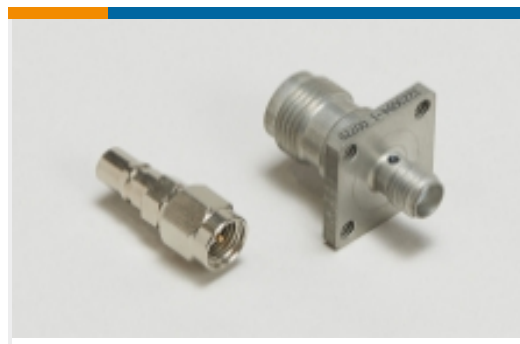
Product Compliance Disclaimer

This information is provided based on reasonable inquiry of our suppliers and represents our current actual knowledge based on the information they provided. This information is subject to change. The part numbers that TE has identified as EU RoHS compliant have a maximum concentration of 0.1% by weight in homogenous materials for lead, hexavalent chromium, mercury, PBB, PBDE, DBP, BBP, DEHP, DIBP, and 0.01% for cadmium, or qualify for an exemption to these limits as defined in the Annexes of Directive 2011/65/EU (RoHS2). Finished electrical and electronic equipment products will be CE marked as required by Directive 2011/65/EU. Components may not be CE marked. Additionally, the part numbers that TE has identified as EU ELV compliant have a maximum concentration of 0.1% by weight in homogenous materials for lead, hexavalent chromium, and mercury, and 0.01% for cadmium, or qualify for an exemption to these limits as defined in the Annexes of Directive 2000/53/EC (ELV). Regarding the REACH Regulation, the information TE provides on SVHC in articles for this part number is based on the latest European Chemicals Agency (ECHA) 'Guidance on requirements for substances in articles' posted at this URL: <https://echa.europa.eu/guidance-documents/guidance-on-reach>

Also in the Series | [AMP SMA](#)



Battery Holders(1)



Between Series Adapters(3)



Coax Contacts(1)



Coax Terminators(1)



In-Series Adapters(35)



Rack & Panel Ferrules & Inserts(1)



RF Cable Assemblies(2)



RF Connector Hardware(2)



RF Connector Launchers(13)



RF Connector Shrouds(10)



RF Connectors(527)

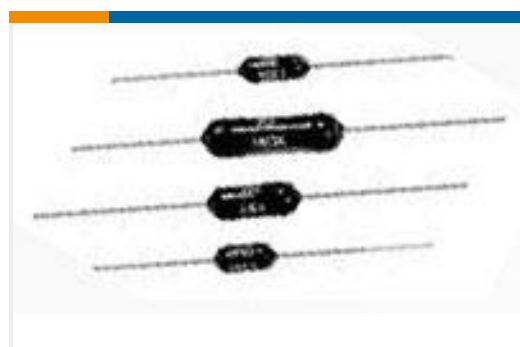
Customers Also Bought



TE Part #2-323914-1
PIDG RING TONGUE TERMINALS



TE Part #1-825433-0
MOD 2 PINHDR 1X10P.



TE Part #1879623-8
H4 1K3 0.1% 5PPM



TE Part #1676474-1
RN 0805 9K53 0.1% 10PPM CUT LENGTH



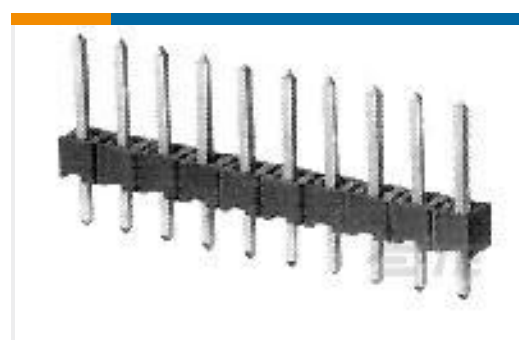
TE Part #103233-7
16 MODII HDR DRST UNSHRD A/PIN



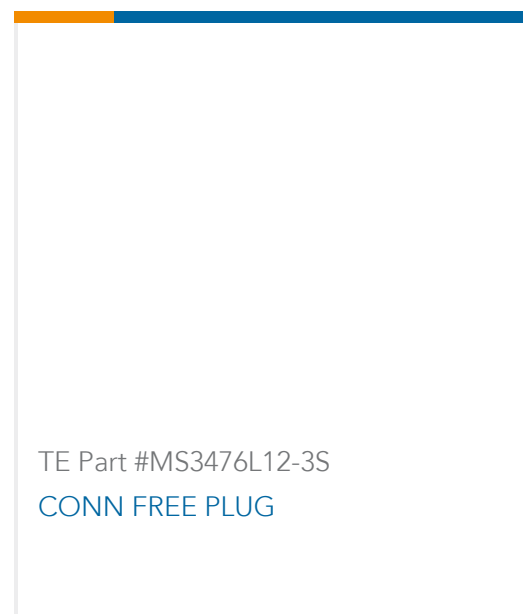
TE Part #1-2273004-3
M8 MALE STRAIGHT PIGTAIL



TE Part #1676287-1
RN 0805 2K32 0.1% 10PPM CUT LE



TE Part #103321-9
09 MODII HDR SRST B/A .100CL



Documents

Product Drawings

CAD Files

3D PDF

3D

Customer View Model

[ENG_CVM_CVM_1775230-1_A.2d_dxf.zip](#)

English

Customer View Model

[ENG_CVM_CVM_1775230-1_A.3d_igs.zip](#)

English

Customer View Model

[ENG_CVM_CVM_1775230-1_A.3d_stp.zip](#)

English

By downloading the CAD file I accept and agree to the [Terms and Conditions](#) of use.

Datasheets & Catalog Pages

UMCC Connectors

English

[UMCC - Ultraminiature Coax Connector & Cable Assembly Series Datasheet 1-1773441-5](#)

English

[UMCC Ultraminiature Coax Connector and Cable Assembly Series](#)

English