



**Model Number**

**NBB20-L2-Z4-V1**

**Features**

- **Sensor head bidirectional and rotatable**
- **20 mm flush**
- **2-wire DC**
- **Quick mounting bracket**

**Accessories**

- V1-G**  
Female connector, M12, 4-pin, field attachable
- V1-W**  
Female connector, M12, 4-pin, field attachable
- V1-G-2M-PUR**  
Female cordset, M12, 4-pin, PUR cable
- V1-W-2M-PUR**  
Female cordset, M12, 4-pin, PUR cable
- MHW 01**  
Modular mounting bracket
- MH 02-L**  
Mounting aid

**Technical Data**

**General specifications**

Switching element function		NO contact
Rated operating distance	$s_n$	20 mm
Installation		flush
Assured operating distance	$s_a$	0 ... 16.2 mm
Reduction factor $r_{Al}$		0.33
Reduction factor $r_{Cu}$		0.31
Reduction factor $r_{304}$		0.74
Reduction factor $r_{Brass}$		0.41

**Nominal ratings**

Operating voltage	$U_B$	3.8 ... 30 V DC
Switching frequency	$f$	0 ... 30 Hz
Reverse polarity protection		reverse polarity protected
Short-circuit protection		pulsing
Voltage drop	$U_d$	$\leq 3.8$ V
Operating current	$I_L$	2 ... 100 mA
Off-state current	$I_r$	0 ... 0.5 mA
Switching state indication		LED, yellow

**Ambient conditions**

Ambient temperature	-25 ... 70 °C (-13 ... 158 °F)
Storage temperature	-25 ... 85 °C (-13 ... 185 °F)

**Mechanical specifications**

Connection type	Connector M12 x 1, 4-pin
Housing material	PA
Sensing face	PA
Protection degree	IP69K
Mass	130 g

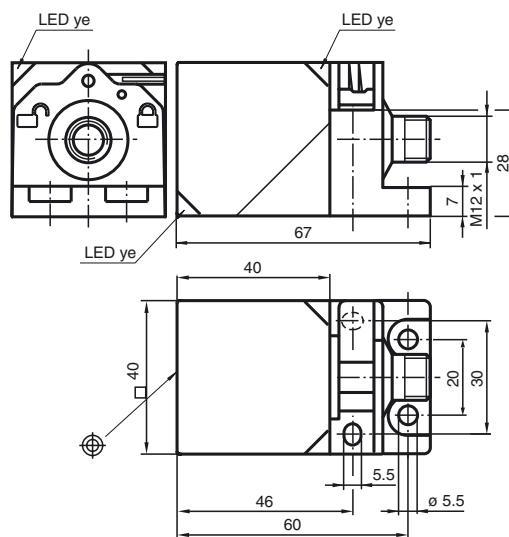
**Compliance with standards and directives**

Standard conformity	
Standards	EN 60947-5-2:2007 IEC 60947-5-2:2007

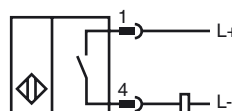
**Approvals and certificates**

UL approval	cULus Listed, General Purpose
CSA approval	cCSAus Listed, General Purpose
CCC approval	CCC approval / marking not required for products rated $\leq 36$ V

**Dimensions**



**Electrical Connection**



Release date: 2013-07-10 09:38 Date of issue: 2013-07-10 182171\_eng.xml

## Pinout



Wire colors in accordance with EN 60947-5-2

1	BN	(brown)
2	WH	(white)
3	BU	(blue)
4	BK	(black)