

1658661-1 ✓ ACTIVE



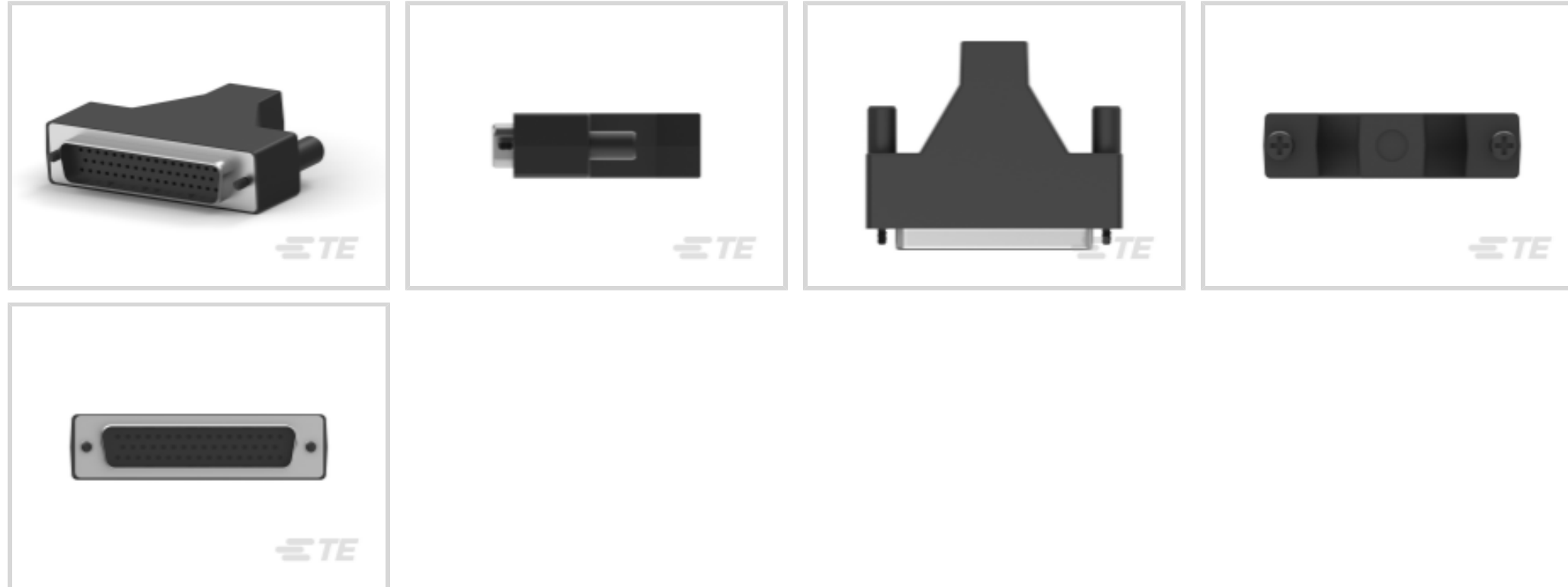
AMPLIMITE

TE Internal #: 1658661-1

Crimp D-Sub Connectors, Plug, Cable-to-Cable, 50 Position, 20 D-Sub Contact Size, 5 D-Sub Shell Size, Mating Retention, Jackscrews, Shielded

[View on TE.com >](#)

Connectors > D-Shaped Connectors > D-Sub Connectors > Crimp D-Sub Connectors > D-Sub Crimp: Plug, Signal, 50 Posn, Pin Size 20, Shell Size 5



Connector & Housing Type: **Plug**

Connector System: **Cable-to-Cable**

Number of Positions: **50**

D-Sub Contact Size: **20**

D-Sub Shell Size: **5**

[All D-Sub Crimp: Plug, Signal, 50 Posn, Pin Size 20, Shell Size 5 \(7\)](#)

Features

Product Type Features

Grounding Indents	With
Product Type	Connector
Grade	Standard
Shell Type	Full Metal Shell
Connector & Housing Type	Plug
Connector System	Cable-to-Cable
D-Sub Shell Size	5
Sealable	No
Connector & Contact Terminates To	Wire & Cable

Configuration Features

Number of Positions	50
---------------------	----

Body Features

--	--



Shell Plating Material	Tin
Shield Plating Material	Tin
Shell Material	Steel
Shield Material	Steel
Insert Material	Glass Filled PBT/Nylon

Contact Features

D-Sub Contact Size	20
--------------------	----

Mechanical Attachment

Jackscrew Material	Zinc Alloy
Mating Retention	With
Mating Retention Type	Jackscrews

Housing Features

Housing Color	Black
Housing Material	Nylon GF
Centerline (Pitch)	2.74 mm, 2.76 mm, 2.79 mm [.108 in][.109 in] [.11 in]

Dimensions

Cable Insulation Diameter Range	5.51 – 11.05 mm
---------------------------------	-----------------

Usage Conditions

Operating Temperature Range	-55 – 105 °C[-67 – 221 °F]
-----------------------------	----------------------------

Operation/Application

Shielded	Yes
Circuit Application	Signal

Industry Standards

Insert Flammability Rating	UL 94V-0
UL Flammability Rating	UL 94V-0

Packaging Features

Packaging Quantity	1
Packaging Method	Bulk Kit, Package

Other

Comment	Maximum cable diameter after jacket and braid removed., Plugs accept size 20 DF pin contacts., There is a maximum Cable O.
---------	--



D. of 14.27 [.562] for Shielding Enclosure Expansion Tool 58241-2.

Product Compliance

[For compliance documentation, visit the product page on TE.com>](#)

EU RoHS Directive 2011/65/EU	Compliant
EU ELV Directive 2000/53/EC	Compliant
China RoHS 2 Directive MIIT Order No 32, 2016	No Restricted Materials Above Threshold
EU REACH Regulation (EC) No. 1907/2006	Current ECHA Candidate List: JAN 2021 (211) Candidate List Declared Against: JAN 2021 (211) Does not contain REACH SVHC
Halogen Content	Not Low Halogen - contains Br or Cl > 900 ppm.
Solder Process Capability	Not applicable for solder process capability

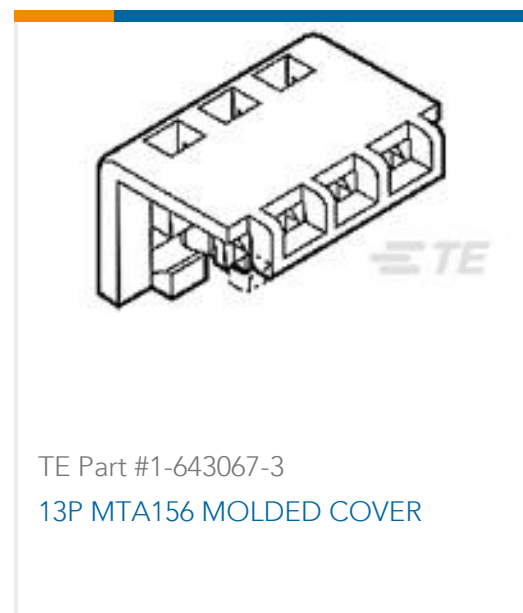
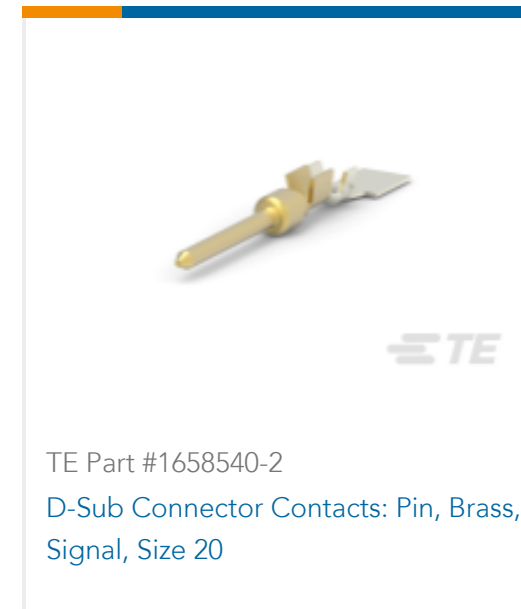
Product Compliance Disclaimer

This information is provided based on reasonable inquiry of our suppliers and represents our current actual knowledge based on the information they provided. This information is subject to change. The part numbers that TE has identified as EU RoHS compliant have a maximum concentration of 0.1% by weight in homogenous materials for lead, hexavalent chromium, mercury, PBB, PBDE, DBP, BBP, DEHP, DIBP, and 0.01% for cadmium, or qualify for an exemption to these limits as defined in the Annexes of Directive 2011/65/EU (RoHS2). Finished electrical and electronic equipment products will be CE marked as required by Directive 2011/65/EU. Components may not be CE marked. Additionally, the part numbers that TE has identified as EU ELV compliant have a maximum concentration of 0.1% by weight in homogenous materials for lead, hexavalent chromium, and mercury, and 0.01% for cadmium, or qualify for an exemption to these limits as defined in the Annexes of Directive 2000/53/EC (ELV). Regarding the REACH Regulation, the information TE provides on SVHC in articles for this part number is based on the latest European Chemicals Agency (ECHA) 'Guidance on requirements for substances in articles' posted at this URL: <https://echa.europa.eu/guidance-documents/guidance-on-reach>

Compatible Parts



Customers Also Bought



Documents

Product Drawings

[KIT,HDP-20,ENCLSUR,PLUG,SIZE 5](#)

English

CAD Files

[3D PDF](#)

3D

Customer View Model

[ENG_CVM_CVM_1658661-1_A_c-1658661-1-a.2d_dxf.zip](#)

English

Customer View Model

[ENG_CVM_CVM_1658661-1_A_c-1658661-1-a.3d_igs.zip](#)

English

Customer View Model

[ENG_CVM_CVM_1658661-1_A_c-1658661-1-a.3d_stp.zip](#)

English

By downloading the CAD file I accept and agree to the [Terms and Conditions](#) of use.

Datasheets & Catalog Pages



[AMPLIMITE Subminiature D Connectors - Cable Connectors](#)

English

[AMPLIMITE Cable Connectors and Shielding Hardware Kits QRG](#)

English

[Product Specifications](#)

[Application Specification](#)

English

[Product Environmental Compliance](#)

[Product Compliance](#)

English

[Product Compliance](#)

English

[Instruction Sheets](#)

[Instruction Sheet \(U.S.\)](#)

English

[Instruction Sheet \(U.S.\)](#)

English

[Agency Approvals](#)

[UL Report](#)

English