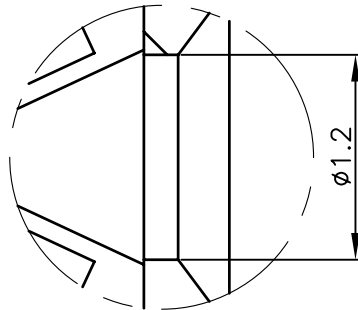
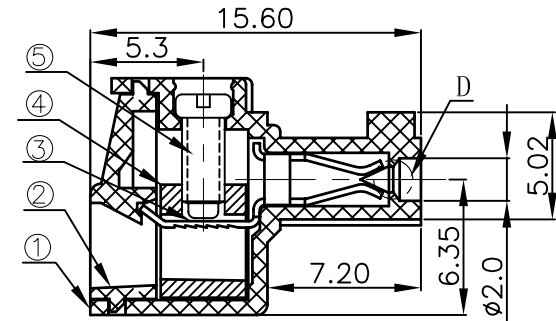
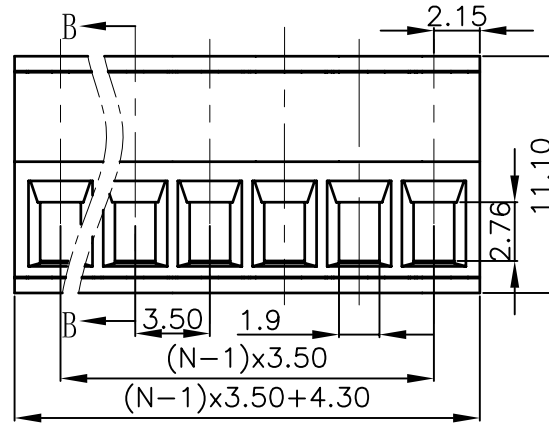


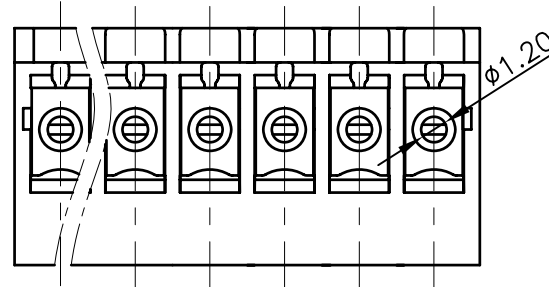
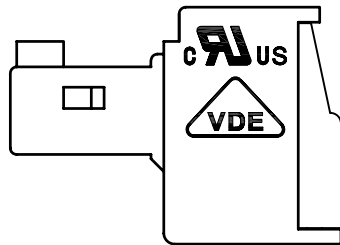
REVISION RECORD				
REV	ECN	DESCRIPTION	DRFT	DATE



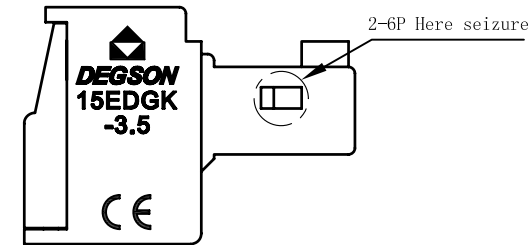
D Local amplification (8:1)



SECTION B-B



VIEW-A



NOTES:

- PITCH: 3.5MM POLES: 2-24P
- RATED VOLTAGE/CURRENT: UL 300V/8A
VDE 250V/7A
- OPERATION TEMPERATURES: -40°C~+105°C
- WITHSTANDING VOLTAGE: AC2000V/1MIN
- INSULATION RESISTANCE: 5000MΩ/DC1000V
- WIRE RANGE: 28~16AWG, 0.5~1.5MM²
- MAX. TORQUE VALUE: M2.0, 2.04KGF.CM
- UNDIMENSIONED TOLERANCES:

Pitch range in mm		Nominal dimension range in mm						
to 6	over 6 to 10	over 10 to 24	over 24 to 30	over 30 to 60	over 60 to 100	over 100 to 150	over 150	
±0.10	±0.15	±0.25	±0.2	±0.3	±0.5	±0.7	±1	
							0.05/10	

ITEM	NAME OF PART	NO. OF PART	QTY	MATERIAL	NOTES
5	15EDG M2"-Screws	S000001360(H)	XX	Steel	Cr+Zn
4	15EDG Brass cage	X000000010(H)	XX	Brass	Ni plated
3	15EDG Clamp	1001B00010(H)	XX	Phosphor Bronze	SnCe
2	15EDGK-3.5-Cover	1001C0YXXA(H)	1	PA66	UL94V-0

ITEM	NAME OF PART	NO. OF PART	QTY	MATERIAL	NOTES
1	15EDGK-3.5-Housing	1001A0YXXA(H)	1	PA66	UL94V-0

DETACHED LISTS	MM (INCH)	MATERIAL:			
	TOLERANCES EXCEPT AS NOTED	FINISH:			
	.X ± .XX ± .XXX ±	PART NO.:			
	ANGLES ± 1°	APPD:			
THIRD ANGLE PROJECTION	DRFT: Haoyh 04/19/05"	TITLE: ASSEMBLY DRAWING	REV	T6	
		DRAWING NO.: 15EDGK-3.5-E06			
		DO NOT SCALE DRAWING	SCALE	N/A	SHEET
					1/1