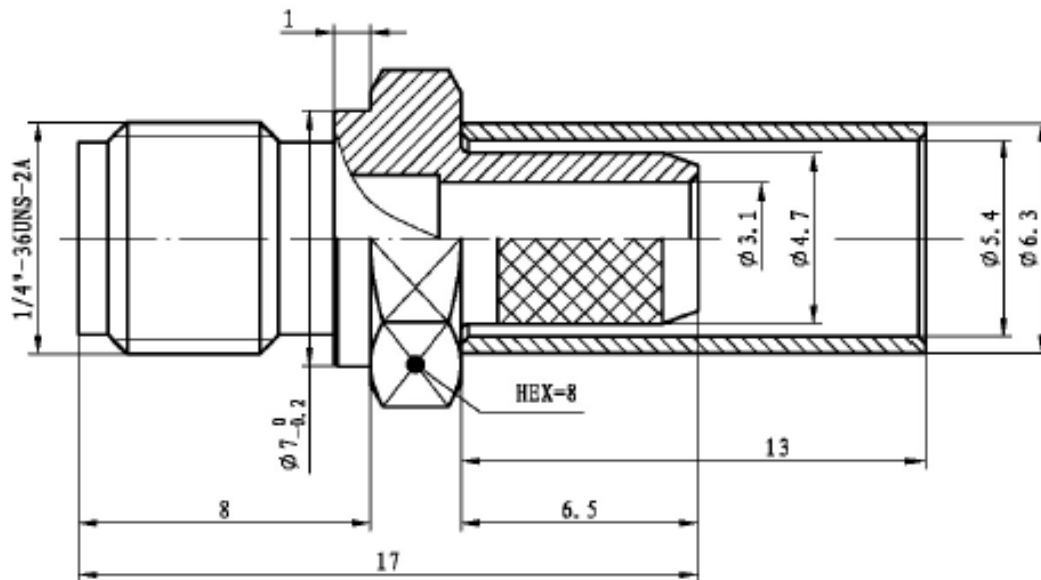
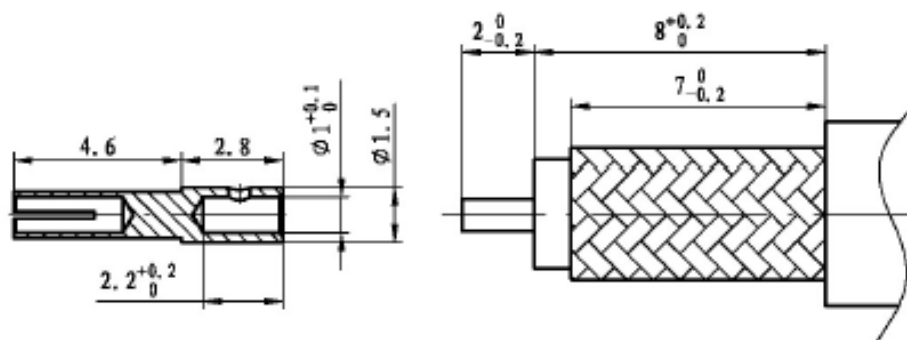


# Data Sheet

## SMA plug for crimping RG58



### RG58/U STRIPING DIM.



1. Do not scale this drawing
2. Tolerances unless otherwise specified: ISO 2768-1(m)

Socket	QBe2	1	D. N12~4\Au0.03min
Crimp	HPb59-1	1	D. N13~5
Body	HPb59-1	1	D. N13~5
Insulator	PTFE	1	
Name	Material	QTY.	Plating