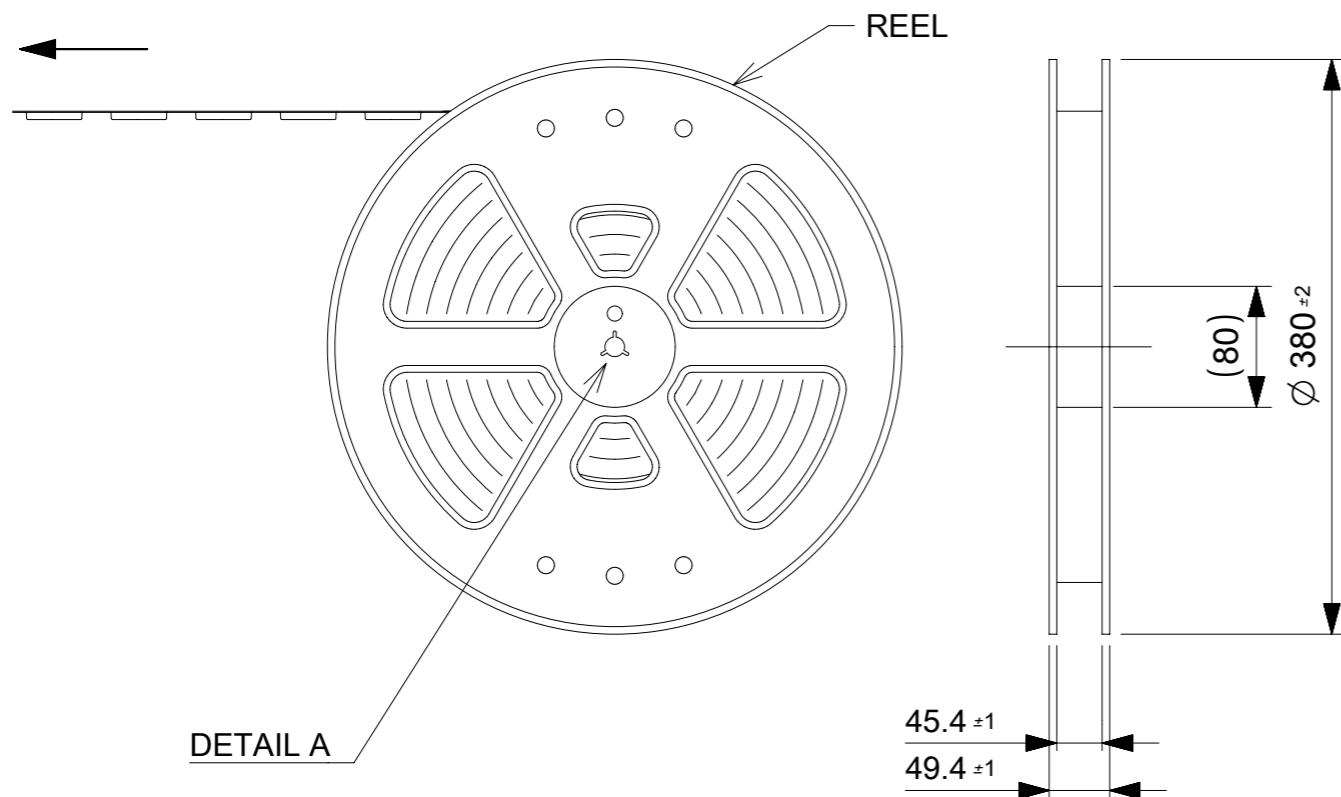
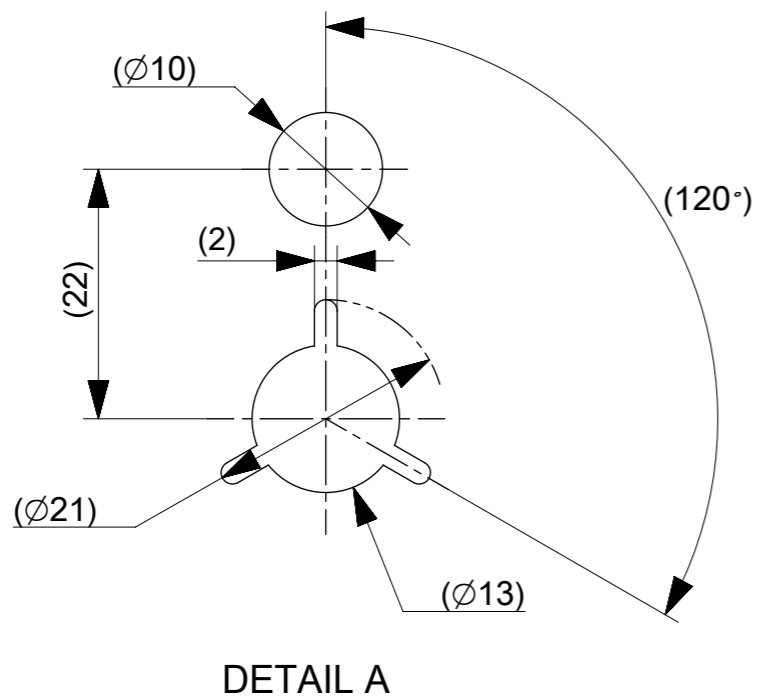


引き出し方向  
PULL OUT DIRECTION

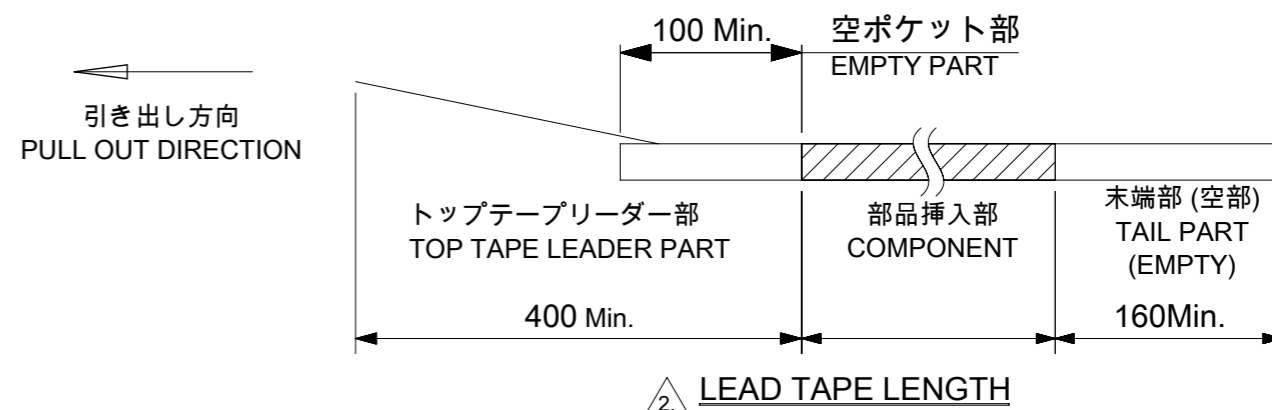


DETAIL A



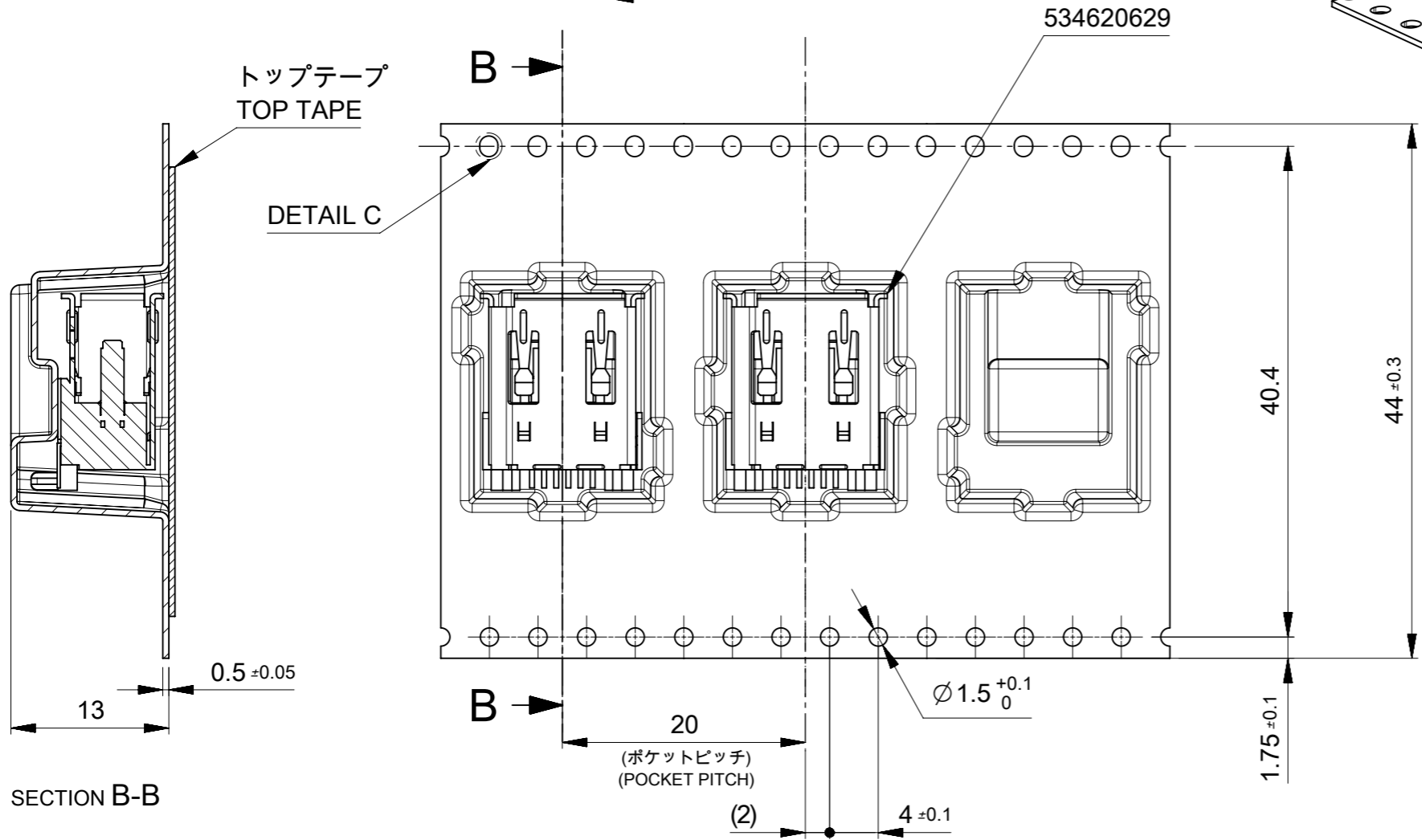
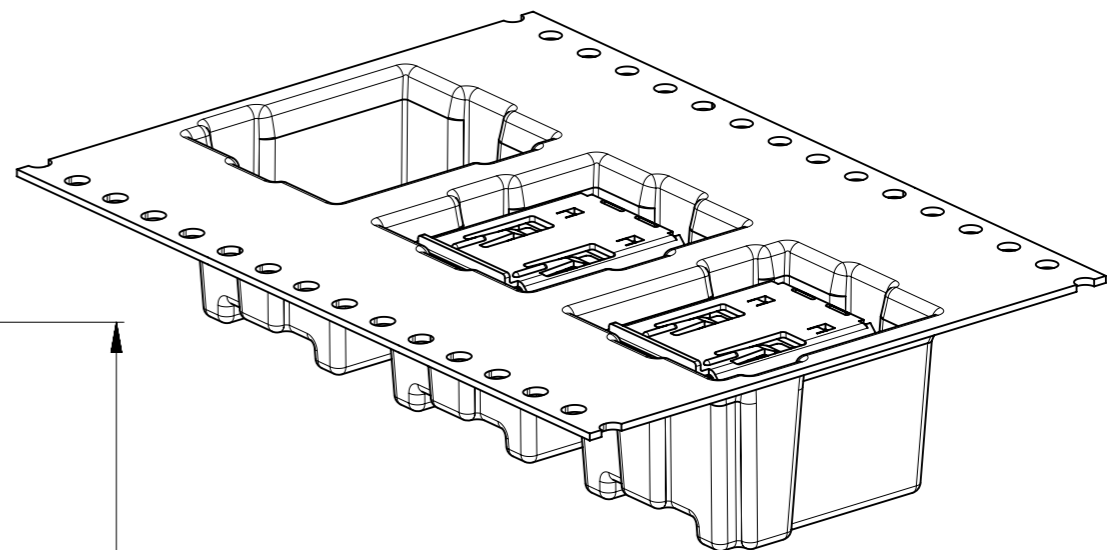
NOTES

- 梱包数量 : 350個 / リール  
THE NUMBER OF PACKAGED CONNECTORS: 300 PIECES/REEL
- リードテープ長さ  
LEAD TAPE LENGTH.
- 製品詳細寸法については、図面SD-534562-010を参照してください。  
FOR DIMENSIONS OF PRODUCT, REFER TO SD-53462-010.
- 材料 MATERIAL  
キャリアテープ : ポリスチレン  
CARRIER TAPE: POLYSTYRENE  
トップテープ : ポリエチレンテレフタレート、ポリエチレン  
TOP TAPE: POLYETHYLENE TEREPHTHALATE, POLYETHYLENE  
リール : ポリスチレン(リサイクル材を含む)  
REEL: POLYSTYRENE(RECYCLE MATERIAL CONTAINED)

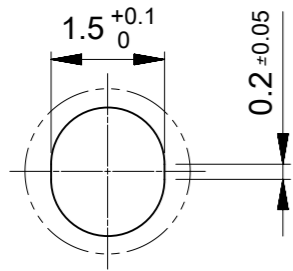


THIS DRAWING CONTAINS INFORMATION THAT IS PROPRIETARY TO MOLEX ELECTRONIC TECHNOLOGIES, LLC AND SHOULD NOT BE USED WITHOUT WRITTEN PERMISSION										
EC NO: 122926 DRWN: RYANAIKANI CHK'D: ASHIMOTSU APPR: RTAKEUCHI	2017/10/25	2017/12/15	2017/12/19	GENERAL TOLERANCES (UNLESS SPECIFIED)		DIMENSION UNITS	SCALE	<b>molex</b> 2.0 I/O FLAT SMT WAFER ASSY EMBSTP PKG		
	ANGULAR TOL ± 3.0 °			mm	1:1					
	4 PLACES	± 0.03	KTAKUCHI01	DATE	2017/10/17	PRODUCT CUSTOMER DRAWING				
	3 PLACES	± 0.03	CHK'D BY	DATE	ASHIMOTSU 2017/10/23	SERIES	MATERIAL NUMBER	CUSTOMER		
	2 PLACES	± 0.05	APPR BY	DATE	RTAKEUCHI 2017/12/19	53462	SEE CHART			
1 PLACE	± 0.1	DRAWING SIZE	THIRD ANGLE PROJECTION	A3	DOCUMENT NUMBER			DOC TYPE	DOC PART	SHEET NUMBER
0 PLACES	± 0.2	DRAFT WHERE APPLICABLE MUST REMAIN WITHIN DIMENSIONS			534620001			PSD	000	1 OF 2

引き出し方向  
(PULL OUT DIRECTION)



累積ピッチ : 40±0.2  
ACCUMULATIVE PITCH: 40±0.2



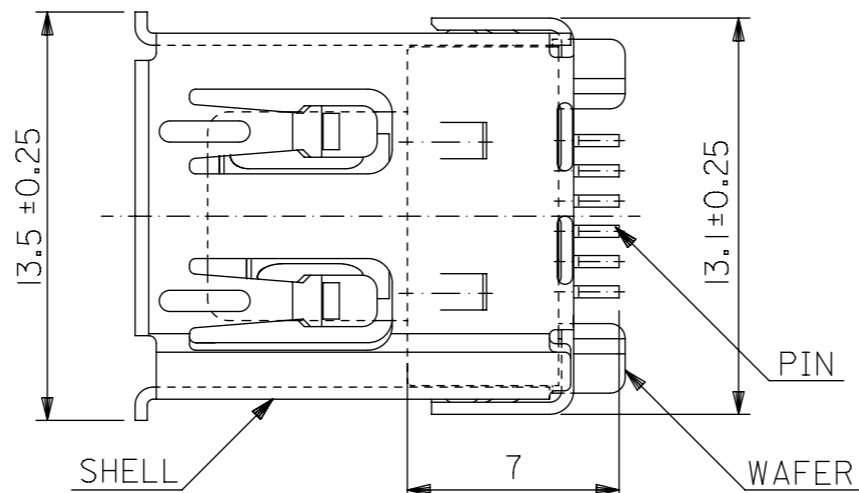
DETAIL C  
SCALE 10:1

534620629	534620001
CONNECTOR MATERIAL NO.	EMBOSSED PACKAGE オーダー番号 ORDER NO.

THIS DRAWING CONTAINS INFORMATION THAT IS PROPRIETARY TO MOLEX ELECTRONIC TECHNOLOGIES, LLC AND SHOULD NOT BE USED WITHOUT WRITTEN PERMISSION

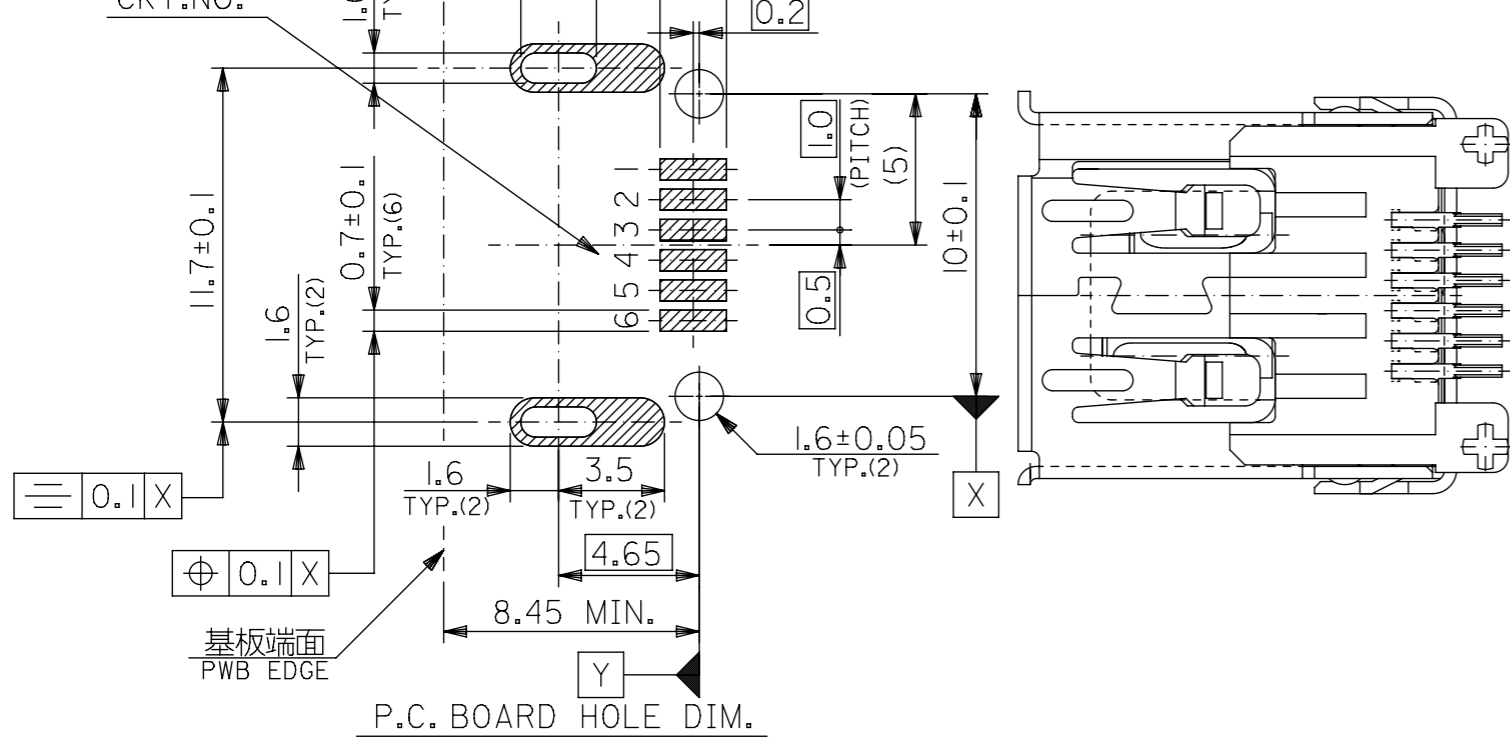
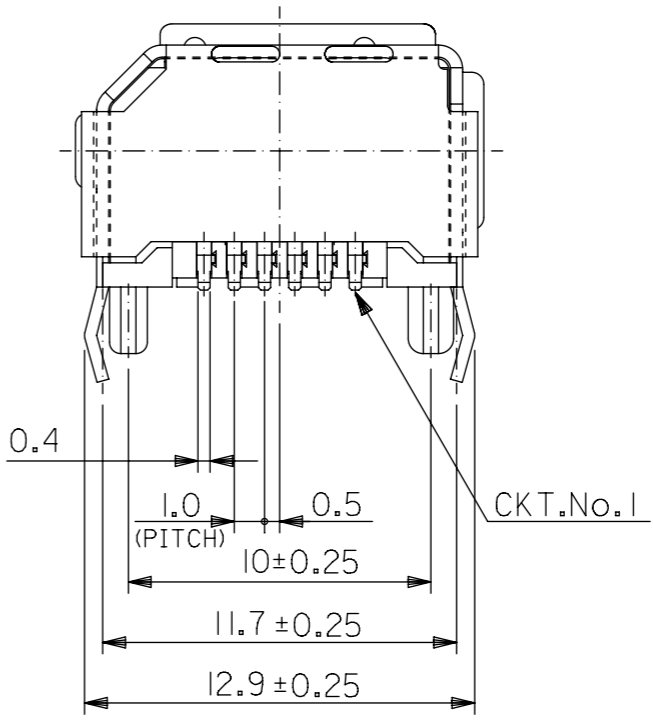
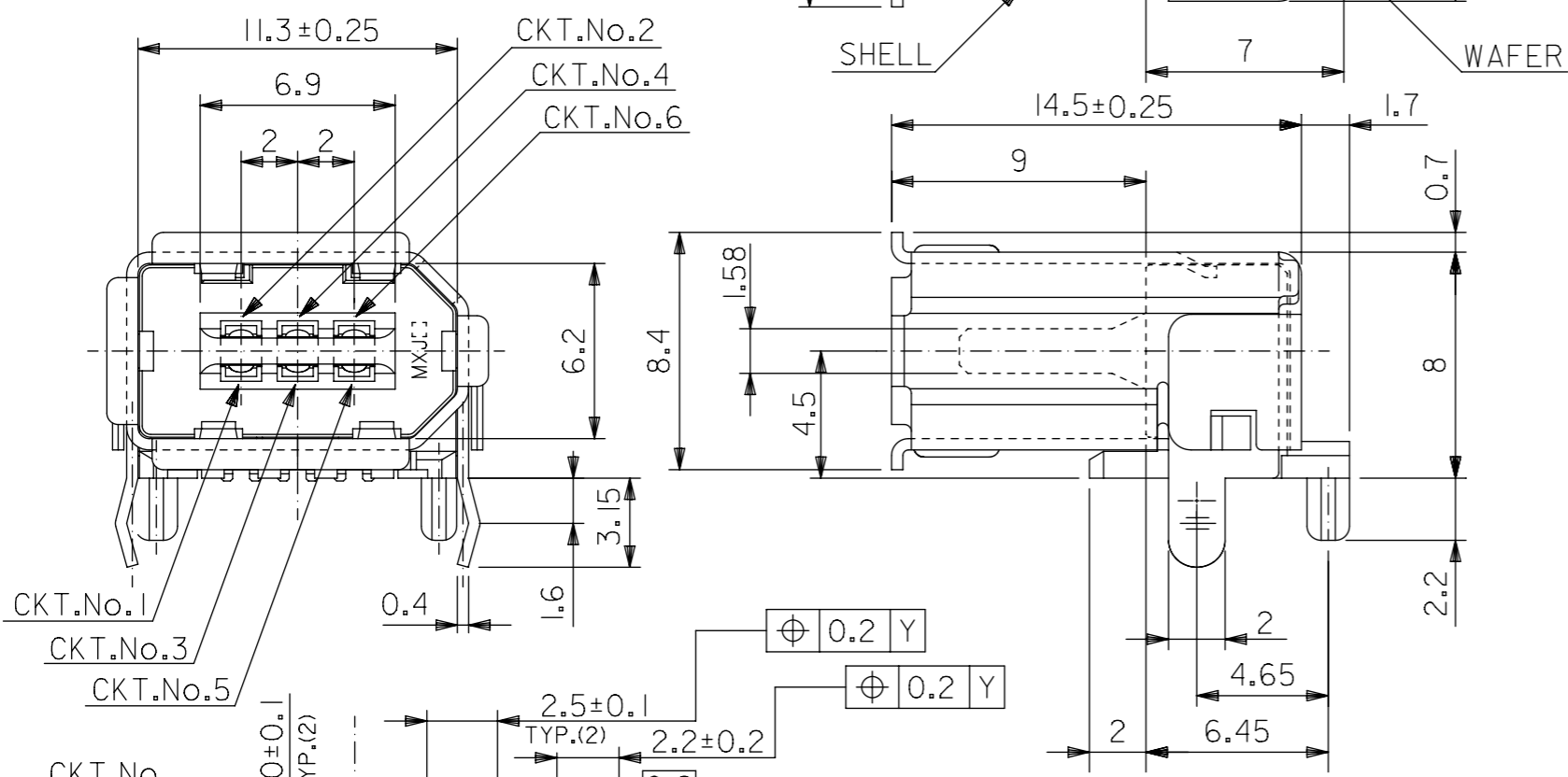
EC NO: 122926 DRWN: RYANAIKANI CHK'D: ASHIMOTSU APPR: RTAKEUCHI	2017/10/25	DRWN BY	KTAKUCHI01	DATE	2017/10/17	
	2017/12/15	CHK'D BY	ASHIMOTSU	DATE	2017/10/23	
	2017/12/19	APPR BY	RTAKEUCHI	DATE	2017/12/19	
	GENERAL TOLERANCES (UNLESS SPECIFIED)		DIMENSION UNITS	SCALE		
	ANGULAR TOL ± 3.0 °		mm	2:1		
	4 PLACES	± 0.03				
3 PLACES	± 0.03					
2 PLACES	± 0.05					
1 PLACE	± 0.1					
0 PLACES	± 0.2					
DRAFT WHERE APPLICABLE MUST REMAIN WITHIN DIMENSIONS		DRAWING SIZE	THIRD ANGLE PROJECTION			
		A3				

<b>molex</b>		
2.0 I/O FLAT SMT WAFER ASSY EMBSTP PKG		
PRODUCT CUSTOMER DRAWING		
SERIES	MATERIAL NUMBER	CUSTOMER
53462	SEE CHART	
DOCUMENT NUMBER	DOC TYPE	DOC PART SHEET NUMBER
534620001	PSD	000 2 OF 2



部品名 PARTS NAME	材質 MATERIAL	注記 NOTES
ウエハー WAFER	ガラス入り46ナイロン NYLON46 G.F.	G.F.30%, UL94V-0, 色:黒 G.F.30%, UL94V-0, COLOR : BLACK
ピン PIN	黄銅 t0.25 BRASS t0.25	接点部 : 金メッキ0.76µmMIN. CONTACT AREA : GOLD 0.76 MICROMETER MIN. 半田付け部: 錫メッキ1.0µmMIN. SOLDERTAIL AREA : TIN 1.0 MICROMETER MIN. 下地メッキ: ニッケルメッキ2.0µmMIN. UNDER-PLATING : NICKEL 2.0 MICROMETER MIN.
シエル SHELL	りん青銅 t0.4 PHOSPHOR BRONZE t0.4	錫メッキ: 1.0µmMIN. TIN : 1.0 MICROMETER MIN. 下地メッキ: ニッケルメッキ1.27µmMIN. UNDER-PLATING : NICKEL 1.27 MICROMETER MIN.

本製品は53462-\*\*-21の鉛フリー品である。  
THIS PRODUCT IS LEAD FREE OF 53462-\*\*21.



53462-0629	6
MATERIAL NO.	CIRCUIT
MODEL NO.	53462-**-29

THIS DRAWING CONTAINS INFORMATION THAT IS PROPRIETARY TO MOLEX ELECTRONIC TECHNOLOGIES, LLC AND SHOULD NOT BE USED WITHOUT WRITTEN PERMISSION		CURRENT REV DESC:		<b>molex</b>	
DIMENSION UNITS	SCALE	EC NO: 615419			
mm	4:1	DRWN: KTAKEUCHI01 2019/04/11		2.0 I/O CONN. SOCKET RIGHT-ANGLE FLAT KINK -LEAD FREE-	
GENERAL TOLERANCES (UNLESS SPECIFIED)		CHK'D: TRSUZUKI 2019/04/11			
ANGULAR TOL	± 1.0°	APPR: RTAKEUCHI 2019/04/11		PRODUCT CUSTOMER DRAWING	
4 PLACES	± 0.2	INITIAL REVISION:		DOCUMENT NUMBER	
3 PLACES	± 0.2	DRWN: YWADA 2004/05/21		SD-53462-010	
2 PLACES	± 0.2	APPR: MSASAO 2004/05/24		DOC TYPE	
1 PLACE	± 0.2	THIRD ANGLE PROJECTION		PSD	
0 PLACES	± 0.2	DRAWING		DOC PART	
DRAFT WHERE APPLICABLE MUST REMAIN WITHIN DIMENSIONS		SERIES		REVISION	
		A3-SIZE		001	
		53462		A	
		MATERIAL NUMBER		SHEET NUMBER	
		SEE TABLE		1 OF 1	
		CUSTOMER		GENERAL MARKET	