

Plastic enclosure 171 x 121 x 55 mm dark grey ABS IP 65/NEMA 4 Plastic Enclosures, RND



FEATURES:

Integral guides and standoffs for vertical and horizontal PCB mounting

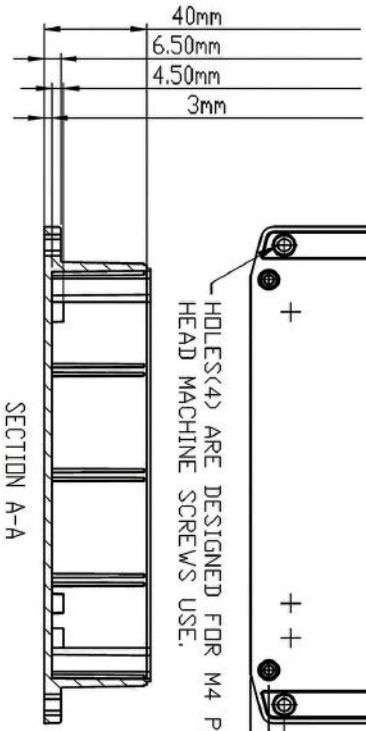
SPECIFICATION:

Dimensions L x W x H	171 x 121 x 55 mm
Colour	dark grey
Material	ABS
Protection rating	IP 65/NEMA 4
Fire class	UL 94 HB
Mounting	Flange
Temperature range	-20...+80 °C

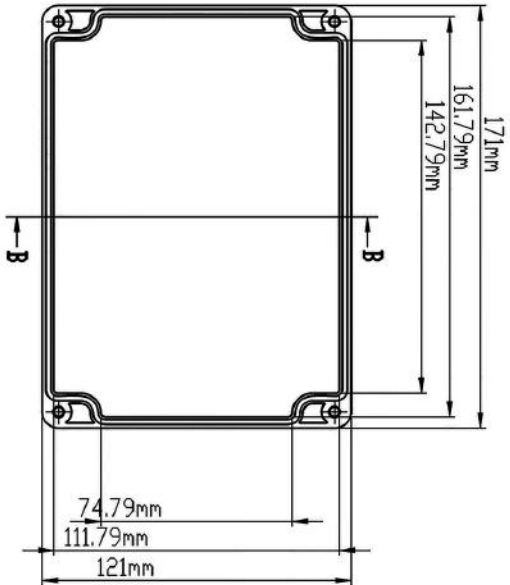
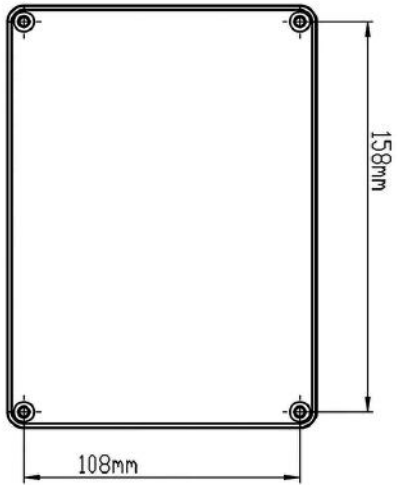
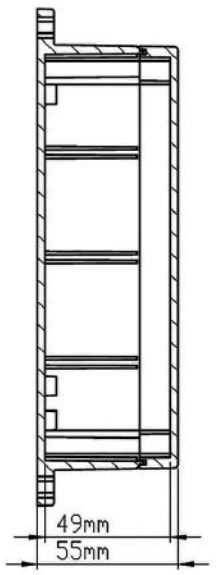
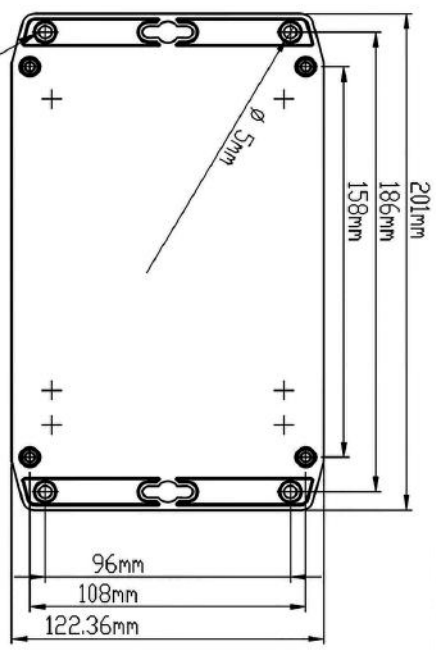
PRODUCT RANGE:

Art. Nr.

RND 455-00252



HOLES(4) ARE DESIGNED FOR M4 PAN HEAD MACHINE SCREWS USE.



TOLERANCES: +/ - 0.30 mm (+/ - 0.012in)

