

Metal enclosure

aluminium 125 x 80 x 40 mm Aluminium alloy IP 65



FEATURES:

Sealed aluminium enclosures for external use

With flanges for wall mounting

Inside guide grooves for vertical mounting

Ideal for industrial and automated engineering

FEATURES:

PCB mounting: Horizontally

SPECIFICATION:

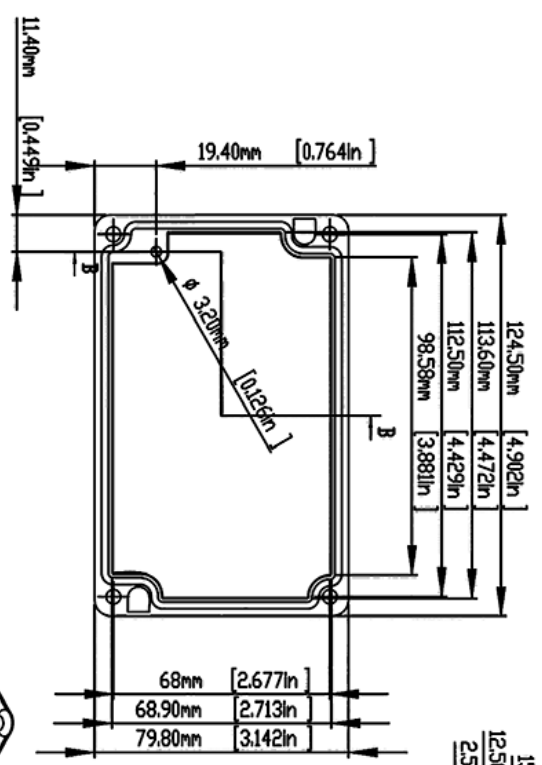
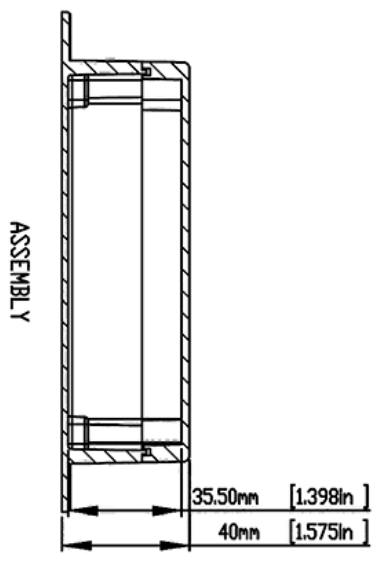
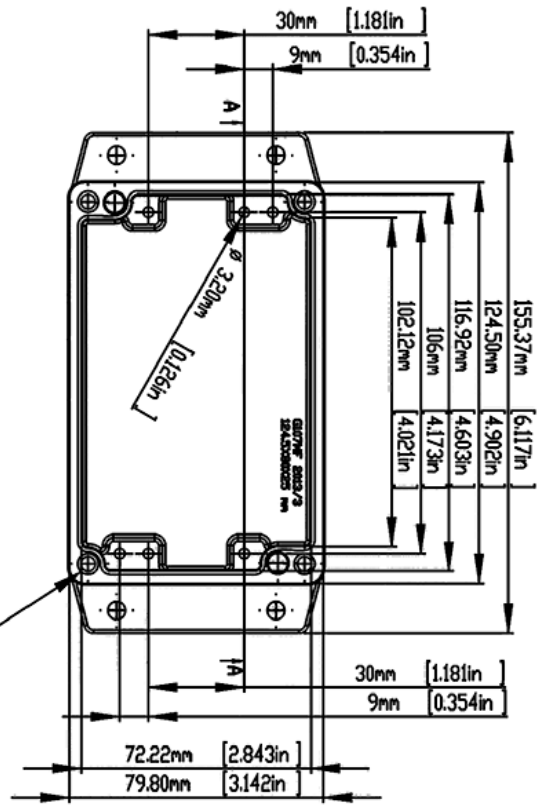
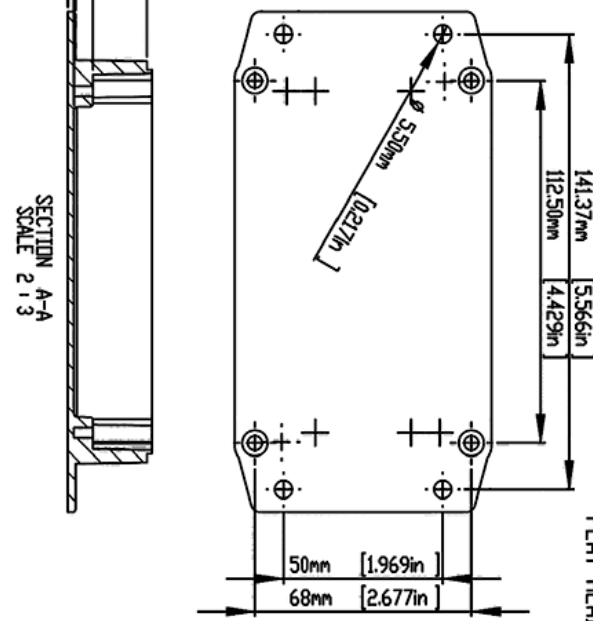
Colour	aluminium
Material	Aluminium alloy
Dimensions L x W x H	125 x 80 x 40 mm
Protection rating	IP 65
Mounting	Flange



Art. Nr.

RND 455-00423

25mm	[0.984in]
6mm	[0.236in]
2.50mm	[0.098in]
2mm	[0.079in]



15mm	[0.591in]
12.50mm	[0.492in]
2.50mm	[0.098in]

According to ISO 2768-m	
Measuring DIM=L	Tolerances
0.5<L<=30mm	±0.1mm
3.0<L<=6.0 mm	±0.1mm
6.0<L<=30.0 mm	±0.2mm
30.0<L<=120.0 mm	±0.3mm
120.0<L<=400.0 mm	±0.5mm
400.0<L<=1000.0 mm	±0.8mm

