



SA106J-XXGS

6W Switching Adapter

Input

Rated Voltage	100 - 240 VAC
Max. Voltage	90 - 264 VAC
Line Frequency	47 - 63 Hz
Current	300mA at 100-240VAC
Configuration	Europe-2PIN

Output

Model Name	Voltage	Current	Watt	Efficiency
SA106J-05GS	5V	1.2A	6W	68%
SA106J-09GS	9V	0.67A	6.03W	68%
SA106J-12GS	12V	0.5A	6W	75%
SA106J-24GS	24V	0.25A	6W	75%

Line Regulation	Less than $\pm 7\%$ (24V $\pm 5\%$)
Load Regulation	Less than $\pm 7\%$ (24V $\pm 5\%$)
Protections	OCP, OVP & SCP
Ripple & Noise	$\leq 120\text{mVp-p}$, (For 5V, 9V, 12V) $\leq 240\text{mVp-p}$, (For 24V)

Environment

Operating Temp.	0°C - 40°C
Storage Temp.	-20°C - 80°C
Humidity	10% - 90% (Non-condensing)
RoHS & WEEE	Standard

Reliability

MTBF	50,000 hrs (by MIL-217 Standard)
Safety	ITE: TUV/GS, CB, CE

Others

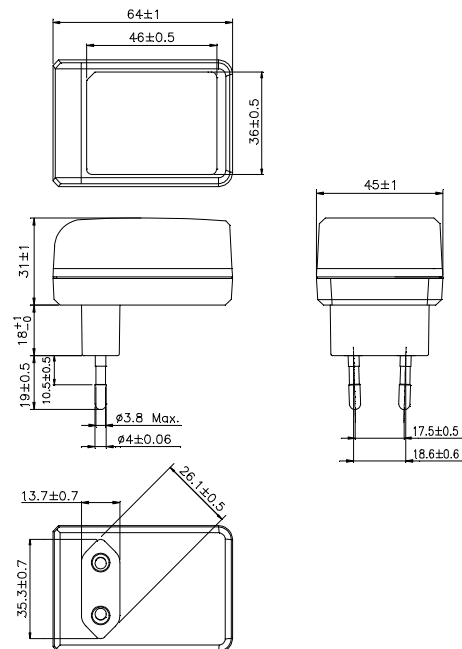
Package	100 pcs/box
Min. Order	1K pcs/lot
Warranty	1 year

Electrical

Topology	Switching Mode
Hi-Pot	3000 Vac/1sec @ 5mA (primary - secondary)
Leakage Current	$\leq 0.25\text{mA}$, at 264VAC/50Hz
Hold Up Time	≥ 6 mSec
Standby Power	≤ 0.075 Watt
EMI	Complies with EMI directives
EU Requirement	Efficiency Level: Tier 2- 2016
CEC Requirement	Efficiency Level: VI

Mechanical

Case Size	64L x 45W x 31H mm
Case Material	Black, 94V-1 or equivalent
Weight	90 \pm 10 g
DC Cord	4.92ft



For reference only. For details please contact your local sales representative