

Check Valve with One-Touch Fitting

Series **AKH/AKB**

Features

- ➔ 3 configurations provide design solutions based on the operating conditions.
- ➔ Straight type, Male Connector type and Bushing type.
- ➔ Can be used for vacuum (-100kPa).



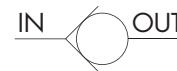
Specifications

| | |
|---|---------------------------------|
| Fluid | Air |
| Proof pressure | 1.5 MPa |
| Operating pressure range | -100 kPa to 1 MPa |
| Cracking pressure | 0.005 MPa |
| Ambient temperature and operating fluid temperature | -5 to 60°C (No freezing) |
| Applicable tubing material ^{Note)} | Nylon, Soft nylon, Polyurethane |

Note) Use caution regarding the max. operating pressure when soft nylon or polyurethane tubing is used.

■ Applicable tubing O.D.: Metric Size

JIS Symbol



How to Order

Straight type **AKH 04- 00**

Male connector type **AKH 04 A - 01 S**

Applicable tubing O.D.

Metric size

| | |
|----|-----|
| 04 | ø4 |
| 06 | ø6 |
| 08 | ø8 |
| 10 | ø10 |
| 12 | ø12 |

• With seal (Standard)
* M5 not required.

• Thread type

Nil R

• Port size

| | |
|----|-----|
| M5 | M5 |
| 01 | 1/8 |
| 02 | 1/4 |
| 03 | 3/8 |
| 04 | 1/2 |

• Check valve free flow direction

| | | |
|---|---------------------------------------|--|
| A | From male thread to One-touch fitting | |
| B | From One-touch fitting to male thread | |

Applicable Tubing O.D./Port Size Combinations

Metric size

| Model | Applicable tubing O.D. | R thread | | | | |
|--------|------------------------|----------|-----|-----|-----|-----|
| | | M5 | 1/8 | 1/4 | 3/8 | 1/2 |
| AKH04□ | ø4 | ● | ● | | | |
| AKH06□ | ø6 | ● | ● | ● | | |
| AKH08□ | ø8 | | ● | ● | ● | |
| AKH10□ | ø10 | | | ● | ● | ● |
| AKH12□ | ø12 | | | | ● | ● |

How to Order

Bushing type

AKB 01 A — 01 S

Body size

| | |
|----|-----|
| 01 | 1/8 |
| 02 | 1/4 |
| 03 | 3/8 |
| 04 | 1/2 |

With seal (Standard)

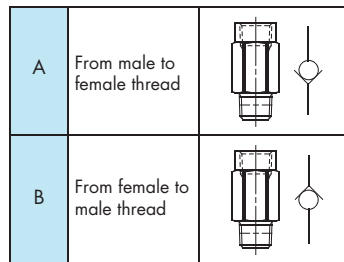
Port size

| | |
|----|-----|
| 01 | 1/8 |
| 02 | 1/4 |
| 03 | 3/8 |
| 04 | 1/2 |

Thread type

| | |
|-----|---|
| Nil | R |
|-----|---|

Check valve free flow direction



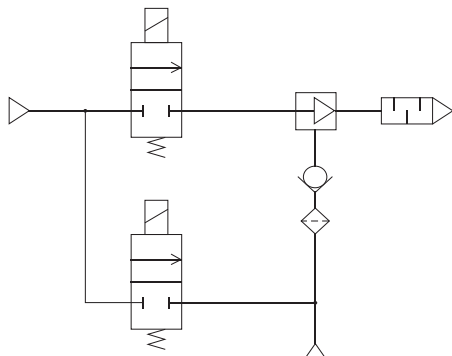
Female/Male Threads Combinations

R thread

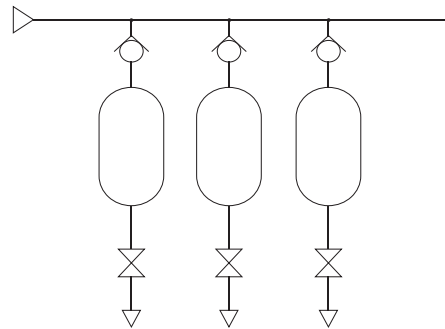
| Model | Female thread Rc | Male thread R | | | |
|--------|------------------|---------------|-----|-----|-----|
| | | 1/8 | 1/4 | 3/8 | 1/2 |
| AKB01□ | 1/8 | ● | | | |
| AKB02□ | 1/4 | | ● | | |
| AKB03□ | 3/8 | | | ● | |
| AKB04□ | 1/2 | | | | ● |

Application Example for Check Valve with One-touch Fitting

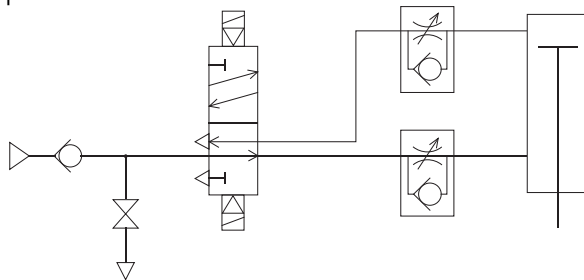
Prevention of reverse flow to vacuum source *
(Simple vacuum holding)



Tank pressure reverse flow prevention



Drop prevention *



* A certain amount of leakage is allowed in the specifications of this product.
Please note that it is not suitable for holding over an extended period of time.