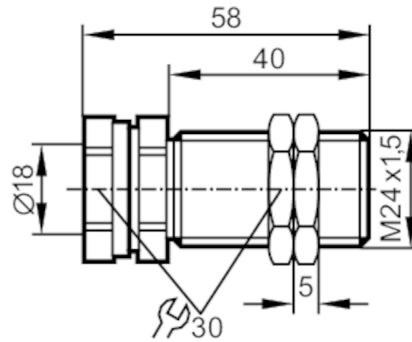


# E10742



## Mounting sleeve with end stop

FIXING/M18/BASIC/MS/END STOP



### Application

Design	with end stop
--------	---------------

### Mechanical data

Weight	[g]	130.5
Dimensions	[mm]	M24 x 1.5
Thread designation		M24 x 1.5
Inside diameter	[mm]	18
Materials		brass nickel-plated
Installation instruction		align the sensing face of the sensor to the right (see scale drawing)
Tightening torque	[Nm]	7; (lock nuts: 40)

### Accessories

Accessories (supplied)	Nuts: 2, nickel-plated brass
------------------------	------------------------------

### Remarks

Pack quantity	1 pcs.
---------------	--------