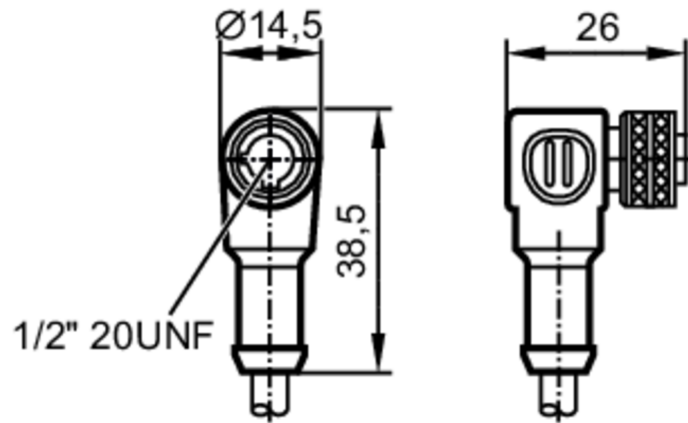


E12282



Connecting cable with socket

AD0AA030MSS0002H03



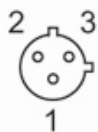
| Application | | |
|--|--------------------------------------|--|
| Special feature | Halogen-free; Drag chain suitability | |
| Electrical data | | |
| Operating voltage [V] | < 250 AC / < 300 DC | |
| Operating conditions | | |
| Ambient temperature [°C] | -25...90 | |
| Protection | IP 67 | |
| Mechanical data | | |
| Weight [g] | 89.8 | |
| Dimensions [mm] | 26 x 14.5 x 38.5 | |
| Materials | TPU black | |
| Material nut | brass, nickel-plated | |
| Drag chain suitability | yes | |
| Drag chain suitability | bending radius for flexible use | min. 10 x cable diameter |
| | travel speed | max. 3.3 m/s for a horizontal travel length of 5 m and max. acceleration of 5 m/s ² |
| | bending cycles | > 2 Mio. |
| | torsional strain | ± 180 °/m |
| Remarks | | |
| Pack quantity | 1 pcs. | |
| Electrical connection | | |
| Cable: 2 m, PUR, Halogen-free, black, Ø 4.8 mm; 3 x 0.5 mm ² (16 x Ø 0.2 mm) | | |
| Electrical connection - socket | | |
| Connector: 1 x 1/2", angled; Moulded body: TPU; Locking: brass, nickel-plated | | |

E12282

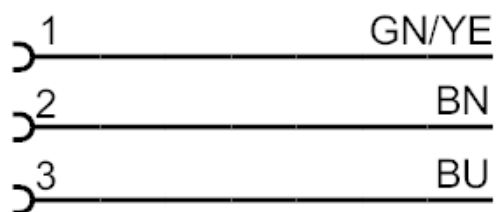


Connecting cable with socket

AD0AA030MSS0002H03



Connection



Core colours :

BN = brown

BU = blue

GN/YE = green/yellow