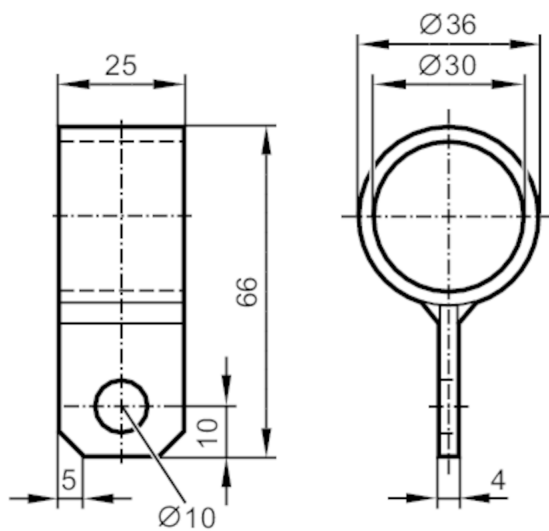


E35065



Mounting bracket

MOUNTING BRACKETS



Application

Design for types M30

Mechanical data

Weight	[g]	81.5
Inside diameter	[mm]	30
Materials		steel (1.0037 / S235JR) galvanised

Remarks

Pack quantity 1 pcs.