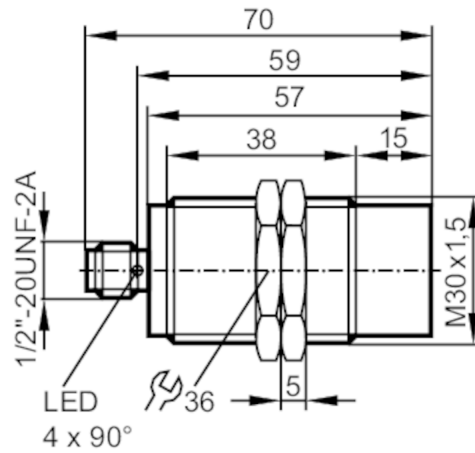




## Inductive sensor

IHK2022-ARKA/M/V4A/LS-104-AK



## Product characteristics

Output function		normally open
Sensing range	[mm]	22
Housing		threaded type
Dimensions	[mm]	M30 x 1.5 / L = 70

## Application

Special feature		Gold-plated contacts
Application		Use in wet areas and in the food and beverage industry

## Electrical data

Operating voltage	[V]	20...140 AC/DC
Protection class		II
Reverse polarity protection		yes
Max. power-on delay time	[ms]	1000



## Inductive sensor

IHK2022-ARKA/M/V4A/LS-104-AK

Outputs		
Output function	normally open	
Max. voltage drop switching output DC [V]	5.5	
Max. voltage drop switching output AC [V]	5.5	
Minimum load current [mA]	5	
Max. leakage current [mA]	1	
Permanent current rating of switching output AC [mA]	80; (200 (...80 °C))	
Permanent current rating of switching output DC [mA]	80; (200 (...80 °C))	
Short-time current rating of switching output [mA]	1200; (20ms / 0,5Hz / 80 mA (> 80°C))	
Switching frequency AC [Hz]	25	
Switching frequency DC [Hz]	100	
Short-circuit protection	yes	
Type of short-circuit protection	pulsed	
Overload protection	yes	
Detection zone		
Sensing range [mm]	22	
Real sensing range Sr [mm]	22 ± 10 %	
Operating distance [mm]	0...17.82	
Accuracy / deviations		
Correction factor	steel: 1 / stainless steel: 0.7 / brass: 0.5 / aluminium: 0.4 / copper: 0.3	
Hysteresis [% of Sr]	3...15	
Switch point drift [% of Sr]	-10...10	
Operating conditions		
Ambient temperature [°C]	0...100	
Protection	IP 68; IP 69K; ("COP")	
Tests / approvals		
EMC	EN 61000-4-2 ESD	4 kV CD / 8 kV AD
	EN 61000-4-3 HF radiated	10 V/m
	EN 61000-4-4 Burst	2 kV
	EN 61000-4-6 HF conducted	10 V
	EN 55011	class B
MTTF [years]	378	
UL approval	Ta	0...40 °C
	Enclosure type	Type 1
	voltage supply	Hazardous voltage
	File number UL	E174191

# IIT002



## Inductive sensor

IIK2022-ARKA/M/V4A/LS-104-AK

Mechanical data		
Weight	[g]	134.1
Housing		threaded type
Mounting		non-flush mountable
Dimensions	[mm]	M30 x 1.5 / L = 70
Thread designation		M30 x 1.5
Materials		stainless steel (1.4404 / 316L); PEEK
Displays / operating elements		
Display	switching status	4 x 90° LED, yellow
Accessories		
Accessories (supplied)		lock nuts: 2
Remarks		
Pack quantity		1 pcs.

### Electrical connection - plug

Connector: 1 x 1/2"; Contacts: gold-plated

