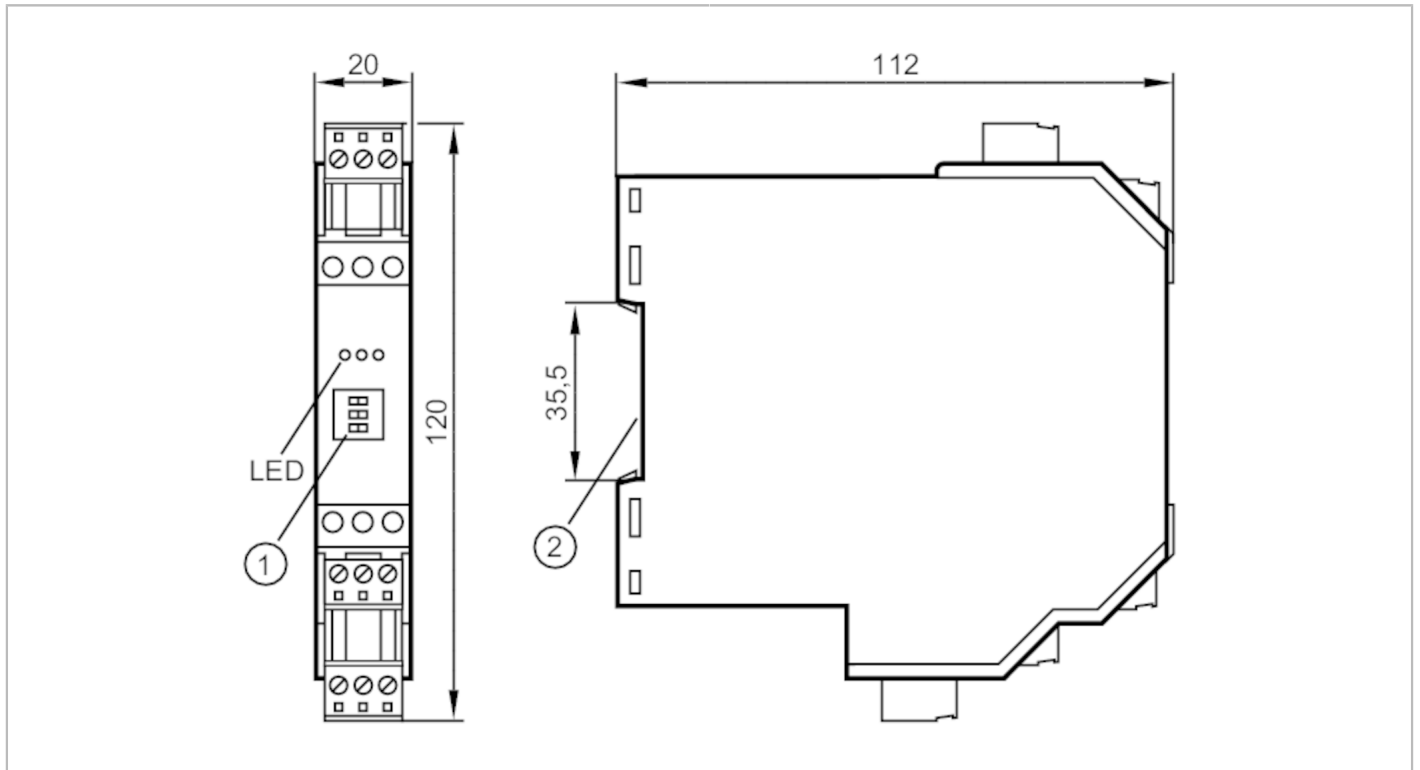


N0531A



Switching amplifiers for Namur sensors

NV1122/24VDC/TR/1D/1G



Product characteristics

Number of inputs and outputs _____ Number of digital outputs: 1

Application

Application _____ short-circuit monitoring; Wire monitoring

Electrical data

Operating voltage tolerance	[%]	-15...25
Operating voltage	[V]	24 DC
Current consumption	[mA]	< 50
Number of channels		1

Inputs / outputs

Number of inputs and outputs _____ Number of digital outputs: 1

Outputs

Electrical design		PNP
Number of digital outputs		1
Max. voltage drop switching output DC	[V]	3.5
Max. current load per output	[mA]	100
Switching frequency DC	[Hz]	5000
Short-circuit proof		yes

Operating conditions

Ambient temperature	[°C]	-20...60
Protection		IP 20

N0531A



Switching amplifiers for Namur sensors

NV1122/24VDC/TR/1D/1G

Tests / approvals		
Approval	PTB 02 ATEX 2037; IECEx PTB 06.0038	
ATEX marking	Ⓔ II (1) G [Ex ia] IIC	
	Ⓔ II (1) D [Ex ia] IIIC	
EMC	EN 50081-2	(1993)
	EN 61326-1	(2006)
MTTF [years]	394	
Mechanical data		
Weight [g]	162	
Displays / operating elements		
Display	switching status	LED, yellow
	operation	LED, green
	function	LED, red
Remarks		
Remarks	Caution The control monitor must be mounted outside the hazardous area. Free terminals must not be used.	
Pack quantity	1 pcs.	

N0531A



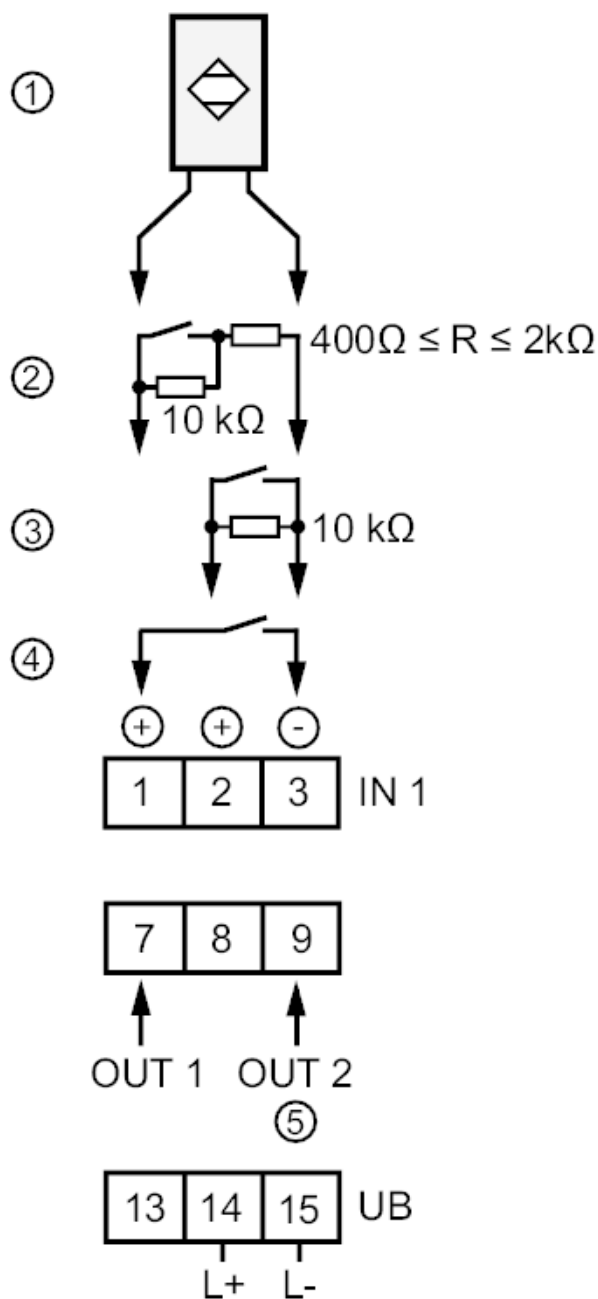
Switching amplifiers for Namur sensors

NV1122/24VDC/TR/1D/1G

Electrical connection

terminals: ...2.5 mm²

Connection



N0531A



Switching amplifiers for Namur sensors

NV1122/24VDC/TR/1D/1G

Other data

Maximum values for control circuit

in protection rating intrinsic safety	[EEx ia] IIC	[EEx ia] IIB	[EEx ib] IIC	[EEx ib] IIB
Voltage [V]	10.5	10.5	10.5	10.5
Current [mA]	13	13	13	13
Power [mW]	34	34	34	34
External inductance [mH]	200	740	200	740
External capacitance [μ F]	2.4	16.8	2.4	16.8