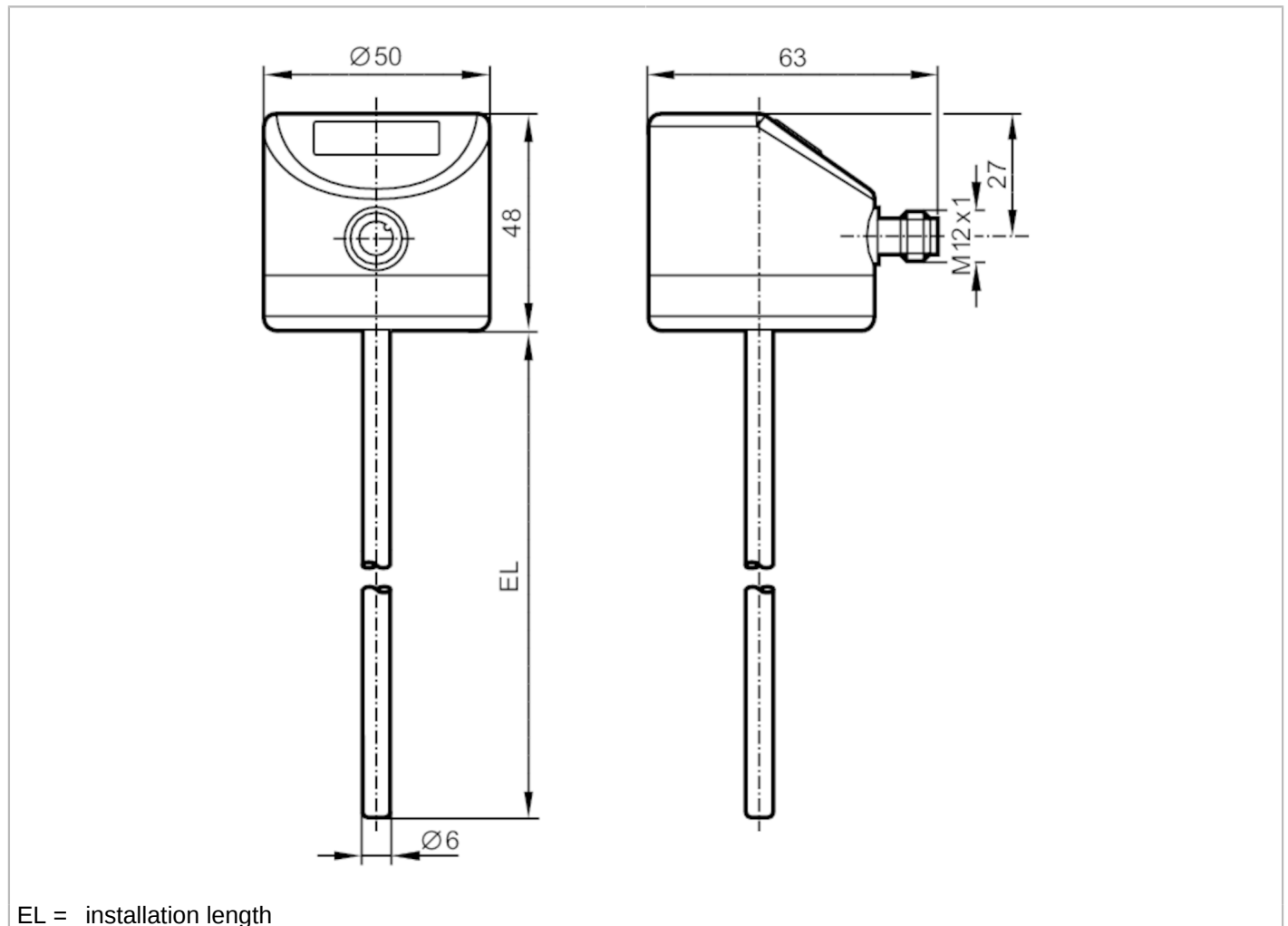


TD2233



Temperature transmitter with display

TD-100FFED06-A-ZVG/US



EL = installation length

EC 1935/2004 EHEDG Certified

| Product characteristics | |
|------------------------------|---|
| Number of inputs and outputs | Number of analogue outputs: 1 |
| Measuring range | -50...150 °C -58...302 °F |
| Process connection | diameter Ø 6 mm |
| Installation length EL [mm] | 100 |
| Application | |
| Measuring element | 1 x Pt 1000; (to DIN EN 60751, class A) |
| Media | liquids and gases |
| Pressure rating [bar] | 160 |
| Vacuum resistance [mbar] | -1000 |
| Electrical data | |
| Operating voltage [V] | 18...32 DC; ("supply class 2" to cULus) |
| Current consumption [mA] | < 50 |
| Protection class | III |
| Reverse polarity protection | yes |
| Power-on delay time [s] | 2 |

TD2233



Temperature transmitter with display

TD-100FFED06-A-ZVG/US

| Inputs / outputs | | |
|--|---|---------------------|
| Number of inputs and outputs | Number of analogue outputs: 1 | |
| Outputs | | |
| Total number of outputs | 1 | |
| Output signal | analogue signal; IO-Link; (configurable) | |
| Number of analogue outputs | 1 | |
| Analogue current output [mA] | 4...20 | |
| Max. load [Ω] | 300 | |
| Short-circuit protection | yes | |
| Overload protection | yes | |
| Measuring/setting range | | |
| Measuring range | -50...150 °C | -58...302 °F |
| Factory setting | 0...300 °F | |
| Resolution | | |
| Resolution of analogue output [K] | 0.04 | |
| Resolution of display [K] | 0.28 | |
| Accuracy / deviations | | |
| Precision analogue output [K] | $\pm 0,3 + (\pm 0,1 \% MS)$ | |
| Temperature coefficient [% of the span / 10 K] | 0,1; (in case of deviation from the reference condition 25 °C) | |
| Response times | | |
| Dynamic response T05 / T09 [s] | 1 / 3 | |
| Interfaces | | |
| Communication interface | IO-Link | |
| Transmission type | COM2 (38,4 kBaud) | |
| IO-Link revision | 1.1 | |
| Operating conditions | | |
| Ambient temperature [°C] | -25...80 | |
| Storage temperature [°C] | -40...100 | |
| Protection | IP 67; IP 68; IP 69K | |
| Tests / approvals | | |
| EMC | DIN EN 61000-6-2 | |
| | DIN EN 61000-6-3 | |
| Shock resistance | DIN IEC 68-2-27 | 50 g (11 ms) |
| Vibration resistance | DIN IEC 68-2-6 | 10 g (10...2000 Hz) |
| MTTF [years] | 407 | |
| Note on approval | factory certificate available as download at www.factory-certificate.ifm | |
| UL approval | UL Approval no. | K001 |

TD2233



Temperature transmitter with display

TD-100FFED06-A-ZVG/US

| Mechanical data | | |
|---|------|---|
| Weight | [g] | 256 |
| Dimensions | [mm] | Ø 6 |
| Materials | | stainless steel (1.4404 / 316L); PEI; FKM |
| Materials (wetted parts) | | stainless steel (1.4404 / 316L) electropolished |
| Process connection | | diameter Ø 6 mm |
| Surface characteristics Ra/Rz of the wetted parts | | Ra: < 0.8 |
| Probe diameter | [mm] | 6 |
| Installation length EL | [mm] | 100 |

| Displays / operating elements | | |
|-------------------------------|--|---|
| Display | | 7-segment LED display, 4-digit display unit / status, °C / °F |

| Remarks | | |
|---------------|--|--|
| Remarks | | MS = set measuring span The values for accuracy apply to flowing water. |
| Pack quantity | | 1 pcs. |

Electrical connection

Connector: 1 x M12



Connection

