



LOAD FEEDER FUSE SW. REVERSING OPERATION, AC 400V, MDL. S0, 7. . . 10A, DC 24V SPRING-LOADED TERMINAL FOR STANDARD RAIL MOUNTING WITH MOUNTING RAIL ADAPTER COORDINATION TYPE 2,IQ = 150KA (ALSO COMPLIES WITH COORDINATION TYPE 1) 1NO+1NC (CONTACTOR)

Figure similar

|   |  |  |
|---|--|--|
| product brand name  |  | SIRIUS   |
| Product designation   |  | non-fused load feeders 3RA2  |
| <b>Manufacturer article number</b>  |  |  |
| <ul style="list-style-type: none"> <li>• of the supplied contactor</li> <li>• of the supplied circuit-breakers</li> <li>• of the supplied RH assembly kit</li> <li>• of the supplied link module</li> <li>• of the supplied standard mounting rail adapter</li> </ul> |  | <a href="#">3RT2024-2BB40</a><br><a href="#">3RV2021-1JA20</a><br><a href="#">3RA2923-1BB2</a><br><a href="#">3RA2921-2AA00</a><br><a href="#">3RA2922-1AA00</a> |

**General technical data:**

|  |    |            |
|--|----|------------|
| <b>Insulation voltage</b>  |    |            |
| <ul style="list-style-type: none"> <li>• with degree of pollution 3 Rated value</li> </ul> | V  | 690        |
| <b>Shock resistance</b>  |    |            |
| <ul style="list-style-type: none"> <li>• acc. to IEC 60068-2-27</li> </ul>                 |    | 6g / 11 ms |
| <b>Surge voltage resistance Rated value</b>  | kV | 6          |
| <b>Type of assignment</b>  |    | 2          |
| <b>Protection class IP</b>   |    |            |
| <ul style="list-style-type: none"> <li>• on the front</li> </ul>                           |    | IP20       |

**Main circuit:**

|  |    |           |
|--|----|-----------|
| <b>Number of poles for main current circuit</b>  |    | 3         |
| <b>Adjustable response value current of the current-dependent overload release</b>                     | A  | 7 ... 10  |
| <b>Operating voltage</b>   |    |           |
| <ul style="list-style-type: none"> <li>• Rated value</li> <li>• at AC-3 Rated value maximum</li> </ul> | V  | 690       |
|  | V  | 690       |
| <b>Operating frequency Rated value</b>   | Hz | 50 ... 60 |

|   |   |       |
|---|---|-------|
| <b>Operating current</b>  |   |       |
| <ul style="list-style-type: none"> <li>• at AC-3</li> <li>— at 400 V Rated value</li> </ul>   | A | 8.5   |
| <b>Operating power</b>  |   |       |
| <ul style="list-style-type: none"> <li>• at AC-3</li> <li>— at 400 V Rated value</li> <li>— at 500 V Rated value</li> <li>— at 690 V Rated value</li> </ul> | W | 4 000 |
|   | W | 5 500 |
|   | W | 7 500 |

#### Control circuit/ Control:

|   |   |     |
|---|---|-----|
| <b>Control supply voltage for DC</b>                            |   |     |
| <ul style="list-style-type: none"> <li>• Rated value</li> </ul> | V | 24  |
| <b>Holding power of the magnet coil for DC</b>                  | W | 5.9 |

#### Auxiliary circuit:

|   |  |     |
|---|--|-----|
| <b>Product expansion Auxiliary switch</b> |  | Yes |
|---|--|-----|

#### Protective and monitoring functions:

|   |  |                      |
|---|--|----------------------|
| <b>Trip class</b>                             |  | CLASS 10             |
| <b>Design of the overload circuit breaker</b> |  | thermal (bimetallic) |

#### UL/CSA ratings:

|  |           |     |
|--|-----------|-----|
| <b>Full-load current (FLA) for three-phase AC motor</b>  |           |     |
| <ul style="list-style-type: none"> <li>• at 480 V Rated value</li> </ul>   | A         | 7.6 |
| <b>yielded mechanical performance [hp]</b>   |           |     |
| <ul style="list-style-type: none"> <li>• for three-phase AC motor at 200/208 V Rated value</li> <li>• for three-phase AC motor at 220/230 V Rated value</li> <li>• for three-phase AC motor at 460/480 V Rated value</li> <li>• for three-phase AC motor at 575/600 V Rated value</li> </ul> | metric hp | 2   |
|  | metric hp | 3   |
|  | metric hp | 5   |
|  | metric hp | 7.5 |

#### Short-circuit:

|  |   |          |
|--|---|----------|
| <b>Product function Short circuit protection</b>   |   | Yes      |
| <b>Design of the short-circuit trip</b>  |   | magnetic |
| <b>Conditional short-circuit current (I<sub>q</sub>)</b>                                       |   |          |
| <ul style="list-style-type: none"> <li>• at 400 V acc. to IEC 60947-4-1 Rated value</li> </ul> | A | 153 000  |

#### Installation/ mounting/ dimensions:

|                          |    |   |
|--------------------------|----|---|
| <b>mounting position</b> |    | vertical  |
| <b>Mounting type</b>     |    | On adapter for screw and snap-on mounting on 35 mm standard mounting rail |
| <b>Height</b>            | mm | 265   |
| <b>Width</b>             | mm | 90  |
| <b>Depth</b>             | mm | 129.9   |

| Required spacing     |    |    |
|----------------------|----|----|
| • for grounded parts |    |    |
| — forwards           | mm | 10 |
| — Backwards          | mm | 0  |
| — upwards            | mm | 30 |
| — at the side        | mm | 9  |
| — downwards          | mm | 10 |
| • for live parts     |    |    |
| — forwards           | mm | 10 |
| — Backwards          | mm | 0  |
| — upwards            | mm | 30 |
| — downwards          | mm | 10 |
| — at the side        | mm | 9  |

#### Connections/ Terminals:

| Type of electrical connection |  |                         |
|-------------------------------|--|-------------------------|
| • for main current circuit    |  | spring-loaded terminals |

#### Safety related data:

|   |   |             |
|---|---|-------------|
| <b>B10 value with high demand rate acc. to SN 31920</b> |   | 1 000 000   |
| <b>Proportion of dangerous failures</b>                 |   |             |
| • with high demand rate acc. to SN 31920                | % | 73          |
| <b>Protection against electrical shock</b>              |   | finger-safe |

#### Mechanical data:

|                                    |  |    |
|------------------------------------|--|----|
| <b>Size of the circuit-breaker</b> |  | S0 |
| <b>Size of load feeder</b>         |  | S0 |

#### Ambient conditions:

| Ambient temperature |    |             |
|---------------------|----|-------------|
| • during operation  | °C | -20 ... +60 |
| • during storage    | °C | -50 ... +80 |
| • during transport  | °C | -50 ... +80 |

#### Certificates/ approvals:

|                          |                                |                           |                   |
|--------------------------|--------------------------------|---------------------------|-------------------|
| General Product Approval | For use in hazardous locations | Declaration of Conformity | Test Certificates |
|--------------------------|--------------------------------|---------------------------|-------------------|



[Declaration of the Compliance with the order](#)

|                   |                   |       |
|-------------------|-------------------|-------|
| Test Certificates | Shipping Approval | other |
|-------------------|-------------------|-------|

[Type Test Certificates/Test Report](#)



[Environmental Confirmations](#)

[Declaration of Conformity](#)

|       |
|-------|
| other |
|-------|

[other](#)

### Further information

**Information- and Downloadcenter (Catalogs, Brochures,...)**

<http://www.siemens.com/industrial-controls/catalogs>

**Industry Mall (Online ordering system)**

<http://www.siemens.com/industrymall>

**Cax online generator**

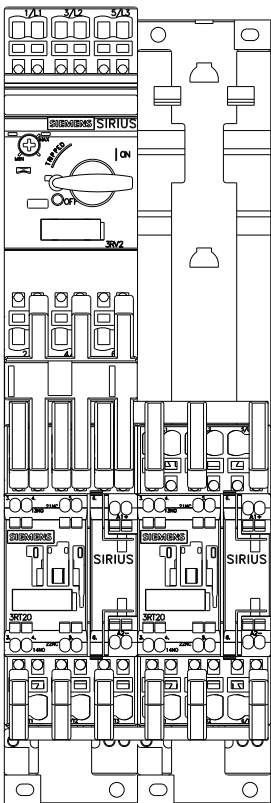
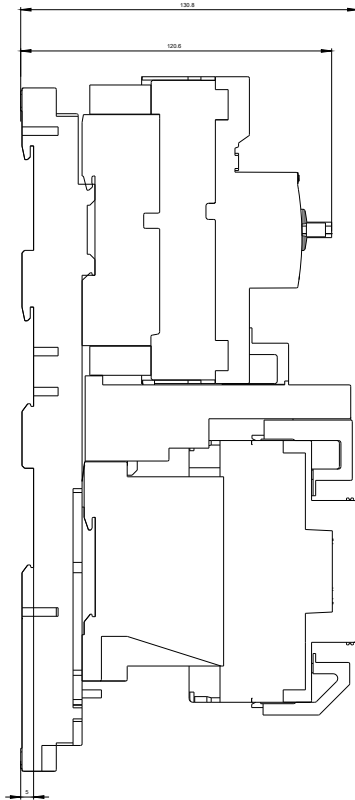
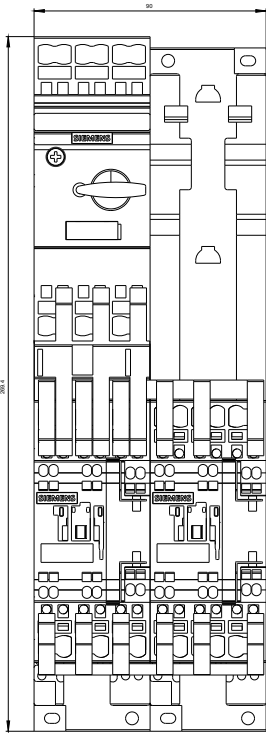
<http://support.automation.siemens.com/WW/CAXorder/default.aspx?lang=en&mlfb=3RA22201JF240BB4>

**Service&Support (Manuals, Certificates, Characteristics, FAQs,...)**

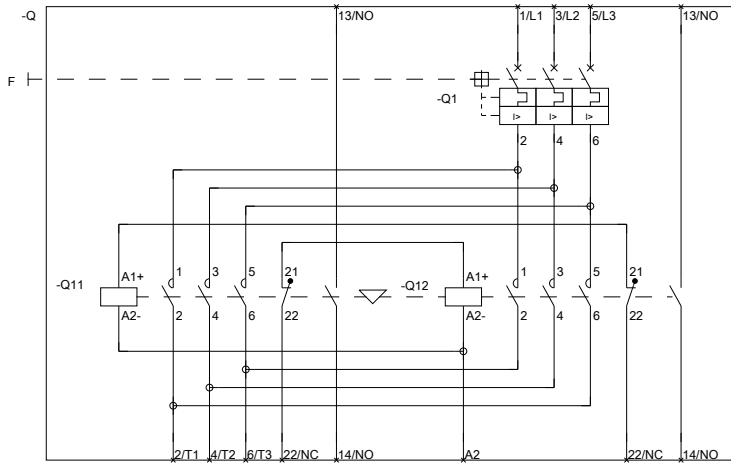
<http://support.automation.siemens.com/WW/view/en/3RA22201JF240BB4/all>

**Image database (product images, 2D dimension drawings, 3D models, device circuit diagrams, EPLAN macros, ...)**

[http://www.automation.siemens.com/bilddb/cax\\_de.aspx?mlfb=3RA22201JF240BB4&lang=en](http://www.automation.siemens.com/bilddb/cax_de.aspx?mlfb=3RA22201JF240BB4&lang=en)



REPARATURANLEITUNG



BEWEISREINBUDS&CE&V.

last modified:

11.03.2015