

Contactor AC3: 90 kW / 400 V Coil DC 24 V x (0,7...1,25) PLC input DC 24...110 V auxiliary contacts: 2 NO + 2 NC 3-pole Size S6 busbar connections coil terminals: spring loaded spring-type



Figure similar

Product brand name	SIRIUS
Product designation	Power contactor
Product type designation	3RT1
General technical data	
Size of contactor	S6
Product extension	Yes
• Auxiliary switch	
Surge voltage resistance rated value	8 kV
maximum permissible voltage for safe isolation	690 V
• between coil and main contacts acc. to EN 60947-1	
Protection class IP	IP00; IP20 on the front with cover / box terminal
• on the front	
• of the terminal	IP00
Shock resistance	Category 1, Class B
• for railway applications acc. to DIN EN 61373	
Shock resistance at rectangular impulse	

<ul style="list-style-type: none"> • at DC 	8,5g / 5 ms, 4,2g / 10 ms
Shock resistance with sine pulse	
<ul style="list-style-type: none"> • at DC 	13,4g / 5 ms, 6,5g / 10 ms
Mechanical service life (switching cycles)	
<ul style="list-style-type: none"> • of contactor typical 	10 000 000
<ul style="list-style-type: none"> • of the contactor with added electronics-compatible auxiliary switch block typical 	5 000 000
<ul style="list-style-type: none"> • of the contactor with added auxiliary switch block typical 	10 000 000

Ambient conditions

Installation altitude at height above sea level	
<ul style="list-style-type: none"> • maximum 	2 000 m
Ambient temperature	
<ul style="list-style-type: none"> • during operation 	-40 ... +70 °C
<ul style="list-style-type: none"> • during storage 	-55 ... +80 °C

Main circuit

Number of poles for main current circuit	3
Number of NO contacts for main contacts	3
Number of NC contacts for main contacts	0
Operating voltage	
<ul style="list-style-type: none"> • at AC-3 rated value maximum 	1 000 V
Operating current	
<ul style="list-style-type: none"> • at AC-1 at 400 V <ul style="list-style-type: none"> — at ambient temperature 40 °C rated value 	215 A
<ul style="list-style-type: none"> • at AC-1 <ul style="list-style-type: none"> — up to 690 V at ambient temperature 40 °C rated value 	215 A
<ul style="list-style-type: none"> — up to 690 V at ambient temperature 60 °C rated value 	185 A
<ul style="list-style-type: none"> • at AC-2 at 400 V rated value 	185 A
<ul style="list-style-type: none"> • at AC-3 <ul style="list-style-type: none"> — at 400 V rated value 	185 A
<ul style="list-style-type: none"> — at 500 V rated value 	185 A
<ul style="list-style-type: none"> — at 690 V rated value 	170 A
Connectable conductor cross-section in main circuit at AC-1	
<ul style="list-style-type: none"> • at 60 °C minimum permissible 	95 mm ²
<ul style="list-style-type: none"> • at 40 °C minimum permissible 	95 mm ²
Operating current for approx. 200000 operating cycles at AC-4	
<ul style="list-style-type: none"> • at 400 V rated value 	81 A
<ul style="list-style-type: none"> • at 690 V rated value 	65 A

Operating current	
<ul style="list-style-type: none"> • at 1 current path at DC-1 <ul style="list-style-type: none"> — at 24 V rated value — at 110 V rated value — at 220 V rated value — at 440 V rated value — at 600 V rated value • with 2 current paths in series at DC-1 <ul style="list-style-type: none"> — at 24 V rated value — at 110 V rated value — at 220 V rated value — at 440 V rated value — at 600 V rated value • with 3 current paths in series at DC-1 <ul style="list-style-type: none"> — at 24 V rated value — at 110 V rated value — at 220 V rated value — at 440 V rated value — at 600 V rated value 	<p>160 A</p> <p>18 A</p> <p>3.4 A</p> <p>0.8 A</p> <p>0.5 A</p> <p>160 A</p> <p>160 A</p> <p>20 A</p> <p>3.2 A</p> <p>1.6 A</p> <p>160 A</p> <p>160 A</p> <p>160 A</p> <p>11.5 A</p> <p>4 A</p>
Operating current	
<ul style="list-style-type: none"> • at 1 current path at DC-3 at DC-5 <ul style="list-style-type: none"> — at 24 V rated value — at 110 V rated value — at 220 V rated value — at 440 V rated value — at 600 V rated value • with 2 current paths in series at DC-3 at DC-5 <ul style="list-style-type: none"> — at 24 V rated value — at 110 V rated value — at 220 V rated value — at 440 V rated value — at 600 V rated value • with 3 current paths in series at DC-3 at DC-5 <ul style="list-style-type: none"> — at 24 V rated value — at 110 V rated value — at 220 V rated value — at 440 V rated value — at 600 V rated value 	<p>160 A</p> <p>2.5 A</p> <p>0.6 A</p> <p>0.17 A</p> <p>0.12 A</p> <p>160 A</p> <p>160 A</p> <p>2.5 A</p> <p>0.65 A</p> <p>0.37 A</p> <p>160 A</p> <p>160 A</p> <p>160 A</p> <p>1.4 A</p> <p>0.75 A</p>
Operating power	
<ul style="list-style-type: none"> • at AC-1 <ul style="list-style-type: none"> — at 230 V at 60 °C rated value 	<p>70 kW</p>

— at 400 V rated value	121 kW
— at 400 V at 60 °C rated value	121 kW
— at 690 V rated value	210 kW
— at 690 V at 60 °C rated value	210 kW
• at AC-2 at 400 V rated value	90 kW
• at AC-3	
— at 230 V rated value	61 kW
— at 400 V rated value	90 kW
— at 500 V rated value	132 kW
— at 690 V rated value	160 kW
Operating power for approx. 200000 operating cycles at AC-4	
• at 400 V rated value	45 kW
• at 690 V rated value	65 kW
Thermal short-time current limited to 10 s	1.48 kA
Power loss [W] at AC-3 at 400 V for rated value of the operating current per conductor	13 W
No-load switching frequency	
• at DC	1 000 1/h
Operating frequency	
• at AC-1 maximum	800 1/h
• at AC-2 maximum	300 1/h
• at AC-3 maximum	750 1/h
• at AC-4 maximum	130 1/h
Operating frequency	
• at DC-1 maximum	400 1/s
• at DC-3 maximum	350 1/s
• at DC-5 maximum	350 1/s
Ratings for railway applications	
Thermal current (I_{th}) up to 690 V	
• up to 40 °C according to IEC 60077 rated value	215 A
• up to 70 °C according to IEC 60077 rated value	145 A
Connectable conductor cross-section in main circuit	
• up to 40 °C according to IEC 60077 rated value minimum permissible	95 mm ²
• up to 70 °C according to IEC 60077 rated value minimum permissible	95 mm ²
Control circuit/ Control	
Type of voltage of the control supply voltage	DC
Control supply voltage at DC	
• rated value	24 V

Operating range factor control supply voltage rated value of magnet coil at DC	
• initial value	0.7
• Full-scale value	1.25
Design of the surge suppressor	with varistor
Closing power of magnet coil at DC	320 W
Holding power of magnet coil at DC	2.8 W
Closing delay	
• at DC	35 ... 75 ms
Opening delay	
• at DC	80 ... 90 ms
Arcing time	10 ... 15 ms
Control version of the switch operating mechanism	PLC-IN or Standard A1 - A2 (adjustable)

Auxiliary circuit

Number of NC contacts	
• for auxiliary contacts	
— instantaneous contact	2
Number of NO contacts	
• for auxiliary contacts	
— instantaneous contact	2
Operating current at AC-12 maximum	10 A
Operating current at AC-15	
• at 230 V rated value	6 A
• at 400 V rated value	3 A
• at 500 V rated value	2 A
Operating current at DC-12	
• at 24 V rated value	10 A
• at 48 V rated value	6 A
• at 60 V rated value	6 A
• at 110 V rated value	3 A
• at 125 V rated value	2 A
• at 220 V rated value	1 A
• at 600 V rated value	0.15 A
Operating current at DC-13	
• at 24 V rated value	6 A
• at 48 V rated value	2 A
• at 60 V rated value	2 A
• at 110 V rated value	1 A
• at 125 V rated value	0.9 A
• at 220 V rated value	0.3 A
• at 600 V rated value	0.1 A
Contact reliability of auxiliary contacts	1 faulty switching per 100 million (17 V, 1 mA)

UL/CSA ratings

Full-load current (FLA) for three-phase AC motor	
<ul style="list-style-type: none"> • at 480 V rated value • at 600 V rated value 	<p>180 A</p> <p>192 A</p>
Yielded mechanical performance [hp]	
<ul style="list-style-type: none"> • for single-phase AC motor <ul style="list-style-type: none"> — at 230 V rated value • for three-phase AC motor <ul style="list-style-type: none"> — at 200/208 V rated value — at 220/230 V rated value — at 460/480 V rated value — at 575/600 V rated value 	<p>230 hp</p> <p>60 hp</p> <p>75 hp</p> <p>150 hp</p> <p>200 hp</p>
Contact rating of auxiliary contacts according to UL	A600 / Q600

Short-circuit protection

Design of the fuse link	
<ul style="list-style-type: none"> • for short-circuit protection of the main circuit <ul style="list-style-type: none"> — with type of coordination 1 required — with type of assignment 2 required • for short-circuit protection of the auxiliary switch required 	<p>Fuse gG: 355 A</p> <p>Fuse gG: 315 A</p> <p>fuse gG: 10 A</p>

Installation/ mounting/ dimensions

Mounting position	with vertical mounting surface +/-90° rotatable, with vertical mounting surface +/- 22.5° tiltable to the front and back
Mounting type	screw fixing
<ul style="list-style-type: none"> • Side-by-side mounting 	Yes
Height	172 mm
Width	120 mm
Depth	170 mm
Required spacing	
<ul style="list-style-type: none"> • with side-by-side mounting <ul style="list-style-type: none"> — forwards — Backwards — upwards — downwards — at the side • for grounded parts <ul style="list-style-type: none"> — forwards — Backwards — upwards — at the side — downwards 	<p>20 mm</p> <p>0 mm</p> <p>10 mm</p> <p>10 mm</p> <p>10 mm</p> <p>20 mm</p> <p>0 mm</p> <p>10 mm</p> <p>10 mm</p> <p>10 mm</p>

• for live parts	
— forwards	10 mm
— Backwards	0 mm
— upwards	10 mm
— downwards	10 mm
— at the side	10 mm

Connections/Terminals

Type of electrical connection	
• for main current circuit	screw-type terminals
• for auxiliary and control current circuit	spring-loaded terminals
Type of connectable conductor cross-sections	
• for main contacts	
— stranded	2x (25 ... 120 mm ²)
— single or multi-stranded	2x (25 ... 120 mm ²)
• at AWG conductors for main contacts	4 ... 250 kcmil
Type of connectable conductor cross-sections	
• for auxiliary contacts	
— single or multi-stranded	2x (0,25 ... 2,5 mm ²)
— finely stranded with core end processing	2x (0.25 ... 1.5 mm ²)
— finely stranded without core end processing	2x (0.25 ... 2.5 mm ²)
• at AWG conductors for auxiliary contacts	2x (24 ... 14)

Safety related data

Product function	
• Mirror contact acc. to IEC 60947-4-1	Yes
• positively driven operation acc. to IEC 60947-5-1	No

Certificates/approvals

General Product Approval	Functional Safety/Safety of Machinery	Declaration of Conformity
--------------------------	---------------------------------------	---------------------------



[Type Examination Certificate](#)



Test Certificates	Marine / Shipping	other	Railway
-------------------	-------------------	-------	---------

[Special Test Certificate](#)



[Confirmation](#)

[Miscellaneous](#)

[Vibration and Shock](#)

[Confirmation](#)

Further information

Information- and Downloadcenter (Catalogs, Brochures,...)

<http://www.siemens.com/industrial-controls/catalogs>

Industry Mall (Online ordering system)

<https://mall.industry.siemens.com/mall/en/en/Catalog/product?mlfb=3RT1056-2XB46-0LA2>

Cax online generator

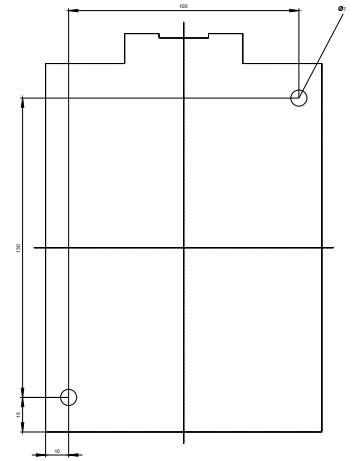
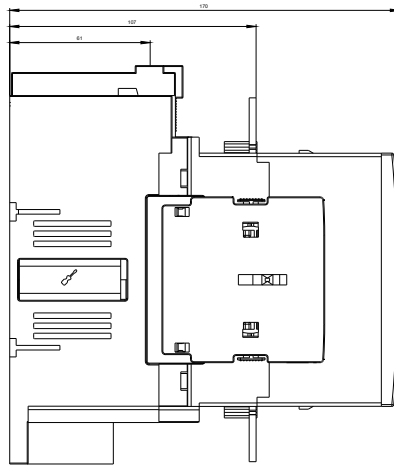
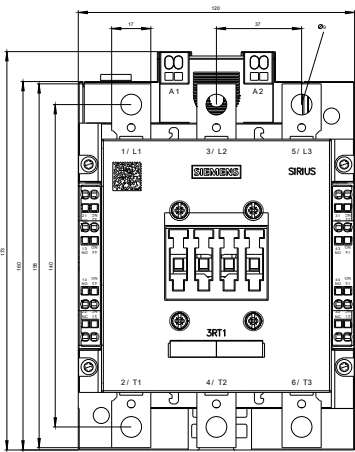
<http://support.automation.siemens.com/WW/CAXorder/default.aspx?lang=en&mlfb=3RT1056-2XB46-0LA2>

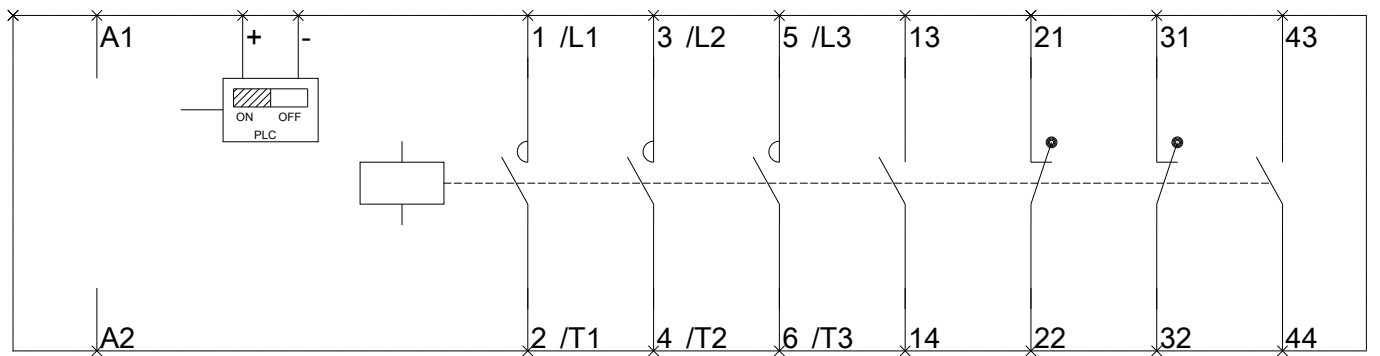
Service&Support (Manuals, Certificates, Characteristics, FAQs,...)

<https://support.industry.siemens.com/cs/ww/en/ps/3RT1056-2XB46-0LA2>

Image database (product images, 2D dimension drawings, 3D models, device circuit diagrams, EPLAN macros, ...)

http://www.automation.siemens.com/bilddb/cax_de.aspx?mlfb=3RT1056-2XB46-0LA2&lang=en





last modified:

10/13/2017