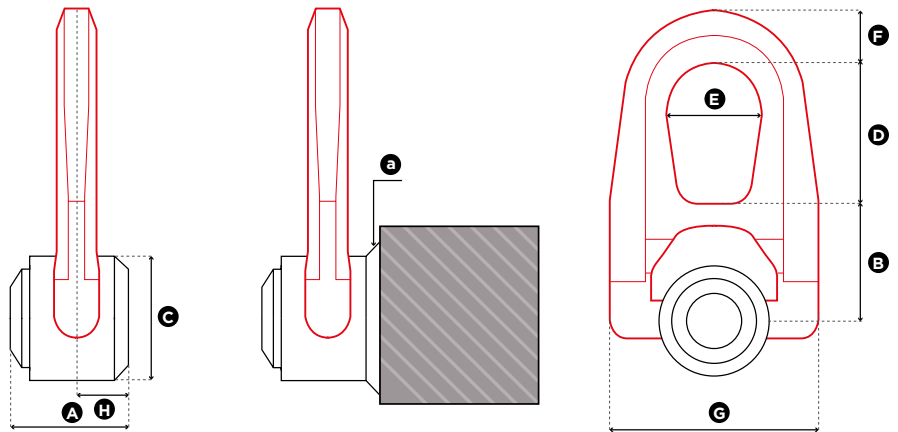
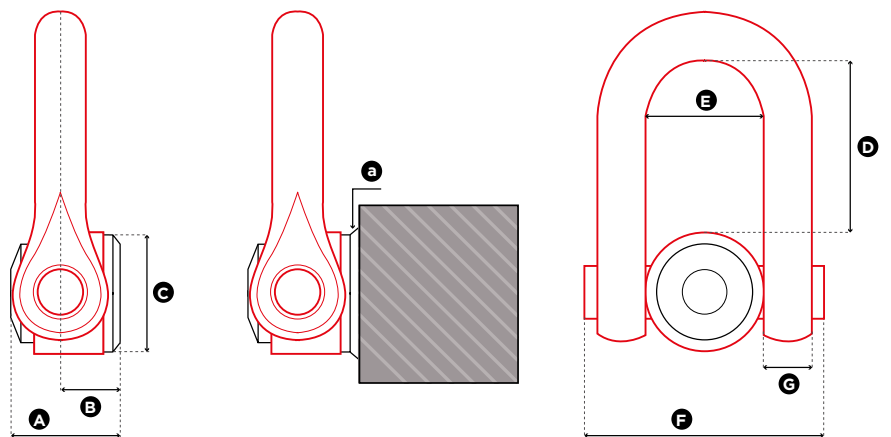


WELD-ON SWIVEL HOIST RING



1 in = 25.4 mm

Reference	SF 5:1 WLL (t)	SF 5:1 WLL (lbs)	a (mm)	A (mm)	B (mm)	C (mm)	D (mm)	E (mm)	F (mm)	G (mm)	H (mm)	Weight (kg)
WE.DSR 2	2,00	4,400	5	44	40	45	53	38	17	76	20	0,9
WE.DSR 5	5,00	11,000	6	60	55	60	83	55	25	115	24	2,6



1 in = 25.4 mm

Reference	SF 5:1 WLL (t)	SF 5:1 WLL (lbs)	a (mm)	A (mm)	B (mm)	C (mm)	D (mm)	E (mm)	F (mm)	G (mm)	Weight (kg)
WE.DSS 10	10,00	22,000	7	74	44	70	104	73	149	33	5,5