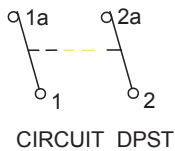
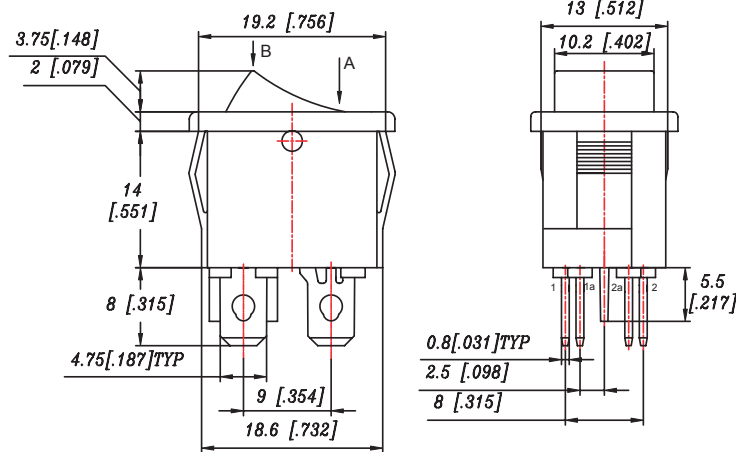
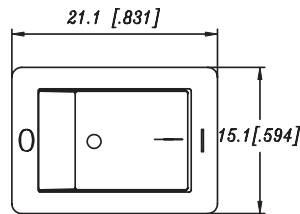


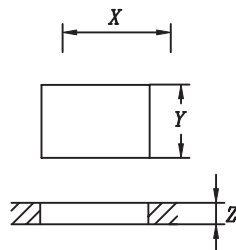
**RoHS
Compliant**

Specification

General Tolerance	: >10 ±0.4 <10 ±0.25
Electrical Rating	: 6A 250V AC & 12A 125V AC(UL); 4(1)A 250V AC
Contact Resistance	: 120mΩ(initial)
Insulation Resistance	: 1000MΩ (500V DC between open contacts)
Dielectric Strength	: >1500V 1 minute
Mechanical Life	: >30000 cycles
Electrical Life	: >10000 cycles
Temperature rise at the terminal	: Max.30°C
Solder Ability of terminal	: Max 350°C, 3S (no pressure may be placed in the terminals when soldering by hand)



POLE FUNCTION	OPTIONS OF FUNCTION		
	A	—	B
DPST	1-1a 2-2a	—	OFF



Rocker Switch

•	— ○ =	I ○ II	I II		I ○	— ○	△ ○ ▽	ON OFF
A	B	C	D	E	F	G	H	I
					✓			

Panel Cut-Out		
Z	Y	X
0.7 to 1.25 (.028 to .049)	12.9 to 13.1 (.508 to .515)	19.1 to 19.2 (.752 to .756)
1.25 to 2 (.049 to .079)	12.9 to 13.1 (.508 to .515)	19.3 to 19.4 (.760 to .764)
2 to 3 (.079 to .118)	12.9 to 13.1 (.508 to .515)	19.4 to 19.6 (.764 to .772)
3 to 4 (.118 to .157)	12.9 to 13.1 (.508 to .515)	19.6 to 19.8 (.772 to .780)

Tolerances

0.00 mm ±0.25mm
 0.0mm ±0.4mm

Part Number Table

Description	Part Number
Rocker Switch, DPST, On-Off, Quick Connect	MP004686

Important Notice : This data sheet and its contents (the "Information") belong to the members of the AVNET group of companies (the "Group") or are licensed to it. No licence is granted for the use of it other than for information purposes in connection with the products to which it relates. No licence of any intellectual property rights is granted. The Information is subject to change without notice and replaces all data sheets previously supplied. The Information supplied is believed to be accurate but the Group assumes no responsibility for its accuracy or completeness, any error in or omission from it or for any use made of it. Users of this data sheet should check for themselves the Information and the suitability of the products for their purpose and not make any assumptions based on information included or omitted. Liability for loss or damage resulting from any reliance on the Information or use of it (including liability resulting from negligence or where the Group was aware of the possibility of such loss or damage arising) is excluded. This will not operate to limit or restrict the Group's liability for death or personal injury resulting from its negligence. Multicomp Pro is the registered trademark of Premier Farnell Limited 2019.

Newark.com/multicomp-pro
 Farnell.com/multicomp-pro
 Element14.com/multicomp-pro