

Part Number: L-1503CB/1GD

GREEN

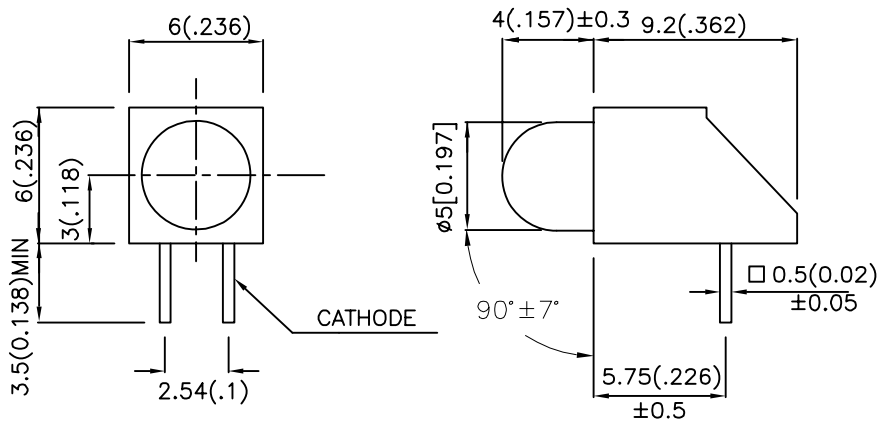
Features

- LOW POWER CONSUMPTION.
- VERSATILE MOUNTING ON P.C. BOARD OR PANEL.
- T-1 3/4 DIAMETER FLANGELESS PACKAGE.
- RELIABLE AND RUGGED.
- UL RATING : 94V-0.
- HOUSING MATERIAL: TYPE 66 NYLON.
- RoHS COMPLIANT.

Description

The Green source color devices are made with Gallium Phosphide Green Light Emitting Diode.

Package Dimensions



Notes:

1. All dimensions are in millimeters (inches).
2. Tolerance is $\pm 0.25(0.01)$ unless otherwise noted.
3. Lead spacing is measured where the leads emerge from the package.
4. Specifications are subject to change without notice.



Selection Guide

| Part No. | Dice | Lens Type | Iv (mcd) [2] @ 10mA | | Viewing Angle [1] |
|--------------|-------------|----------------|------------------------|------|----------------------|
| | | | Min. | Typ. | 2θ1/2 |
| L-1503CB/1GD | GREEN (GaP) | GREEN DIFFUSED | 5 | 20 | 60° |

Notes:

1. 0.1/2 is the angle from optical centerline where the luminous intensity is 1/2 the optical centerline value.
2. * Luminous intensity with asterisk is measured at 10mA; Luminous intensity / luminous flux: +/-15%.

Electrical / Optical Characteristics at TA=25°C

| Symbol | Parameter | Device | Typ. | Max. | Units | Test Conditions |
|-----------------------|--------------------------|--------|------|------|-------|-----------------|
| λ_{peak} | Peak Wavelength | Green | 565 | | nm | IF=20mA |
| λ_D [1] | Dominant Wavelength | Green | 568 | | nm | IF=20mA |
| $\Delta\lambda_{1/2}$ | Spectral Line Half-width | Green | 30 | | nm | IF=20mA |
| C | Capacitance | Green | 15 | | pF | VF=0V;f=1MHz |
| VF [2] | Forward Voltage | Green | 2.2 | 2.5 | V | IF=20mA |
| IR | Reverse Current | Green | | 10 | uA | VR = 5V |

Notes:

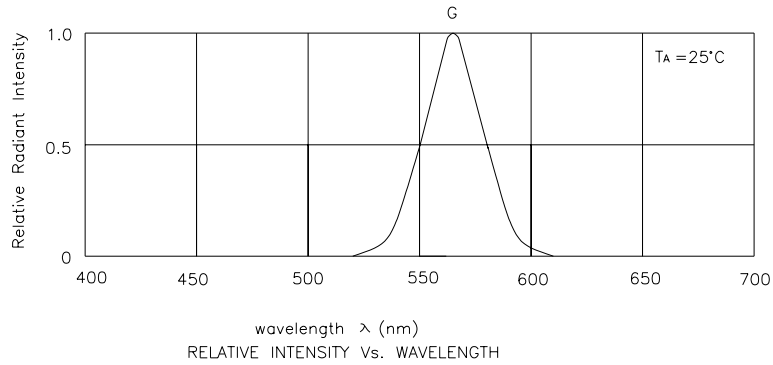
1. Wavelength: +/-1nm.
2. Forward Voltage: +/-0.1V.

Absolute Maximum Ratings at TA=25°C

| Parameter | Green | Units |
|-------------------------------|---------------------|-------|
| Power dissipation | 62.5 | mW |
| DC Forward Current | 25 | mA |
| Peak Forward Current [1] | 140 | mA |
| Reverse Voltage | 5 | V |
| Operating/Storage Temperature | -40°C To +85°C | |
| Lead Solder Temperature [2] | 260°C For 3 Seconds | |
| Lead Solder Temperature [3] | 260°C For 5 Seconds | |

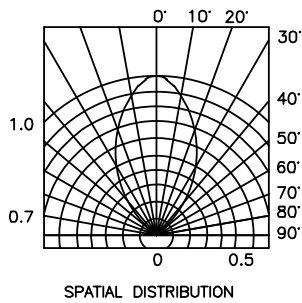
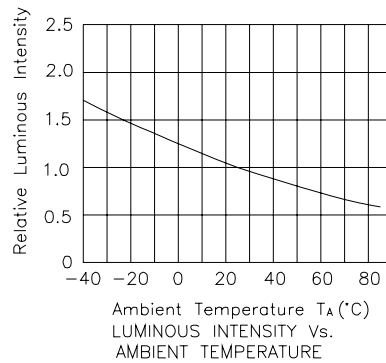
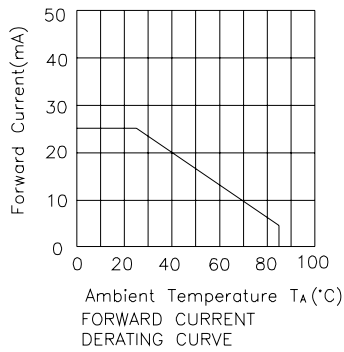
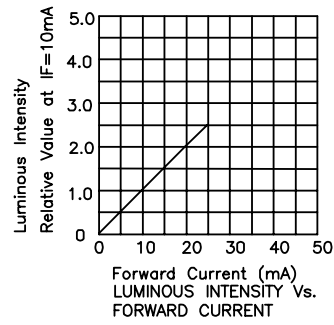
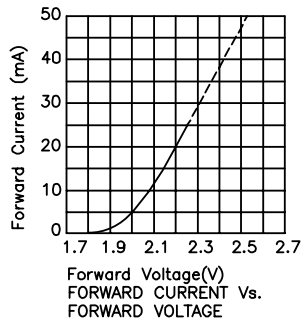
Notes:

1. 1/10 Duty Cycle, 0.1ms Pulse Width.
2. 2mm below package base.
3. 5mm below package base.



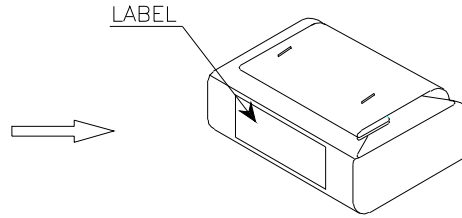
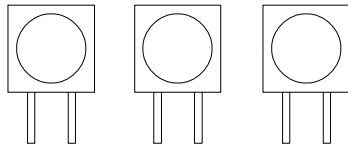
Green

L-1503CB/1GD



PACKING & LABEL SPECIFICATIONS

L-1503CB/1GD

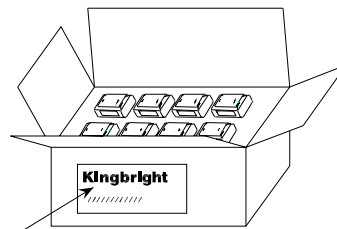


500PCS / BAG



32K / 9# BOX

OUTSIDE LABEL



OUTSIDE LABEL

16K / 5# BOX

| | | | | |
|-----------------------|--|----|----------|--------|
| <h1>Kingbright</h1> | | | | |
| Q.C. | <table border="1"> <tr> <td>QC</td> </tr> <tr> <td>xx xx xx</td> </tr> <tr> <td>PASSED</td> </tr> </table> | QC | xx xx xx | PASSED |
| QC | | | | |
| xx xx xx | | | | |
| PASSED | | | | |
| TYPE NO : L-1503CBXXX | | | | |
| QUANTITY : 500 pcs | | | | |
| S/N : XX | CODE: XX | | | |
| LOT NO | | | | |
| MADE IN CHINA | RoHS Compliant | | | |