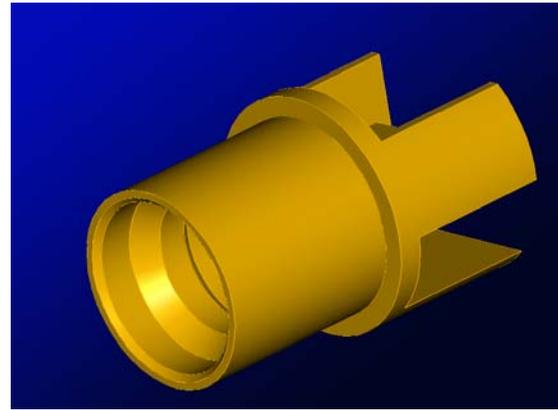


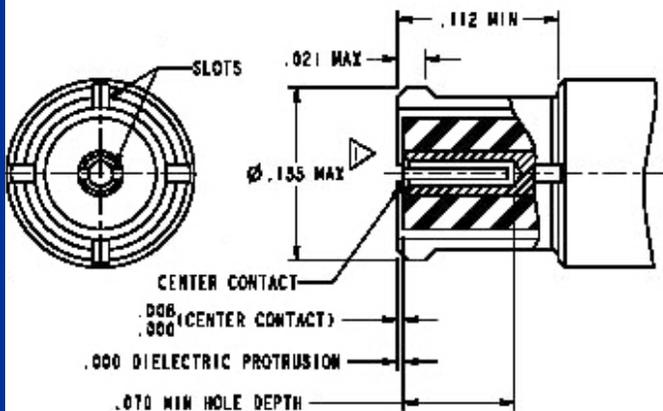
Amphenol® RF

SMP Connectors

The SMP interface is a microminiature interface on the same scale as MMCX connectors but offers a frequency range of DC to 40 GHz. It is commonly used in miniaturized high frequency coaxial modules and is offered in both push-on and snap-on mating styles.



SMP Edge Mount PCB



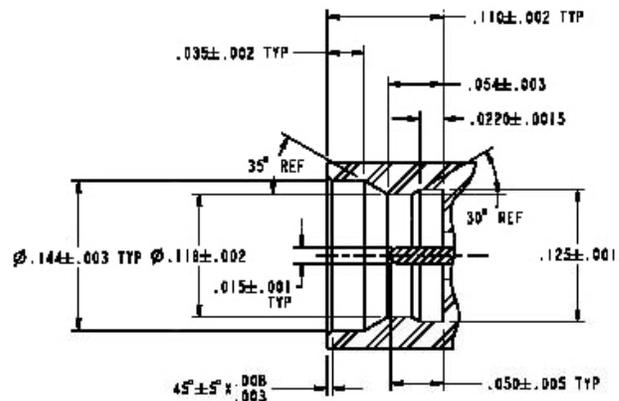
SMP Female

Applications:

- Optical Nodes
- Board to Board Interconnect
- Aerospace
- Routers
- Broadband
- Telecom
- Instrumentation

Features:

- Smaller Package Size
- Higher Frequency Range (typically used to 20 GHz)
- Compensate for Radial and Axial Misalignment



SMP Male

SMP Connectors

Ordering Information: Part Number Overview: SMP-XYZZ-###

<p>SMP: SMP Series</p> <p>X: Connector Sex</p> <ul style="list-style-type: none"> • M (Male/Plug) • F (Female/Jack) <p>Y: Body Style</p> <ul style="list-style-type: none"> • S (Straight) • R (Right Angle) <p>ZZ: Interface Configuration</p> <ul style="list-style-type: none"> • Males <ul style="list-style-type: none"> ○ FD (Full Detent) ○ LD (Limited Detent) ○ SB (Smooth Bore) ○ CM (Catcher's Mitt) • Females <ul style="list-style-type: none"> ○ (Blank) (Cable Mount) ○ BA (Bullet Adapters) 	<p>###: Mounting Style</p> <ul style="list-style-type: none"> • PCB Mounts <ul style="list-style-type: none"> ○ PCE (Edge-Mount) ○ PCR (Rear-Mount) ○ PCS (Surface-Mount) ○ PCT (Thru-Hole) • Cable Mounts <ul style="list-style-type: none"> ○ C06 (.047" Semi-Rigid Cable) ○ C07 (.086" Semi-Rigid Cable) • Bullet Adapter Mounts(Female-Female) <ul style="list-style-type: none"> ○ 645 (6.45mm Bullet) ○ 990 (9.90mm Bullet) ○ 145 (14.5mm Bullet) ○ 224 (22.4mm Bullet)
---	---

SMP Bullet Family (Female-Female)

SMP-FSBA-645: 6.45mm Bullet
 SMP-FSBA-990: 9.90mm Bullet
 SMP-FSBA-145: 14.5mm Bullet
 SMP-FSBA-224: 22.4mm Bullet

Note: Bullets can be customized to any length

Cable Connectors

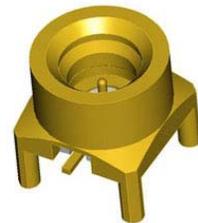
SMP-FS-C06: Female Straight to .047 S/R
 SMP-FS-C07: Female Straight to .086 S/R
 SMP-FR-C06: Female R/A to .047 S/R
 SMP-FR-C07: Female R/A to .086 S/R

Male PCB Connectors:

SMP-MSCM-PCT: Straight Thru-Hole Catcher's Mitt
 SMP-MSFD-PCT: Straight Thru-Hole Full Detent
 SMP-MSLD-PCT: Straight Thru-Hole Limited Detent
 SMP-MSSB-PCT: Straight Thru-Hole Smooth Bore
 SMP-MSCM-PCS: Straight Surface Mount Catcher's Mitt
 SMP-MSFD-PCS: Straight Surface Mount Full Detent
 SMP-MSLD-PCS: Straight Surface Mount Limited Detent
 SMP-MSSB-PCS-1: Straight Surface Mount Smooth Bore



SMP-FS-C07



SMP-MSLD-PCT

SMP-MSCM-PCR: Straight Rear Mount Catcher's Mitt
 SMP-MSFD-PCR: Straight Rear Mount Full Detent
 SMP-MSLD-PCR: Straight Rear Mount Limited Detent
 SMP-MSSB-PCR: Straight Rear Mount Smooth Bore
 SMP-MSCM-PCE: Straight Edge Mount Catcher's Mitt
 SMP-MSFD-PCE: Straight Edge Mount Full Detent
 SMP-MSLD-PCE: Straight Edge Mount Limited Detent
 SMP-MSSB-PCE: Straight Edge Mount Smooth Bore

Item	Specification	Conditions
1. Impedance	50 Ω (Nominal)	
2. Frequency Range	DC - 40 GHz	
3. V.S.W.R.	1.50 max.	0-20 GHz
4. Durability	100 cycles	(Full Detent)
5. Engagement Force	8 lb typical	
6. Disengagement Force	2 lb min	(With Detent)
7. Radial Float	.020 in total	
8. Axial Float	.010 in total	
9. Materials		
Female Body	Gold over beryllium copper	
Male Body	Gold over brass	
Socket Contact	Gold over beryllium copper	
Pin Contact	Gold over brass	
Insulator	PTFE	