




## Product information CM 02 E 20-27 P

Industrial Connecting Solutions: Circular Connectors: MIL, DIN, Universal Connectors: MIL-C-5015 or VG 95342 Connectors (CM series): Surface mounted connector: CM 02 E 20-27 P

<https://e-catalog.hirschmann.com:443/link/57078-24228-256281-256284-24363-24365-36156/en/conf/uisstate>

Name	CM 02 E 20-27 P
	
	Surface mounted connector, with flange, with solder bucket
<b>Delivery informations</b>	
Availability	available
<b>Product description</b>	
Description	Surface mounted connector, with flange, with solder bucket
Type	CM 02 E 20-27 P
Order No.	933 062-100
Number of contacts	14 + PE
Cable diameter	12 mm bis 14 mm
Conductor size	max. 1.5 mm <sup>2</sup>
Standard	MIL-C 5015 bzw. VG 95 342
Housing Color	black
<b>Technical data</b>	
Pin dimensions	1.6 mm
Rated voltage	AC/DC 50 V
Rated current	10 A
Contact resistance	<= 5 mOhm
Type of termination	solder
Shell size	20
Mounting	screws
<b>Material</b>	
Contact surface material	Ag
Contact bearer material	PA 66-GF 25
Housing material	PA 66-GF 25
<b>Environmental conditions</b>	
Protection class (IEC 60529)	IP 67
Pollution severity	3
Temperature range	-40 °C to +90 °C
Anbaufächentemperatur	up to 100 °C
<b>Inflammability class</b>	
Flammability, UL standard	94 V-1
<b>Packing unit</b>	
Packaging unit	100 pieces
<b>Scope of delivery and accessories</b>	
Scope of delivery	1 surface mounted connector
Accessories to order separately	can be plugged into CM 06 EA 20-27S; flat gasket CM 02 D 20, order no. 733 818-002; cap CM 02 SD 20, order no. 831 766-100;

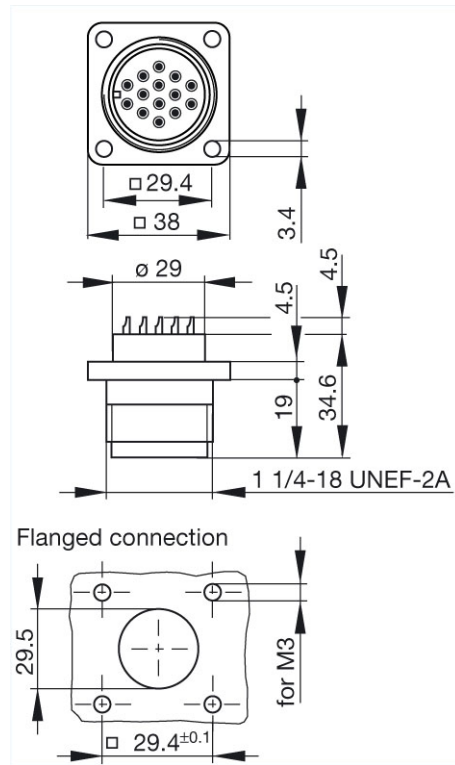


# HIRSCHMANN

A BELDEN BRAND

Industrial Connecting Solutions: Circular Connectors: MIL, DIN, Universal Connectors: MIL-C-5015 or VG 95342 Connectors (CM series): Surface mounted connector: CM 02 E 20-27 P  
<https://e-catalog.hirschmann.com:443/link/57078-24228-256281-256284-24363-24365-36156/en/conf/ui/state>

Picture  
Drawing



**Belden Deutschland GmbH**  
Im Gewerbepark 2  
58579 Schalksmühle  
Germany  
Phone: +49 7127/14-1806  
E-Mail: [icos-sales@belden.com](mailto:icos-sales@belden.com)

The information published in the websites has been compiled as carefully as possible. It is subject to alteration without notice in technical as well as in price-related/commercial respect. The complete information and data were available on user documentation. Mandatory information can only be obtained by a concrete query.