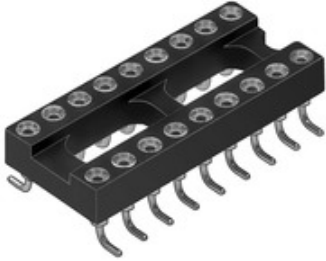


## Data sheet Product DIL 16 SMD M



Sockets > High-precision sockets and plugs for DIL-IC

SMD socket for DIL-IC contacts will adjust to the solder paste which possibly is not equally allocated.

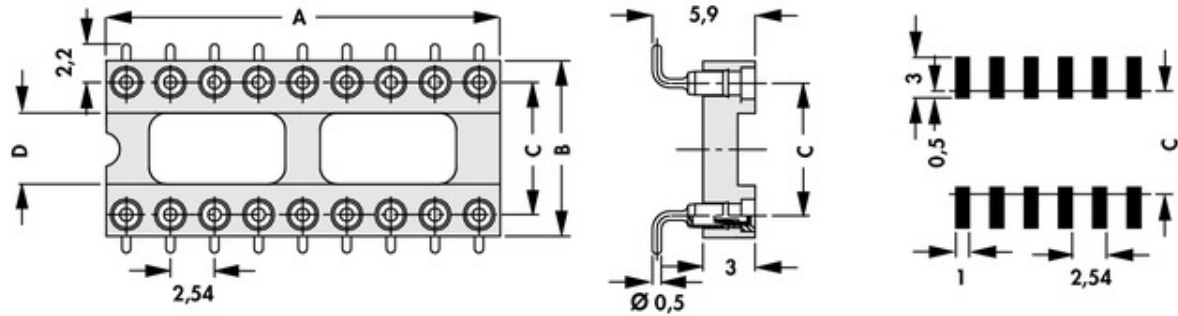
Contact shell surface: tin-plated

Contact spring: gold-plated

### Features

<b>no. of contacts</b>	16
<b>contact material</b>	CuZn-alloy
<b>contact spring</b>	gold-plated
<b>contact sleeve</b>	tin-plated
<b>surface contact / contact sleeve</b>	<ul style="list-style-type: none"> <li>• Ni+≥0.2µm Au</li> <li>• Ni+4...6µm Sn</li> </ul>
<b>inner contact spring material</b>	CuBe-alloy
<b>inner contact spring surface</b>	Ni+0,25µm Au
<b>plugability for circuit points</b>	<ul style="list-style-type: none"> <li>• 0,22x0,25mm... 0,4x0,55mm</li> <li>• Ø0,4...0,56mm</li> </ul>
<b>insert depth</b>	2.5...3.6mm
<b>insertion / drawing force</b>	<ul style="list-style-type: none"> <li>• 4 lamellas contact</li> <li>• 1.8 N/1.4 N</li> </ul>
<b>shock resistance</b>	50 g
<b>vibration resistance max.</b>	15 g
<b>volume resistance</b>	10 mΩ
<b>capacity between two adjacent contacts</b>	0,4 pF
<b>nominal current</b>	1.5 A
<b>nominal voltage</b>	150 V DC
<b>test voltage</b>	1000 V
<b>insulating body material</b>	PPS, GF
<b>temperature range</b>	<ul style="list-style-type: none"> <li>• -40°C... +200°C</li> <li>• (260°C/10 s)</li> </ul>
<b>class of flammability</b>	UL 94 V-0
<b>specific insulation resistance</b>	>10 <sup>12</sup> Ω·m
<b>reflow solderable</b>	yes

## Technical Drawing



height

20.1

A [mm]

B [mm]

C [mm]

D [mm]

10.1

7.62

3.5

**Fischer Elektronik GmbH & Co. KG**  
DEUTSCHLAND • GERMANY • ALLEMAGNE

Nottebohmstraße 28  
58511 Lüdenscheid

Telefon +49 2351 435-0  
Telefax +49 2351 45754

info@fischerelektronik.de  
www.fischerelektronik.de