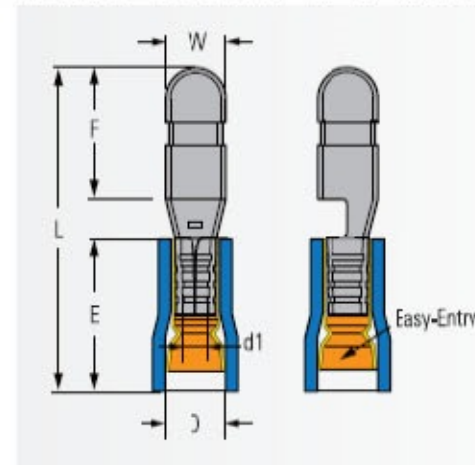


VINYL-FULLY INSULATED MALE BULLET TERMINALS



Material: Brass strip
Copper Sleeve: Copper tubular
Insulation: PVC

Finished: Tin-Plated

Temperature Rating: -10°C-75°C

Features: Flared copper sleeves for easy cable insertion
The copper sleeves ensure the terminal and cable fully connected
Flared barrel entry for easy wire insertion

No.	Part No.	Customer Code	Application for cable size		Stripped Length mm	Dimension (mm)							PCS /PACK	color
			mm ²	AWG		W	F	L	E	d1	D	T		
1		CN 11391	0.5-1.5	22-16	7.5-8.0	4	8.5	21	10	1.7	3.8	0.4	100	Red
2		CN 11392	1.5-2.5	16-14	7.5-8.0	5	10	22.5	10	2.3	4.7	0.4	100	Blue
3		CN 11393	4-6	12-10	8.5-9.0	5	10	25.5	13	3.4	6.2	0.4	100	Yellow