



# AC Hour Meters (ETI's)

# 635 & 636 Series



Square Style "Y" Bezel  
Model #635 Non-Resettable



Round Style "X" Bezel  
Model #636 Resettable

### OVERVIEW

The MarkTime® 635 and 636 Series Hour Meters (Elapse Time Indicators) are used to record the amount of "ON-time" operation for industrial and commercial grade equipment. Resettable and Non-Resettable versions are available in either round, square or No bezel, displayed in tenths of a minute or hour.

### APPLICATIONS

MarkTime® ETI's are used where indicating, monitoring and recording a process where the time used is required. Ideal for recording "ON-time" usage of machinery or equipment for billing purposes, and preventive maintenance.

### FEATURES & BENEFITS

- Large, easy-to-read numbers
- Rugged design
- Continuous duty
- Tamper proof
- Permanently lubricated
- Easy to install
- Square or Round bezels

### RATINGS

INPUT: 115, 220 VAC, 50 or 60 Hz

### ORDERING INFORMATION

| Model #635 |              |                   |
|------------|--------------|-------------------|
| Part #     | Bezel Type   | Time Registration |
| 10055      | "E" (Round)  | HRS/TEN 115/60    |
| 10063      | "S" (Square) | HRS/TEN 115/60    |
| 10069      | "G" (Round)  | MIN/TEN 115/60    |
| 10071      | "G" (Round)  | HRS/TEN 115/60    |
| 10186      | "K" (Square) | HRS/TEN 115/60    |
| 30850      | "E+S" (R+S)  | HRS/TEN 115/60    |

| Model #636 |              |                   |
|------------|--------------|-------------------|
| Part #     | Bezel Type   | Time Registration |
| 10074      | "X" (Round)  | MIN/TEN 115/60    |
| 10075      | "X" (Round)  | HRS/TEN 115/60    |
| 10083      | "Y" (Square) | HRS/TEN 115/60    |
| 10086      | "S" (Square) | MIN/TEN 115/60    |
|            |              |                   |
|            |              |                   |

Additional configurations available

### WARRANTY

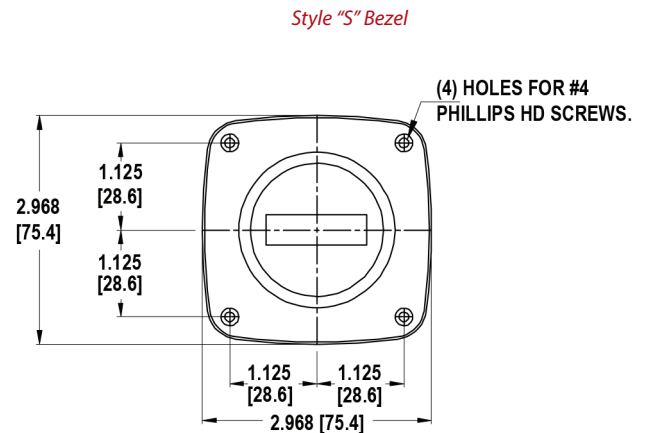
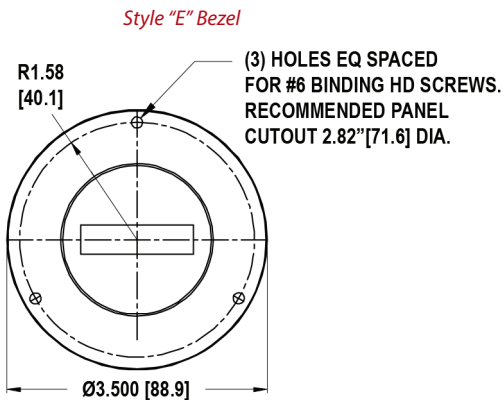
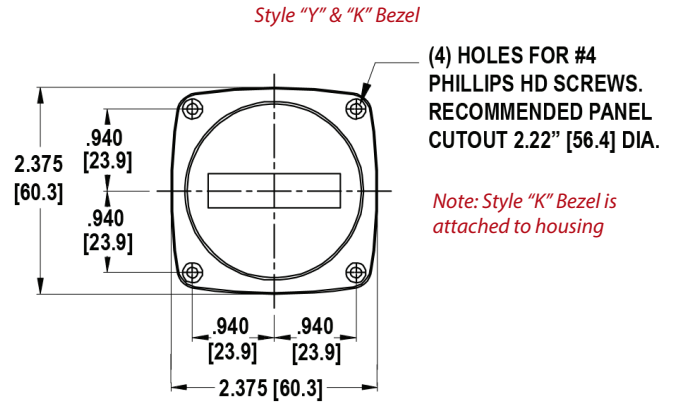
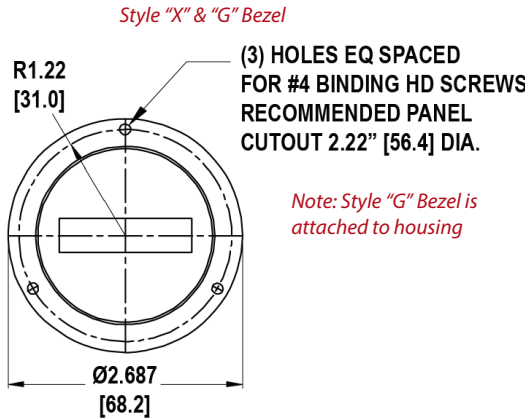
1 Year Limited Warranty



# 635 & 636 Series AC Hour Meters (ETI's)

## BEZEL STYLES

When ordering, please specify No bezel or style of bezel as noted in these diagrams.



## OPTIONS

Bezel Style: E, X, G, S, Y, K or No Bezel

Resettable to Zero

Non-resettable: Recommended when tamper proofing is required to record total "on time"

## SPECIFICATIONS

|                             | Model 635                       | Model 636        |
|-----------------------------|---------------------------------|------------------|
| Display                     | 6 Figure; 99999.9               |                  |
| Time Registration           | Minutes or Hours                | Minutes or Hours |
| Resettable                  | Not available                   | Push button      |
| Motor Specification         | 115, 220 VAC; 50 or 60 Hz       |                  |
| Power                       | 3.5 Watts                       |                  |
| Operating Temperature Range | -4°F to 131°F (-20°C to 55°C)   |                  |
| Electrical Connection       | 6" (15 mm) Leads; 22 gauge wire |                  |
| Front Panel Mounting        | 3 hole Round; 4 hole Square     |                  |
| Agency Approval             | UL/cUL                          |                  |