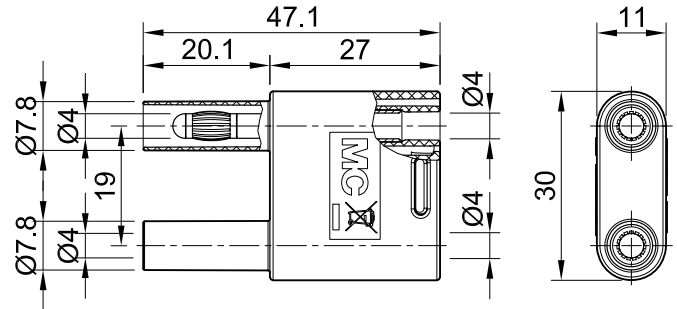


# SKS2-4N-19



Item number 66.4010-\*

Insulated, Ø 4 mm, made of brass. Plugs with spring-loaded MULTILAM contact technology and rigid insulating sleeves. With insulated grip. At rear with two in-line Ø 4 mm rigid sockets accepting spring-loaded Ø 4 mm plugs with rigid insulating sleeve.

Technical data	
Diameter of plug system	4 mm
Rated Values	1000 V, CAT II, 32 A
Surface treatment electrical contact	Ni
Base material electrical contact	CuZn
Standard color(s) *	<span style="background-color: #ffff00; border: 1px solid black; padding: 2px;">20</span> <span style="background-color: #ff0000; border: 1px solid black; padding: 2px;">21</span> <span style="background-color: #ff00ff; border: 1px solid black; padding: 2px;">22</span> <span style="background-color: #0000ff; border: 1px solid black; padding: 2px;">23</span> <span style="background-color: #00ff00; border: 1px solid black; padding: 2px;">24</span> <span style="background-color: #00ff99; border: 1px solid black; padding: 2px;">25</span> <span style="background-color: #9900ff; border: 1px solid black; padding: 2px;">26</span> <span style="background-color: #ff9900; border: 1px solid black; padding: 2px;">27</span> <span style="background-color: #cccccc; border: 1px solid black; padding: 2px;">28</span> <span style="background-color: #cccccc; border: 1px solid black; padding: 2px;">29</span> <span style="background-color: #ff9900; border: 1px solid black; padding: 2px;">30</span>
Plug spacing	19 mm
Test accessory acc. to	IEC EN 61010-031
Approvals	UL, CE

