



MASTER VALUE LEDspot PAR



MAS LEDspot VLE D 9.5-75W 940 PAR30S 25D

With its robust design and warm-white beam of light, these new-generation PAR lamps are ideal for general lighting and spot lighting in the hospitality industry. It's a dimmable solution. They are especially suitable for public areas such as lobbies, corridors, stairwells, where the light is always on. The product offers more energy saving comparing with normal LED spots.

Product data

General Information	
Lighting Technology	LED
Flux measurement reference	Narrow Cone
Switching Cycle	50,000
Nominal lifetime	25,000 hour(s)
Cap-Base	E27 [E27]
Light Technical	
Color Code	940 [CCT of 4000K]
Beam Angle (Nom)	25 degree(s)
Luminous Flux	820 lumen
Luminous Intensity (Nom)	3,000 cd
Color Designation	Cool White (CW)
Correlated Color Temperature (Nom)	4000 K
Luminous Efficacy (rated) (Nom)	86 lm/W
Color Consistency	<6
Color rendering index (CRI)	90
LLMF At End Of Nominal Lifetime (Nom)	70 %
Luminous Flux in 90° Cone (Rated)	820 lumen
Flickering value (PstLM)	1

Stroboscopic effect value (SVM)	0.4
Operating and Electrical	
Line Frequency	50 to 60 Hz
Input Frequency	50 to 60 Hz
Power Consumption	9.5 W
Lamp Current (Nom)	60 mA
Wattage Equivalent	75 W
Starting Time (Nom)	0.5 s
Warm-up time to 60% light	0.5 s
Power Factor (Fraction)	0.7
Voltage (Nom)	220-240 V
Temperature	
T-Case Maximum (Nom)	80 °C
Controls and Dimming	
Dimmable	Only with specific dimmers

MASTER VALUE LEDspot PAR

Mechanical and Housing

Bulb Finish	Clear
Bulb Shape	PAR30S [PAR 3.75 inch/95mm Short]

Approval and Application

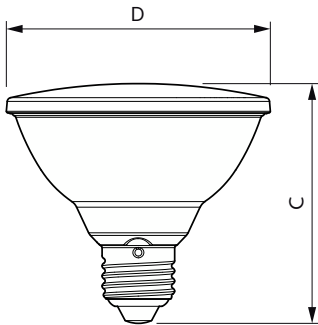
Energy Efficiency Class	F
Suitable For Accent Lighting	Yes
Energy Consumption kWh/1000 h	10 kWh
EPREL Registration Number	1121751
EU RoHS compliant	Yes

Product Data

Full product code	871951444324200
-------------------	-----------------

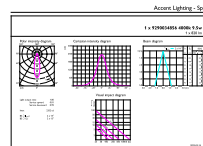
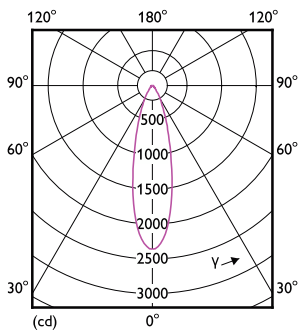
Order product name	MAS LEDspot VLE D 9.5-75W 940 PAR30S 25D
Order code	929003485602
Numerator - Quantity Per Pack	1
Numerator - Packs per outer box	6
Material number (12NC)	929003485602
Full product name	MAS LEDspot VLE D 9.5-75W 940 PAR30S 25D
EAN/UPC - Case	8719514443259

Dimensional drawing



Product	D	C
MAS LEDspot VLE D 9.5-75W 940 PAR30S 25D	95 mm	86 mm

Photometric data

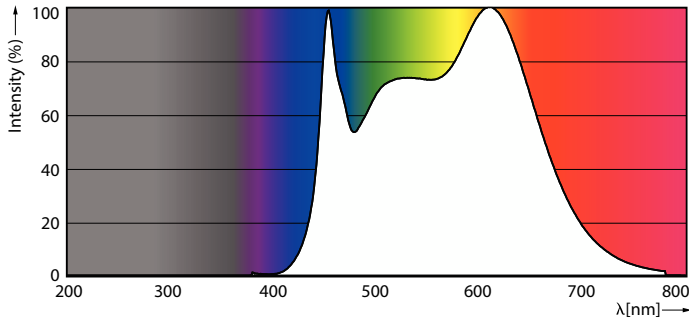


Light Distribution Diagram - MAS LEDspot VLE D 9.5-75W 940 PAR30S 25D

Accent Lighting Spots - MAS LEDspot VLE D 9.5-75W 940 PAR30S 25D

MASTER VALUE LEDspot PAR

Photometric data



Spectral Power Distribution Colour - MAS LEDspot VLE D 9.5-75W 940 PAR30S 25D

Lifetime



Life Expectancy Diagram - MAS LEDspot VLE D 9.5-75W 940 PAR30S 25D



Lumen Maintenance Diagram - MAS LEDspot VLE D 9.5-75W 940 PAR30S 25D

