




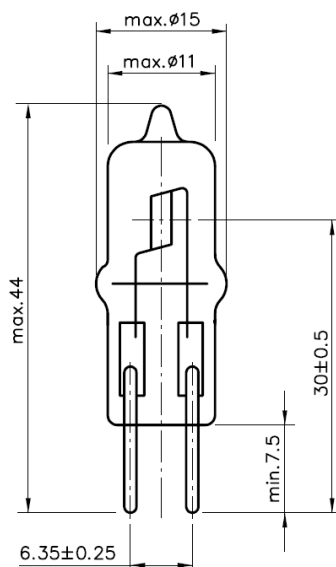
Medical

	Type SH5248 24V 75W GY6,35
	Ordering - No. 55248
Product Description	Special Halogen Lamp
Features	Quartz Bulb, Exactly positioned Filament
Applications	Medical, Microscope, Analysis

Technical Details

Category	HLL
Rated Voltage (V)	24
Wattage (W)	max. 82,5
Luminous Flux (lm)	1500 - 15%
Average Lifetime (h)	2000
Base	GY6,35 - 15
Overall Length (mm)	max.44,0
Bulb Diameter (mm)	max. 11,0
Light Center Length (mm)	30 ± 0,5
Packaging Configuration	100 pcs.
Environmental Remark	Product don't contain lead or mercury and is conform with Directive 2002/95/EC "Restriction of the use of certain hazardous substances in electrical and electronic equipment".

Drawing (in mm)



valid from	05.03.2014—V2—PN14/0072
replace for	29.01.2013—V1
file	55248.100.pdf