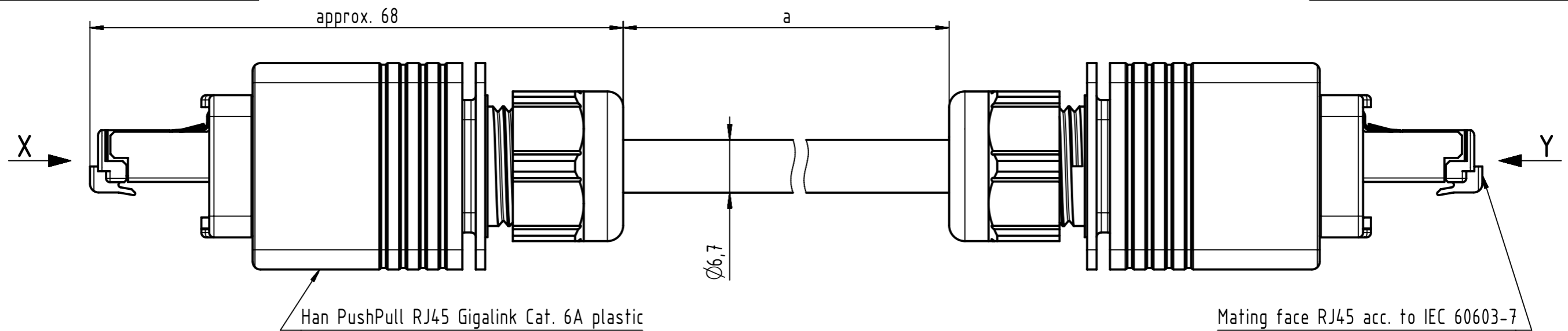


Connector Location A

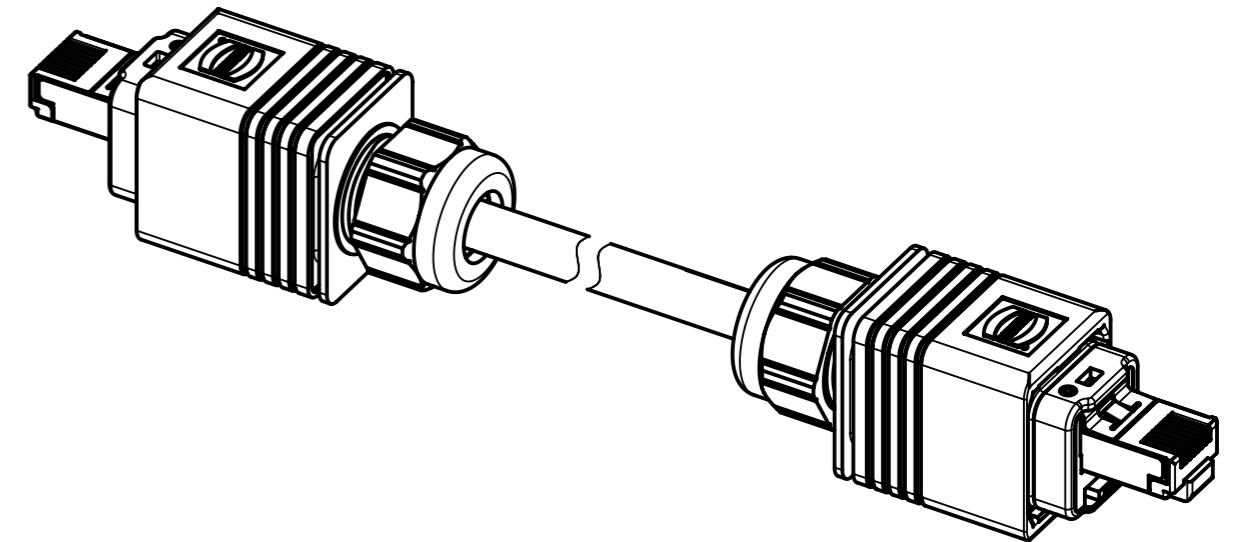
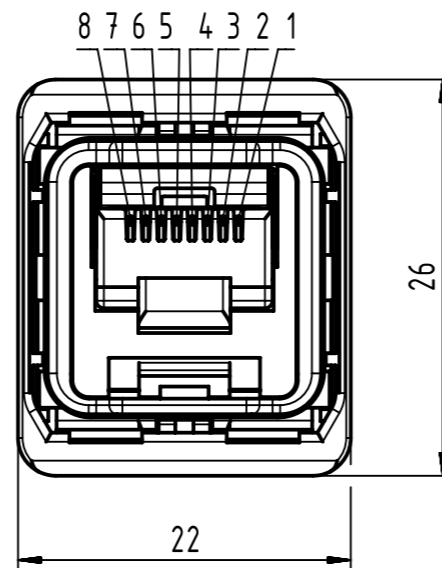
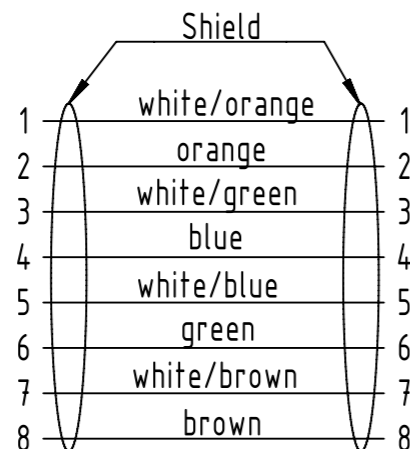
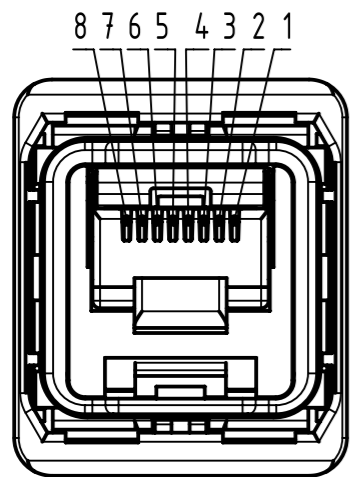
Connector Location B



X
male

Y
male

Loading-Plan
acc. to TIA/EIA 568B



5	09475757005	RJ45 Ethernet stranded cable 4x2xAWG 26/7, PUR, yellow, Cat. 6A	20
4	09475757004		10
3	09475757003		5
2	09475757002		3
1	09475757001		1.5
Cont. no.	Part no.	Type of cable	Dim. a[m]

All Dimensions in mm
 Tech. Character.
 Free size tol.
 According to production drawing

All rights reserved Department HCS - RO HARTING Customised Solutions D-32339 Espelkamp	Created by STOCECIC	Inspected by COSTEA	Standardisation MUNTEANV	Date 2018-09-12	State Final Release
	Title RJ Industrial Cable Assembly				Doc-Key / ECM-Nr. 100190158/UGD/006/D 500000139641
Type TB		Number 094757570XX		Rev. D	Page 1/1

- Protection level: IP67/65
 - Temperature range: -40°C ... +70°C