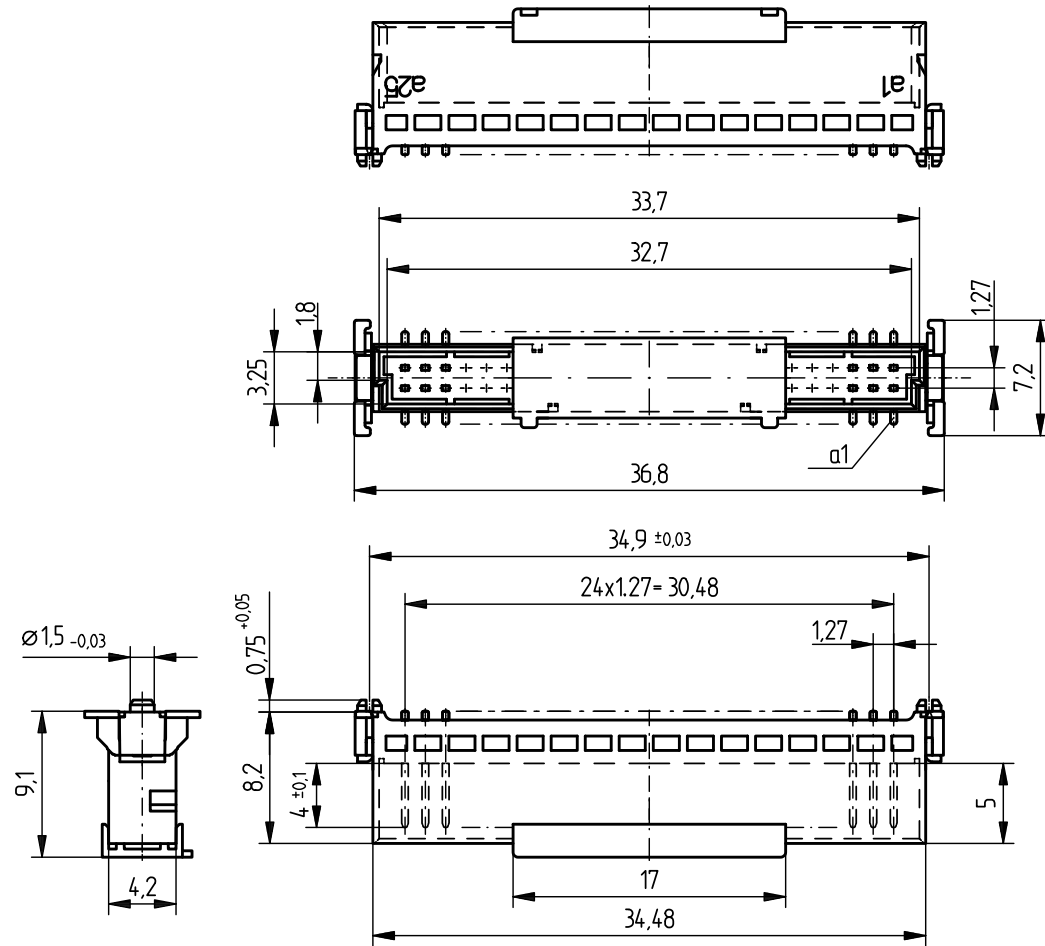
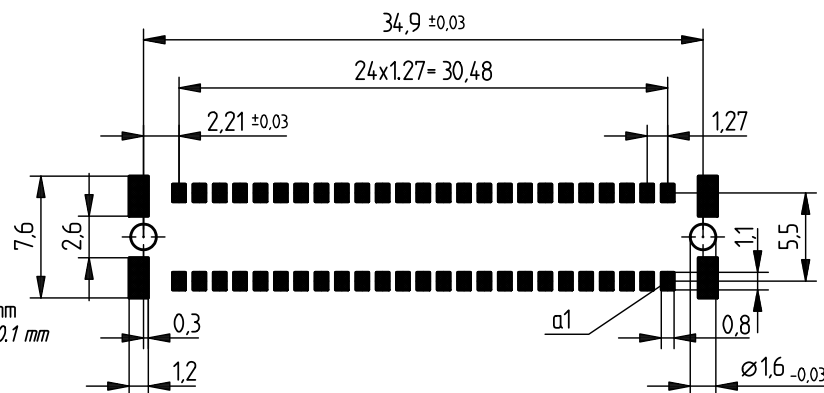


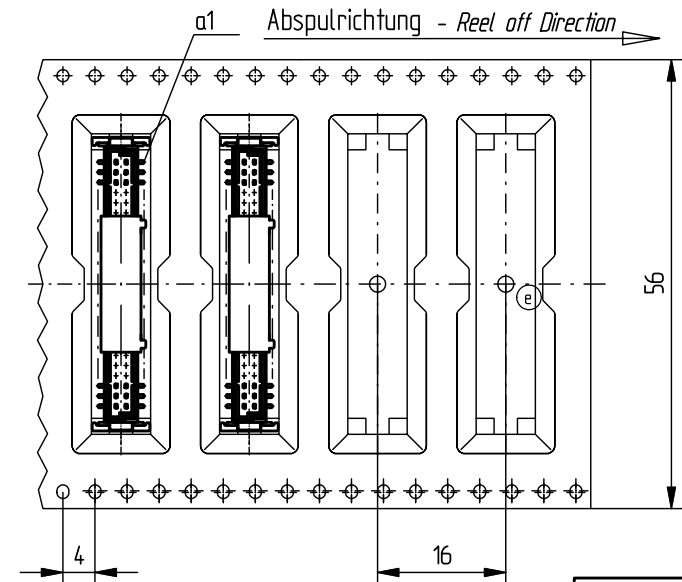
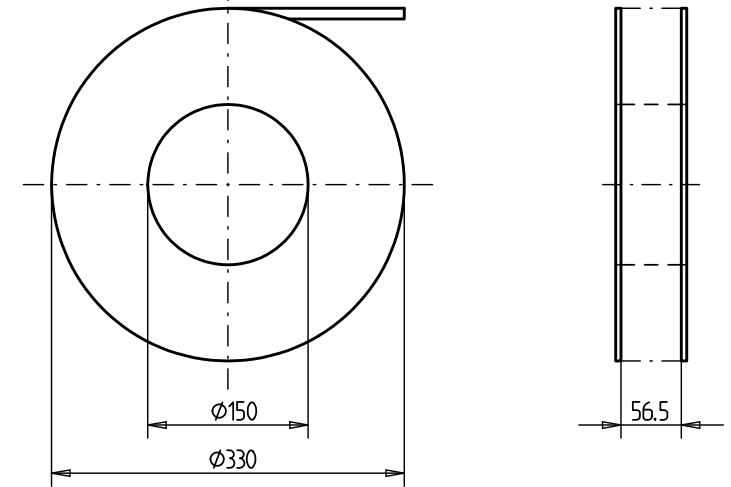
Verpackt in Gurtverpackung - *Tape on Reel Packaging*  
 Verpackungseinheit: 280 Stück - *Packaging unit: 280 pcs*



Leiterplatten-LAYOUT Vorschlag für SMT  
*PCB-Layout Proposal for SMT*



Anforderungsstufe 1  
*Performance Level 1*  
 Kontaktbereich vergoldet  
*Mating Area gold plating*  
 Anschlussbereich verzinkt 4-6 µm  
*Terminal Area 4-6 µm tin plating*  
 Koplanarität der Anschlüsse ≤ 0,1mm  
*Coplanarity Area of Termination ≤ 0,1 mm*



Standard Bauhöhe  
*Standard Assembly Height*

Information:	Tolerances	 All Dimensions in mm	Scale	3:1
	All rights reserved. Only for information. To insure that this is the latest version of this drawing, please contact one of the ERNI companies before using.		Designation <b>Messerleiste SMC-Q, 50 polig</b> <b>Male Conn. SMC-Q, 50 contacts</b>	
Subject to modification without prior notice. Drawing will not be updated.		www.ERNI.com		063210
a Index	06.10.2010 Date	M:00070152.SZA		SMCQ