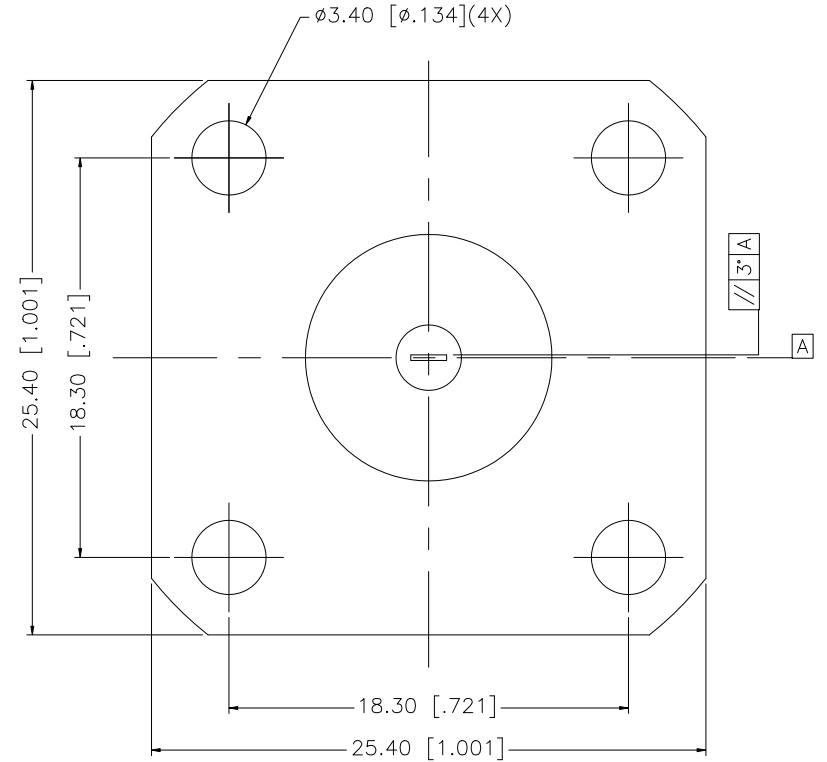
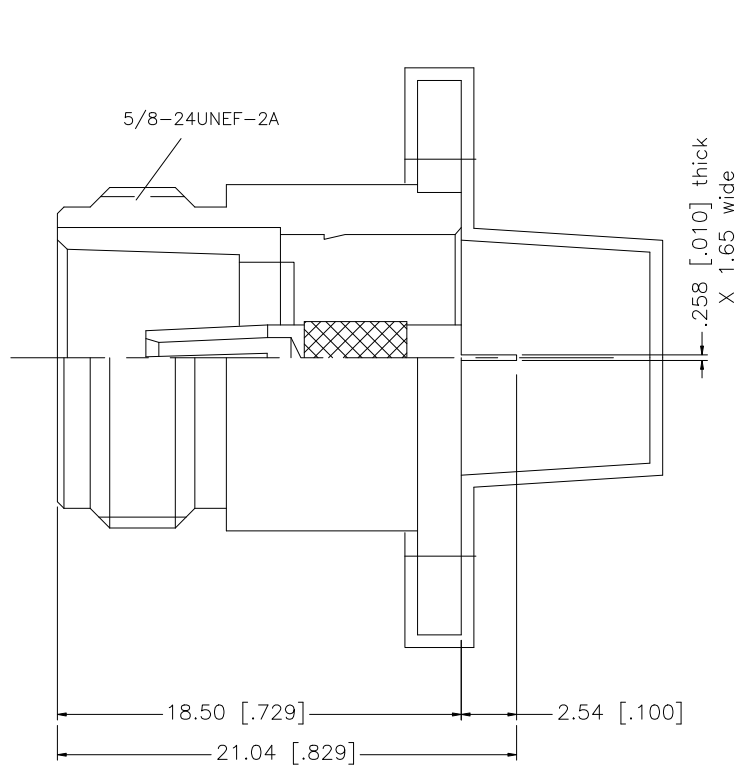


REV.	DATE	DESCRIPTION
A	02/21/00	REVISE BODY PLATING
B	06/01/04	UPDATE DRAWING FORMAT
C	12/17/07	REVISE BODY LENGTH AND MOUNTING HOLES



8				
7				
6				
5				
4	COVER	PE	NATURAL	1
3	CONTACT PIN	PHOS. BRONZE	GOLD	1
2	INSULATOR	TEFLON	NATURAL	1
1	HOUSING W/ PANEL	BRASS	NEXCOTE	1
	DESCRIPTION	MATERIAL	FINISH	QTY

UNLESS OTHERWISE SPECIFIED DIMENSIONS ARE IN MILLIMETERS. DIMENSIONS IN [] ARE IN INCHES AND FOR CUSTOMER REFERENCE ONLY.

UNLESS OTHERWISE SPECIFIED TOLERANCES FOR MILLIMETERS ARE:
 0.5 - 8mm ± 0.20mm
 8 - 30mm ± 0.40mm
 30 - 120mm ± 0.50mm

UNLESS OTHERWISE SPECIFIED TOLERANCES FOR INCHES ARE:
 .020 - .315 = ± 0.007"
 .315 - 1.180 = ± 0.015"
 1.180 - 4.724 = ± 0.020"

DO NOT SCALE DRAWING

APPROVALS	DATE
DRAWN G.R.S.	12/17/07
CHECKED	
ISSUED	
SHEET 1 OF 1	
CAD FILE C:/172/172195.DWG	

Amphenol Connex

PART DESCRIPTION			
N PANEL RECEPT. JACK			
PART NO. 172195			
DWG. NO. 172195.DWG	REV. C	SIZE A	SCALE NA