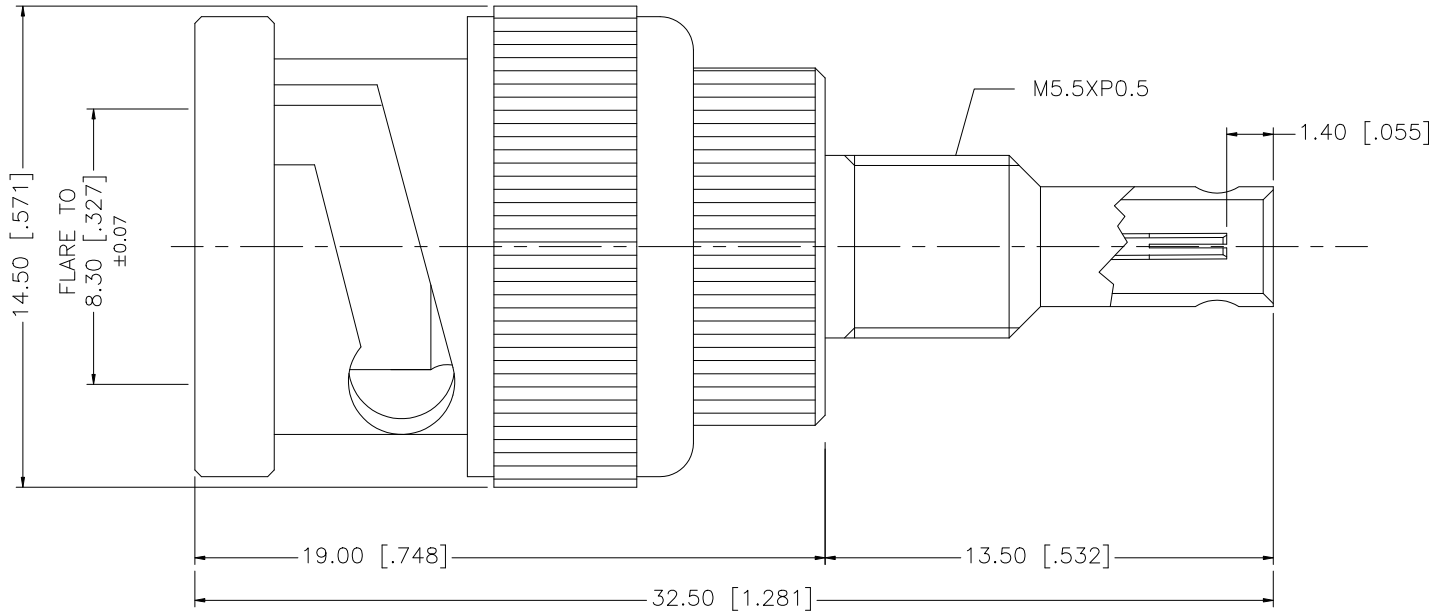


| REV. | DATE     | DESCRIPTION     |
|------|----------|-----------------|
| NC   | 07/24/07 | INITIAL RELEASE |



|   |             |             |         |         |   |           |  |   |  |  |                        |
|---|-------------|-------------|---------|---------|---|-----------|--|---|--|--|------------------------|
| 8 |             |             |         |         | <small>UNLESS OTHERWISE SPECIFIED DIMENSIONS ARE IN MILLIMETERS. DIMENSIONS IN [ ] ARE IN INCHES AND FOR CUSTOMER REFERENCE ONLY.</small><br><small>UNLESS OTHERWISE SPECIFIED TOLERANCES FOR MILLIMETERS ARE:</small><br>0.5 - 8mm ± 0.20mm<br>8 - 30mm ± 0.40mm<br>30 - 120mm ± 0.50mm<br><small>UNLESS OTHERWISE SPECIFIED TOLERANCES FOR INCHES ARE:</small><br>.020 - .315 = ± 0.007"<br>.315 - 1.180 = ± 0.015"<br>1.180 - 4.724 = ± 0.020" | APPROVALS | DATE   | <h1 style="color: blue; text-align: center;">Amphenol Connex</h1>                           |  |  |                        |
| 7 |             |             |         | DRAWN   |   | G.R.S.    | 07/24/07   |   |  |  |                        |
| 6 |             |             |         | CHECKED |   |           |  | PART DESCRIPTION<br><h2 style="text-align: center;">BNC PLUG TO 1.0/2.3 FEMALE ADAPTER</h2> |  |  |                        |
| 5 |             |             |         | ISSUED  |   |           |  |   |  |  |                        |
| 4 |             |             |         | SHEET   | 1 OF 1  |           | PART NO.<br><h2 style="text-align: center;">242231-75</h2> |   |  |  |                        |
| 3 | CONTACT PIN | BER. COPPER | GOLD    | 1       |   |           |  |   |  |  | DWG. NO. 242231-75.DWG |
| 2 | INSULATOR   | TEFLON      | NATURAL | 1       |   |           | REV. NC    SIZE A    SCALE NA                              |   |  |  |                        |
| 1 | BODY        | BRASS       | GOLD    | 1       |   |           |  |   |  |  | DO NOT SCALE DRAWING   |
|   | DESCRIPTION | MATERIAL    | FINISH  | QTY     |   |           | CAD FILE<br>C:/242/242231-75.DWG                           |   |  |  |                        |
|   |             |             |         |         |   |           |  |   |  |  |                        |
|   |             |             |         |         |   |           |  |   |  |  |                        |
|   |             |             |         |         |   |           |  |   |  |  |                        |