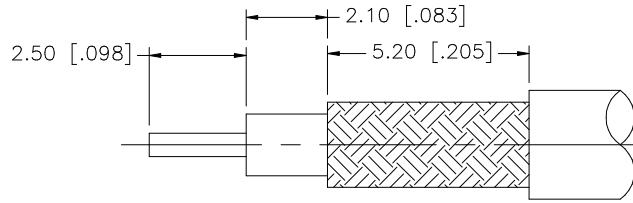
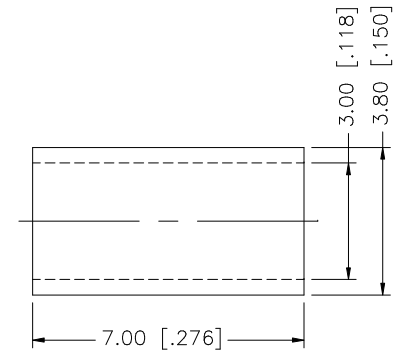
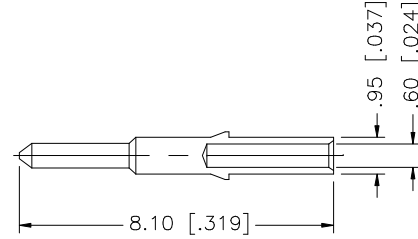
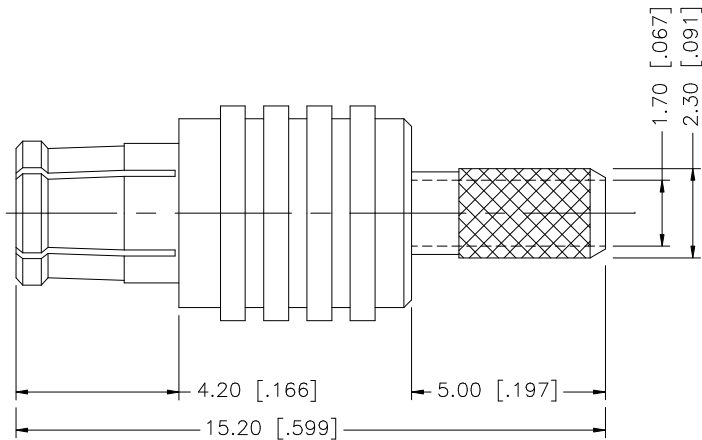


| REV. | DATE | DESCRIPTION |
|------|----------|-----------------------|
| A | 02/24/04 | UPDATE DRAWING FORMAT |



RECOMMENDED CABLE STRIPPING DIMENSIONS



| | | | | |
|---|-------------|-------------|---------|-----|
| 8 | | | | |
| 7 | | | | |
| 6 | | | | |
| 5 | | | | |
| 4 | FERRULE | COPPER | NICKEL | 1 |
| 3 | CONTACT PIN | BRASS | GOLD | 1 |
| 2 | INSULATOR | TEFLON | NATURAL | 1 |
| 1 | BODY | BER. COPPER | NICKEL | 1 |
| | DESCRIPTION | MATERIAL | FINISH | QTY |

UNLESS OTHERWISE SPECIFIED DIMENSIONS ARE IN MILLIMETERS. DIMENSIONS IN [] ARE IN INCHES AND FOR CUSTOMER REFERENCE ONLY.

UNLESS OTHERWISE SPECIFIED TOLERANCES FOR MILLIMETERS ARE:
0.5 - 8mm ± 0.20mm
8 - 30mm ± 0.40mm
30 - 120mm ± 0.50mm

UNLESS OTHERWISE SPECIFIED TOLERANCES FOR INCHES ARE:
.020 - .315 = ± 0.007"
.315 - 1.180 = ± 0.015"
1.180 - 4.724 = ± 0.020"

DO NOT SCALE DRAWING

| APPROVALS | DATE |
|--------------|-------------------|
| DRAWN G.R.S. | 02/24/04 |
| CHECKED | |
| ISSUED | |
| SHEET 1 OF 1 | |
| CAD FILE | C:/252/252101.DWG |

Amphenol Connex

| | | | |
|---|------------|--------|----------|
| PART DESCRIPTION | | | |
| MCX CRIMP PLUG (FOR RG-174/U, 188A/U, 316/U) | | | |
| PART NO. 252101 | | | |
| DWG. NO. | 252101.DWG | REV. A | SIZE A |
| | | | SCALE NA |