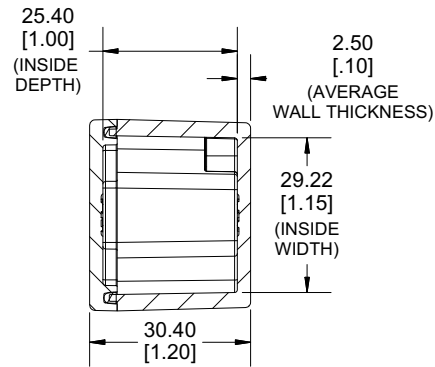
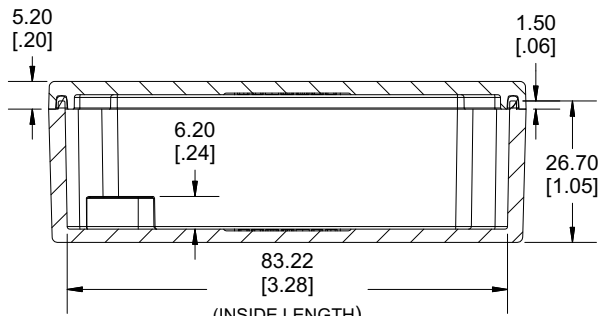
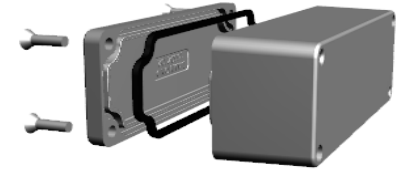


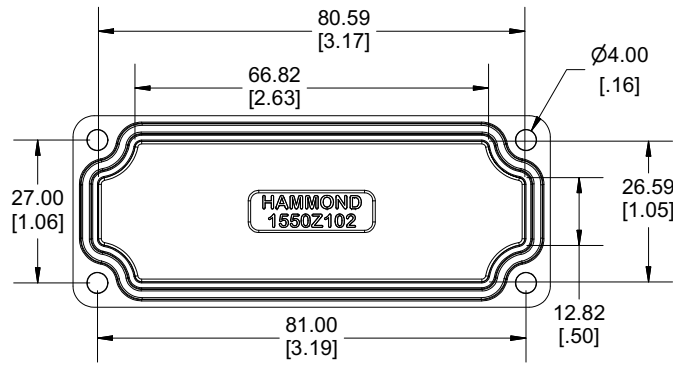
TOP VIEW



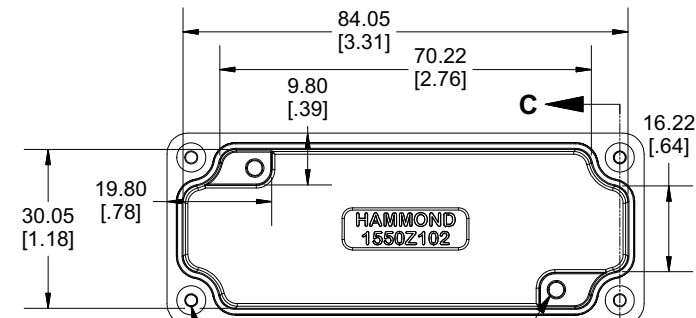
**SECTION A-A
END VIEW**



**SECTION B-B
SIDE VIEW**



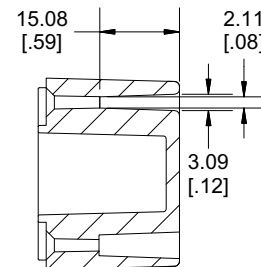
INSIDE LID



ACCEPTS M4 - 0.7
MACHINE SCREW

ACCEPTS
#6 SELF TAPPING
GROUND SCREW

INSIDE BOX



**SECTION C-C
MOUNTING HOLE**

Dimensions:
mm
[inches]



Enclosures can be Factory Modified (Milling, Drilling, Printing etc.)
Contact Factory mjm@hammondmfg.com for quotes
Solid models of this enclosure available in STEP or IGES.
(Part number and text placement/orientation on our products are subject to change,
we do not recommend using them as a locating reference for modification purposes)

NOTE	
Purchased assembly includes box, lid, silicone gasket, and 4 cover screws. Box and lid are made from Diecast Aluminum Alloy.	
Screws should not be torqued past 5-7.5 lbf.in (50 -75 cN.m)	
PART NUMBERS	
1550Z102 Enclosure	
Basic Enclosure	1550Z102
Black Enclosure	1550Z102BK
ACCESSORIES	
Pre-Formed Silicone Gasket (2 Pack)	1550Z102GASKET
Stainless Steel Cover screws (50 Pack) [M3 - 0.5 x 12mm]	SC1550Z102-50
Ground Hardware (50 Pack) [Copper #6-32X5/16 Self-Tapping / #6 Bronze lock Washer]	SCG060-50

**HAMMOND
MANUFACTURING**

1550Z102

www.hammondmfg.com