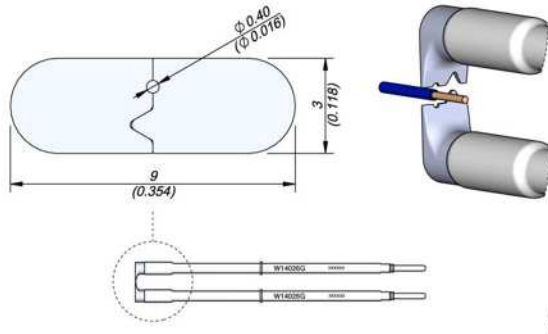


JBC W14026G

Cartridges W140 26G 3mm

JBC

STRANDED	28 (19 x 40) AWG 27 (7 x 35) AWG
SOLID	26 AWG



W14026G is specially designed for **stripping high-temperature wire insulations made of thermostable materials** such as Teflon*, Kapton*, silicone rubber, etc, of **26 AWG (0.40 mm / 0.0157 in)**.

The self-centering design ensures a **perfect tip alignment**, allowing to remove the insulation without damaging conductors.

This cartridge works with WS140 Precision High-Temperature Wire Stripper Tweezers which has an adjustable strip length gauge to select the stripping length.

Both cartridges are included in this reference.

* Registered Trade Marks of DuPont

SPECIFICATIONS

Net weight 0,02 kg (0.05lb)

DIMENSIONS AND WEIGHT

22 gr (0.05 lb)

38 gr (0.08 lb)

155 x 56 x 46 mm