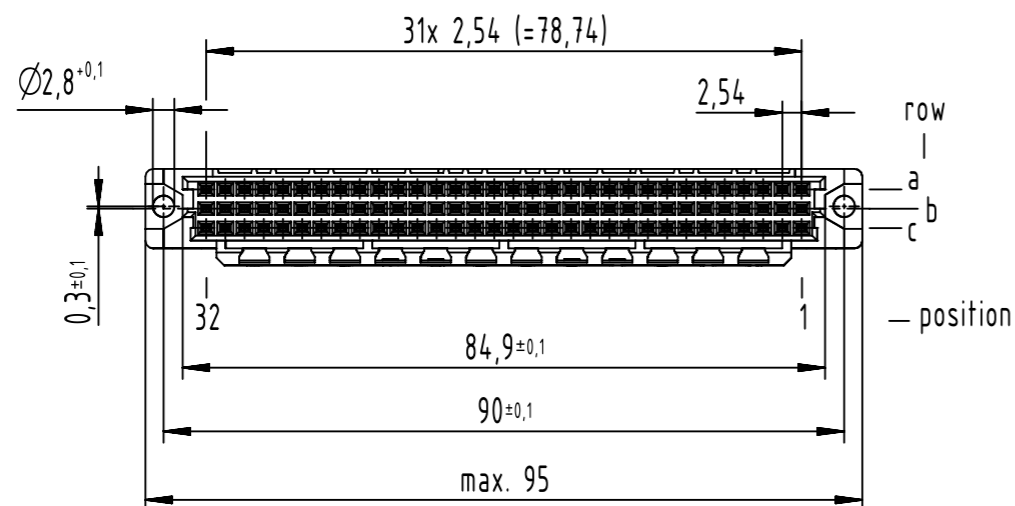
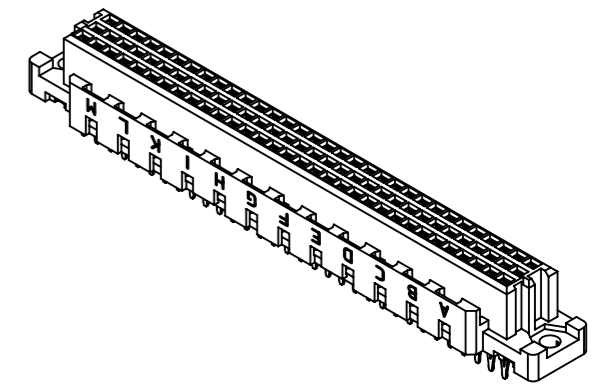
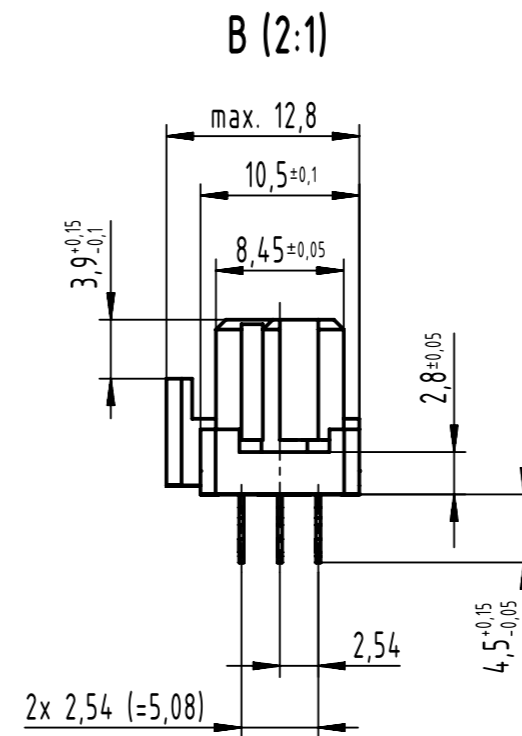
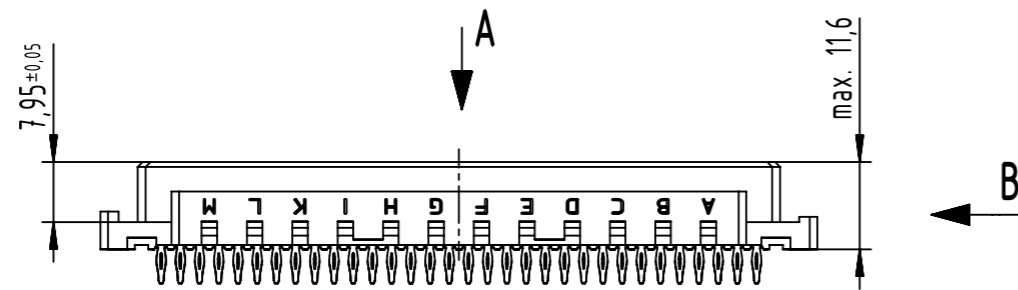


96 press-in contacts

⊗ = press-in contact

□ = position without contact



1 recommended configuration of plated through holes and further information see product data sheet

| | |
|-----------------|--------------------------|
| 09 03 796 8850 | Au50 |
| 09 03 796 6850 | 2 |
| 09 03 796 2850 | 1 |
| part no. | performance level |

| | | | | | |
|--|---|--|-------------------------|-------------------------------|--|
| HARTING D-32339 Espelkamp | All rights reserved Department EL PD | All Dimensions in mm Original Size DIN A3 | Scale 1:1 | Free size tol. IEC 60603-2 | Ref. Sub. |
| | | Created by STORCK | Inspected by LEHNERT | Standardisation | Date 2021-07-23 |
| Title DIN Signal type C female press-in w. coding 4.5 96-pole | | | | | Doc-Key / ECM-Nr. 100173852/UGD/215/K 500000200033 |
| | | Type TB | Number 0903796X850 | | Rev. K |
| | | | | | Page 1/1 |