



Cable connection cover with reach-around protection, for size NH1, Accessory for fuse Switch disconnector 3NP1

Model	
product brand name	SETRON
product designation	Terminal cover with reach-around protection
design of the product	accessories for 3NP1 fuse switch disconnectors
suitability for use	for 3NP1, 3-pole, NH1
General Product Approval	
Declaration of Conformity	

[Confirmation](#)



[Miscellaneous](#)



Marine / Shipping	other	Environment
-------------------	-------	-------------



[Miscellaneous](#)

[Confirmation](#)

[Environmental Confirmations](#)

Further information

Siemens has decided to exit the Russian market (see here).
<https://press.siemens.com/global/en/pressrelease/siemens-wind-down-russian-business>

Siemens is working on the renewal of the current EAC certificates.
 Please contact your local Siemens office on the status of validity of the EAC certification if you intend to import or offer to supply these products to an EAC relevant market (other than the sanctioned EAEU member states Russia or Belarus).

Information on the packaging
<https://support.industry.siemens.com/cs/ww/en/view/109813875>

Information- and Downloadcenter (Catalogs, Brochures,...)
<http://www.siemens.com/lowvoltage/catalogs>

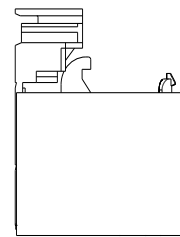
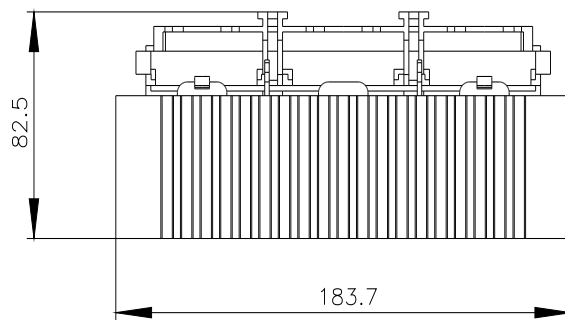
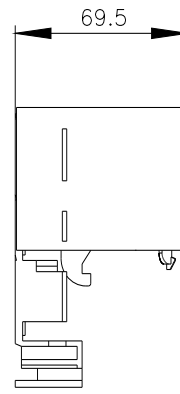
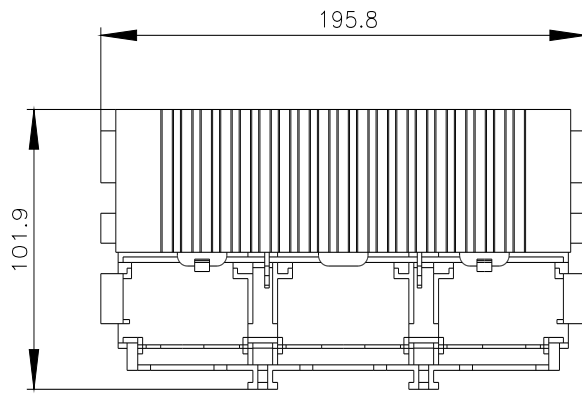
Industry Mall (Online ordering system)
<https://mall.industry.siemens.com/mall/en/en/Catalog/product?mlfb=3NP1943-1CD00>

Service&Support (Manuals, Certificates, Characteristics, FAQs,...)
<https://support.industry.siemens.com/cs/ww/en/ps/3NP1943-1CD00>

Image database (product images, 2D dimension drawings, 3D models, device circuit diagrams, ...)
http://www.automation.siemens.com/bilddb/cax_en.aspx?mlfb=3NP1943-1CD00

CAx-Online-Generator
<http://www.siemens.com/cax>

Tender specifications
<http://www.siemens.com/specifications>



last modified:

7/30/2022 