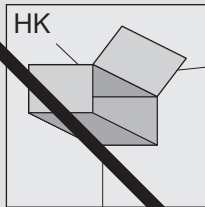
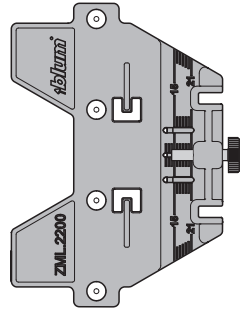
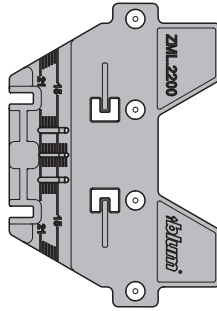
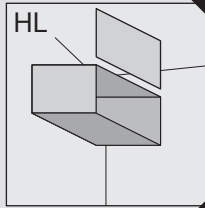


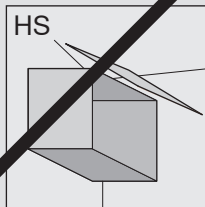
AVENTOS HK top



AVENTOS HK

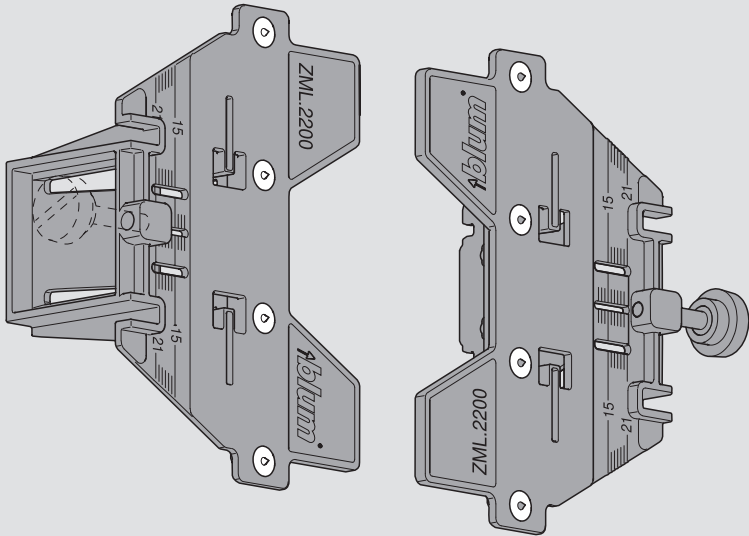


AVENTOS HL

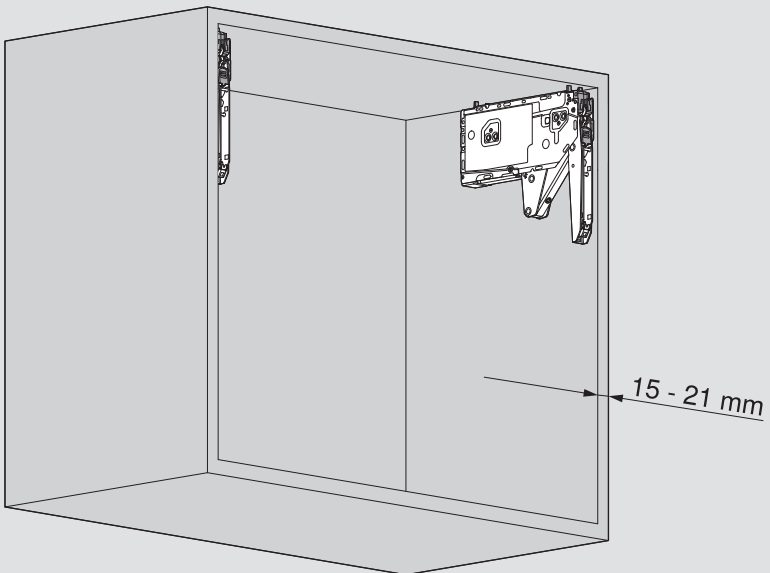


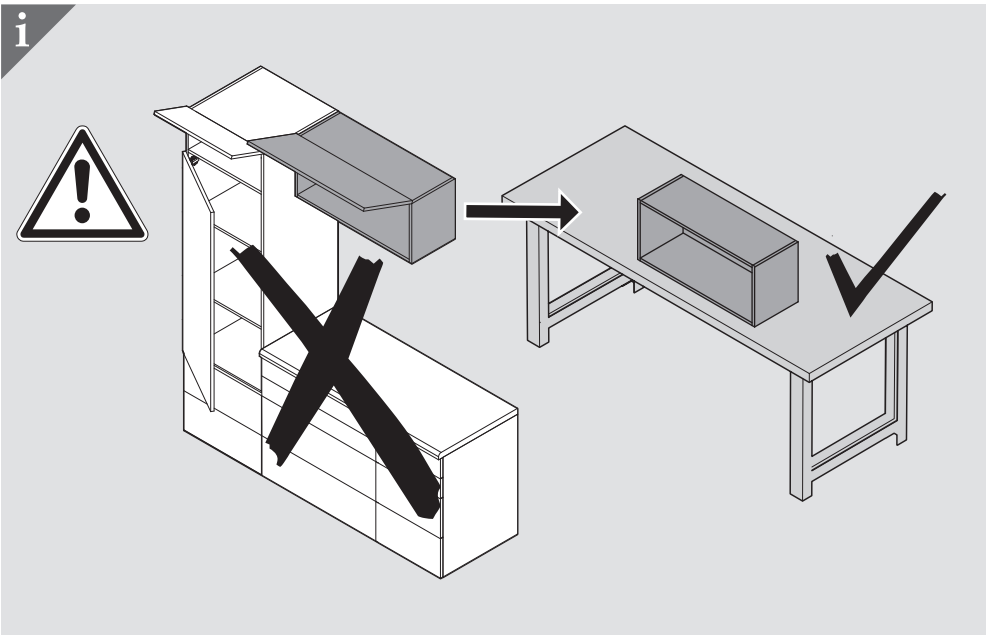
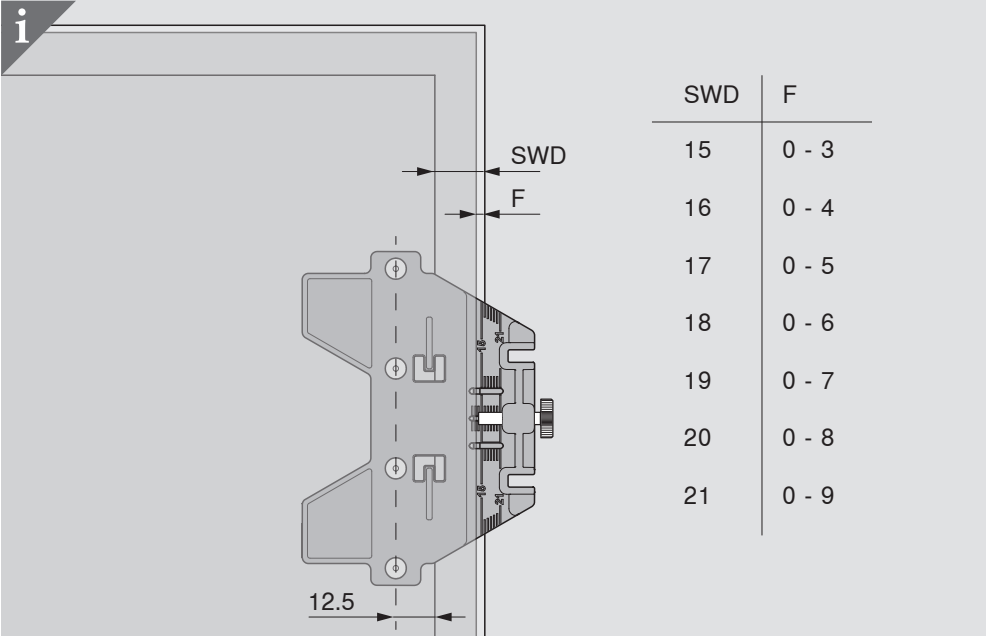
AVENTOS HS

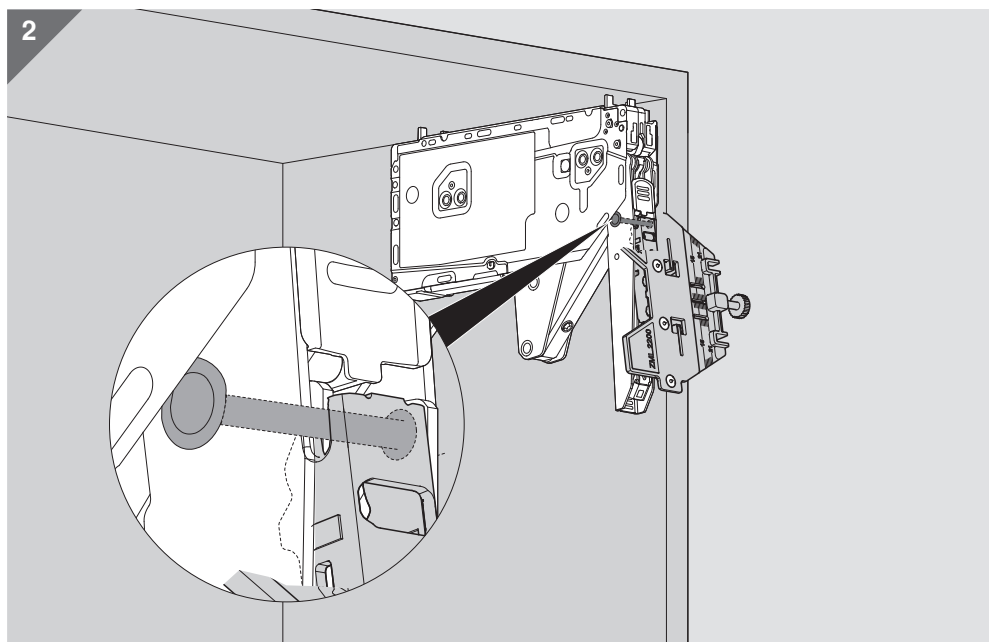
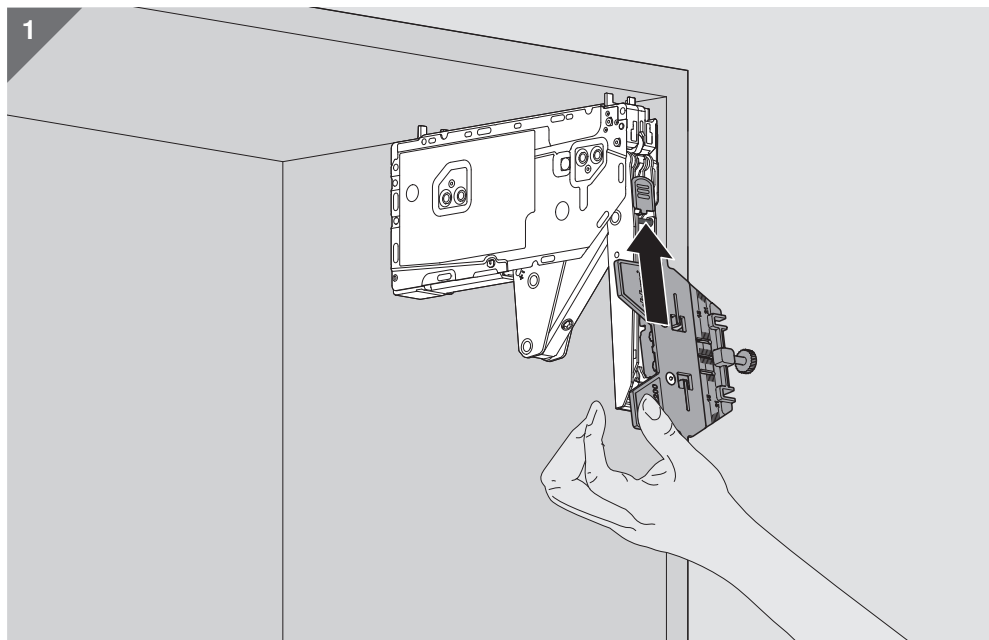
i



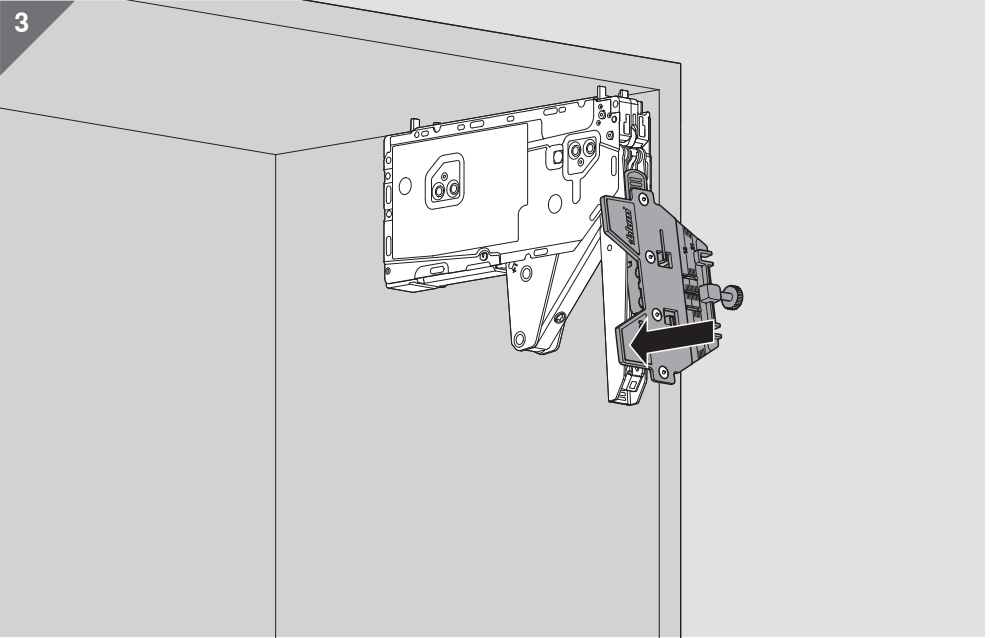
i



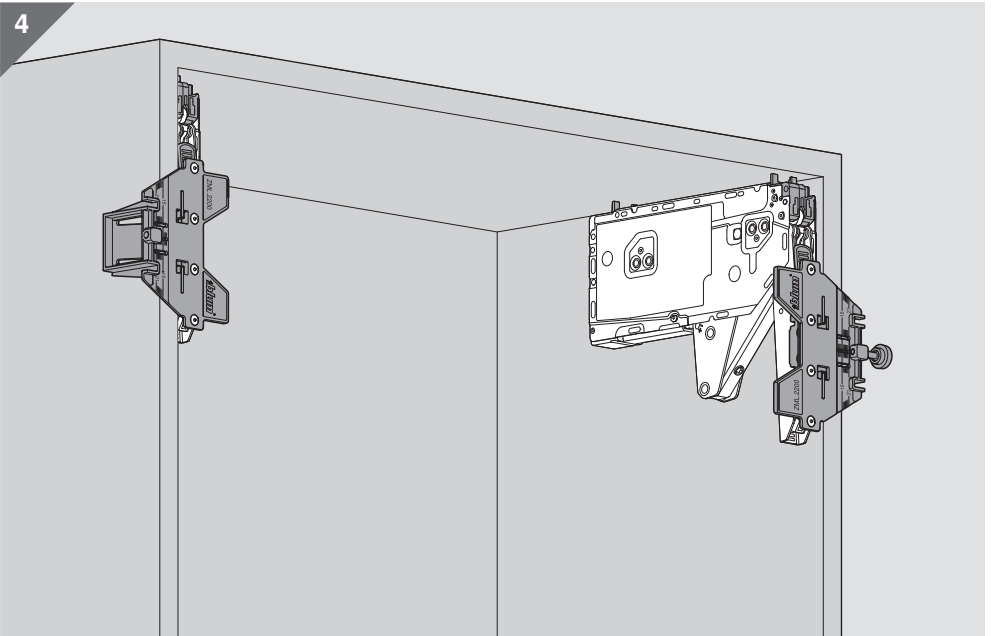




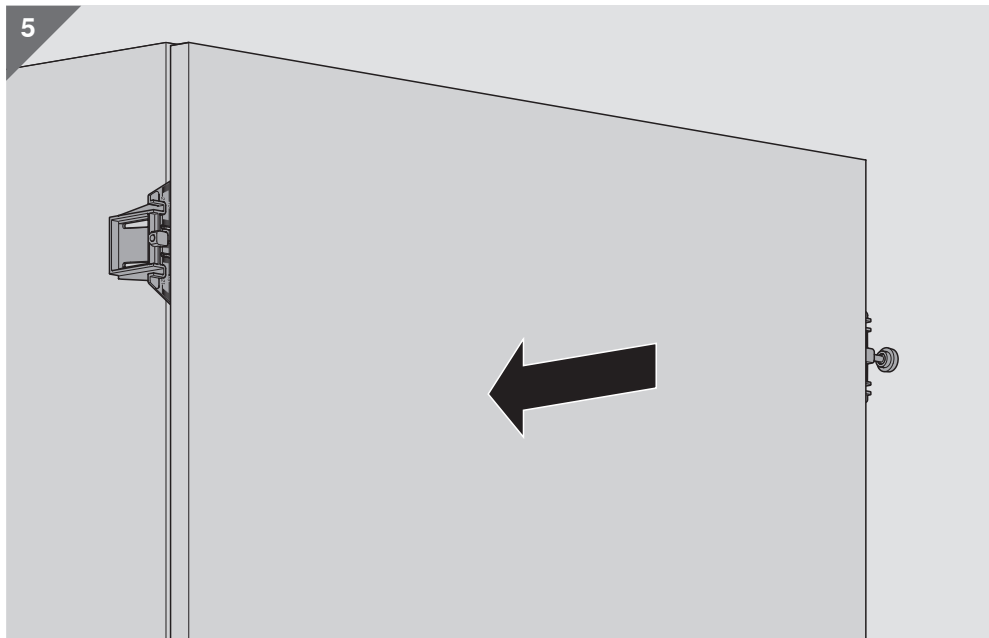
3



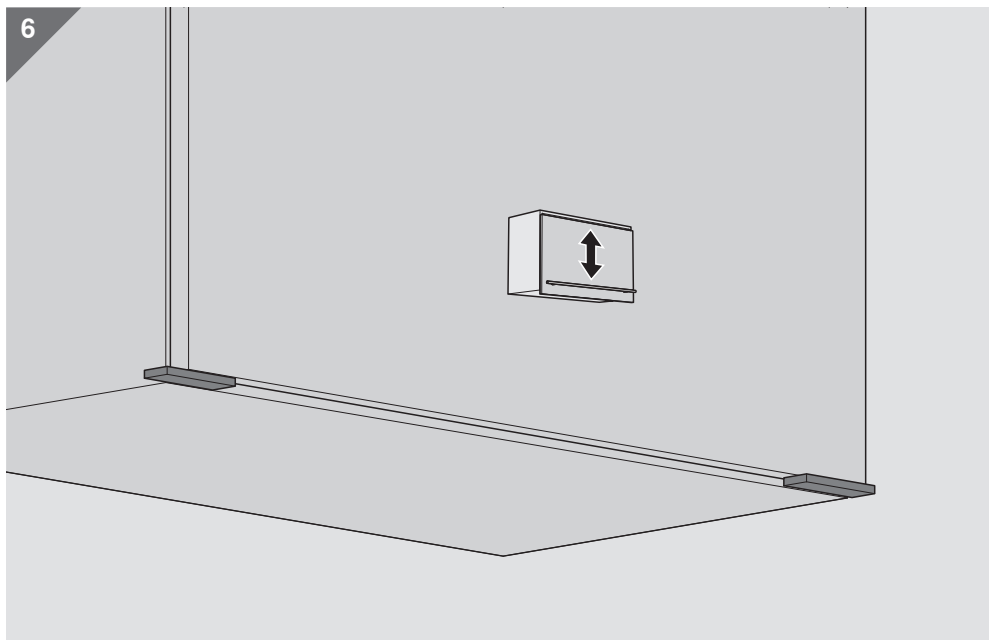
4

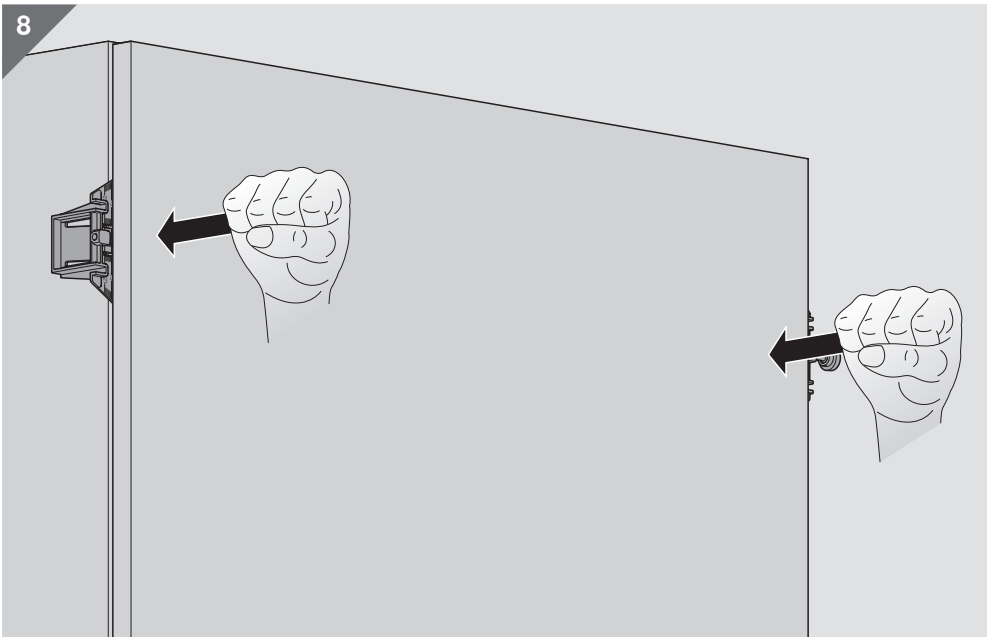
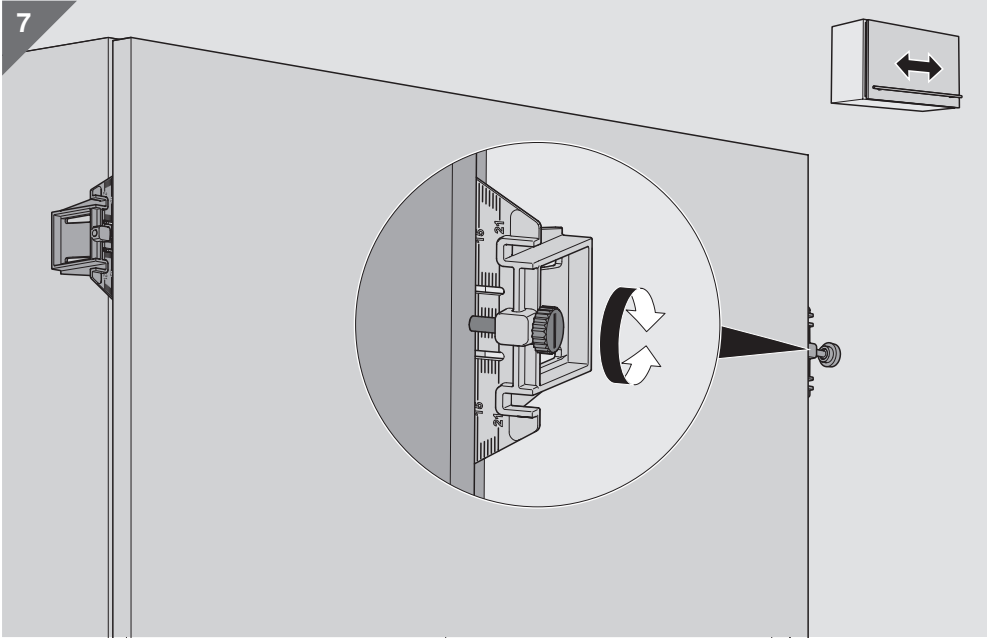


5

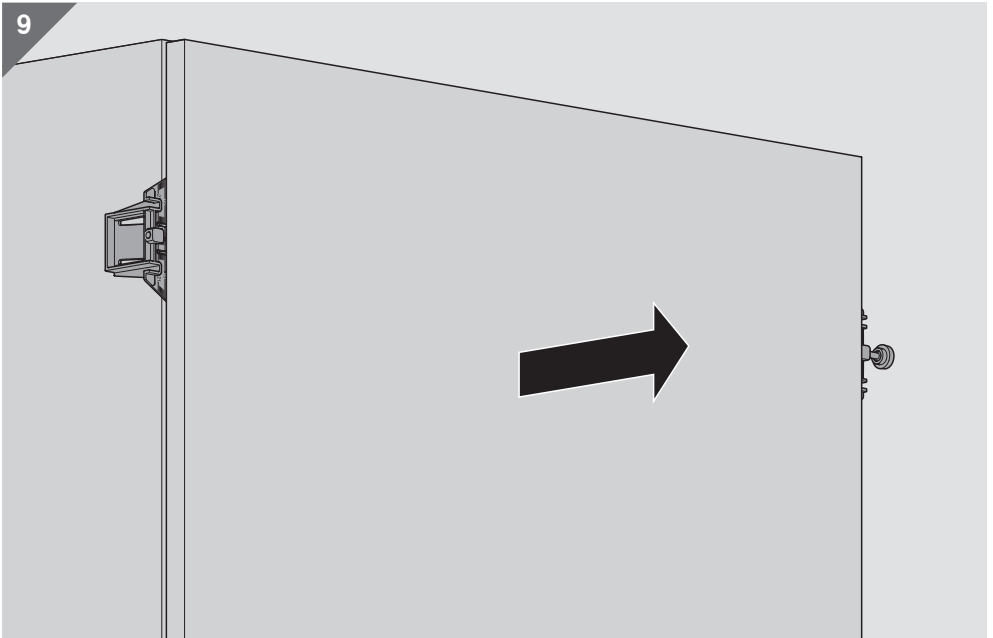


6

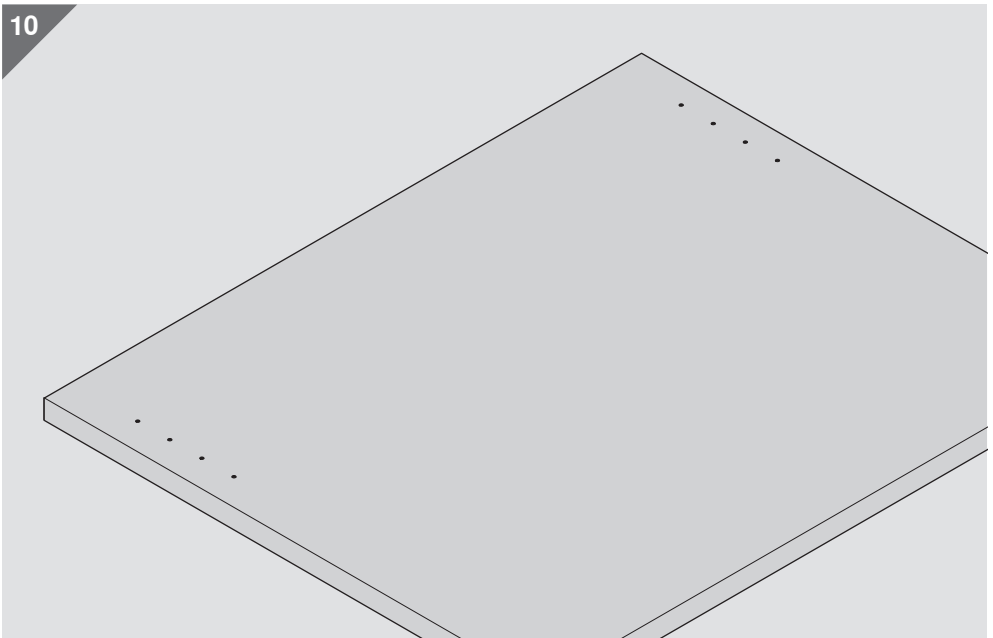




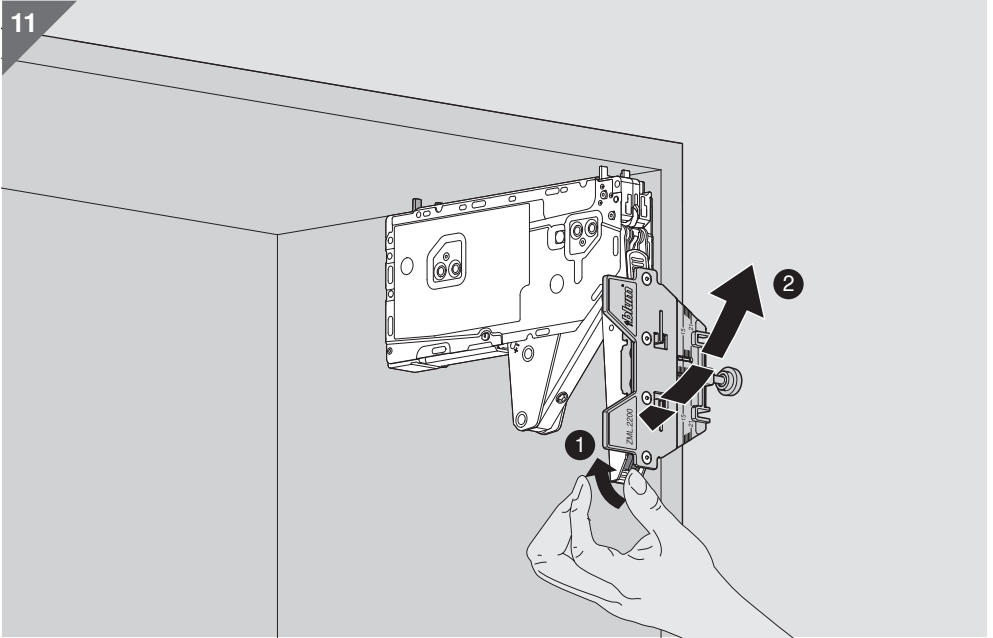
9



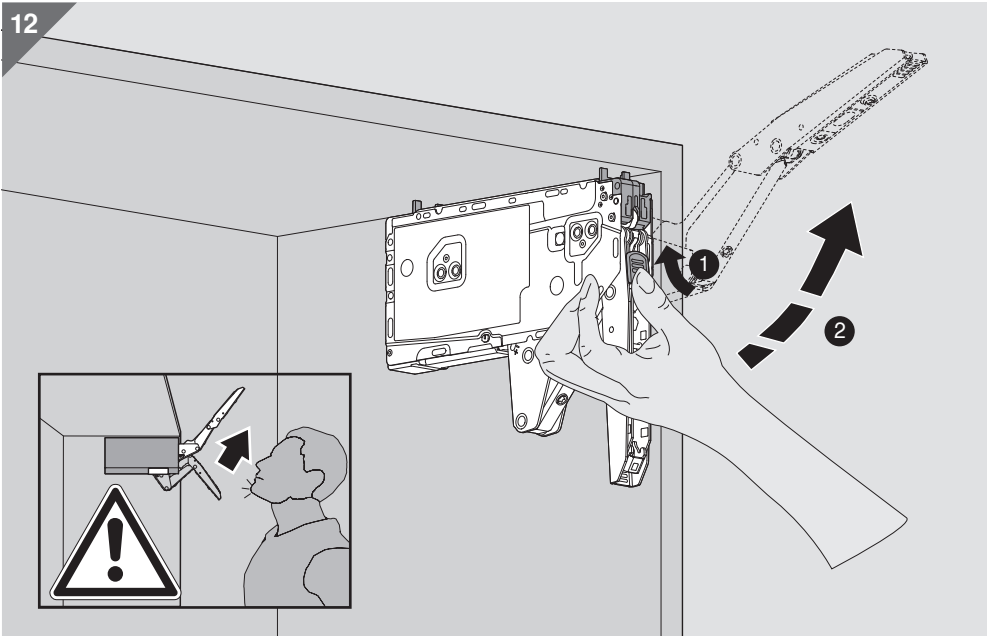
10



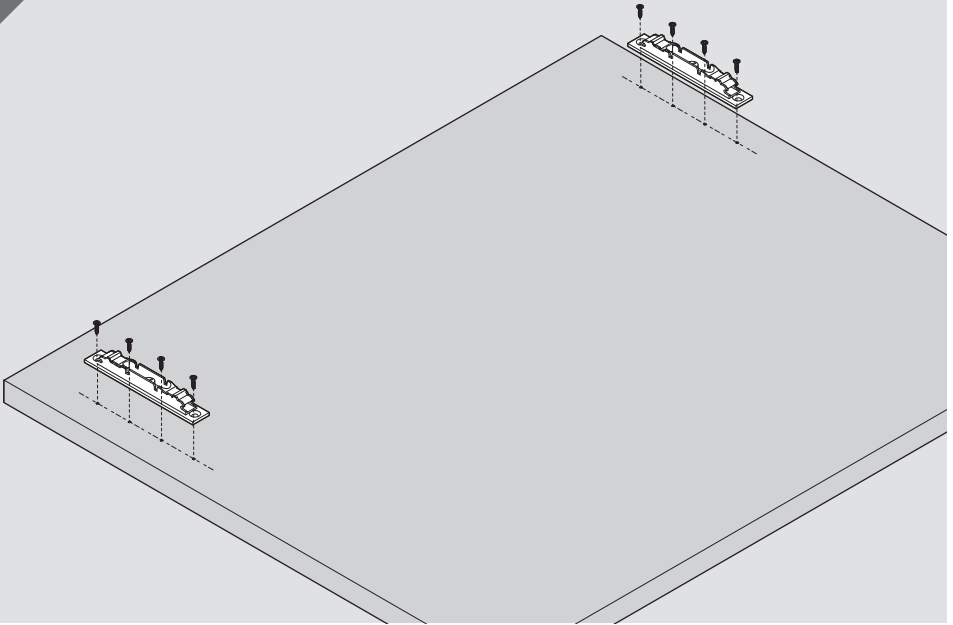
11



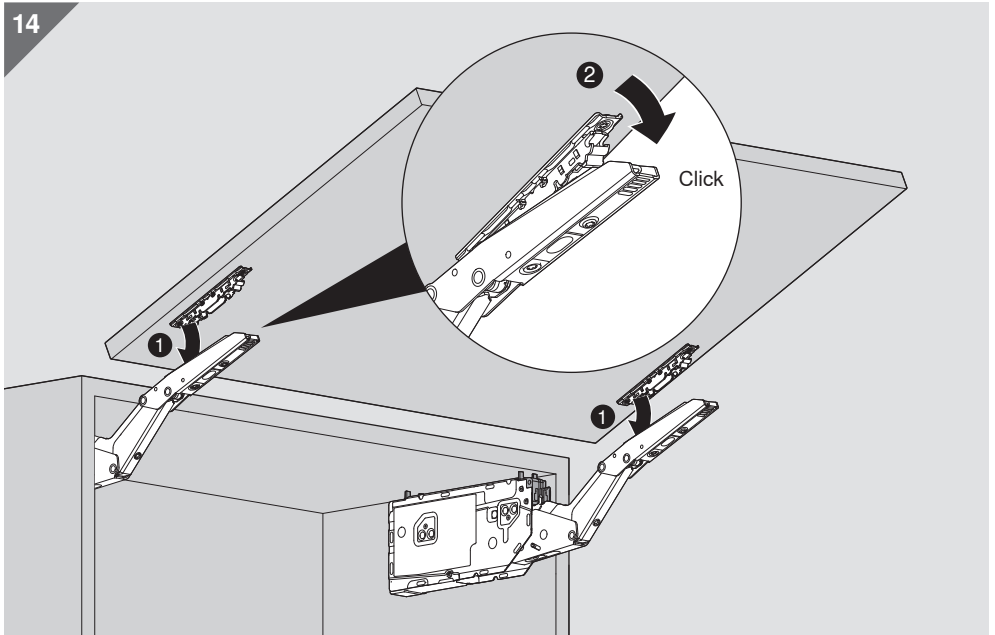
12



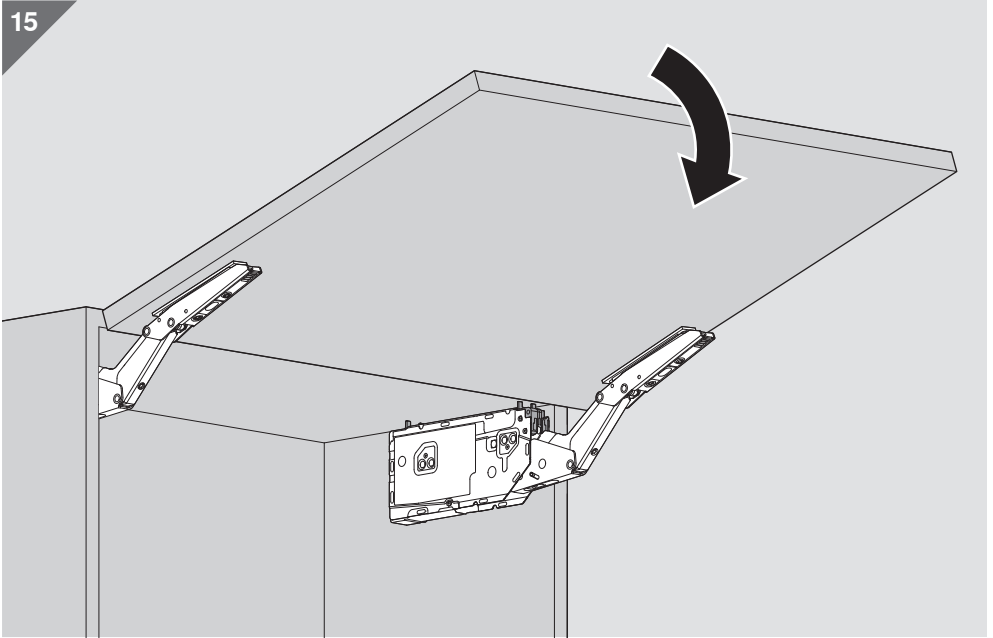
13



14



15



Julius Blum GmbH
Beschlägefabrik
6973 Höchst, Austria
Tel.: +43 5578 705-0
Fax: +43 5578 705-44
E-Mail: info@blum.com
www.blum.com



ISO 9001
Certified Quality
System



ISO 14001
Certified Environmental
System



ISO 50001
Certified Energy
System

The Blum logo, consisting of a stylized arrow pointing upwards and to the right, followed by the word "blum" in a bold, lowercase, sans-serif font, with a registered trademark symbol (®) to the upper right.